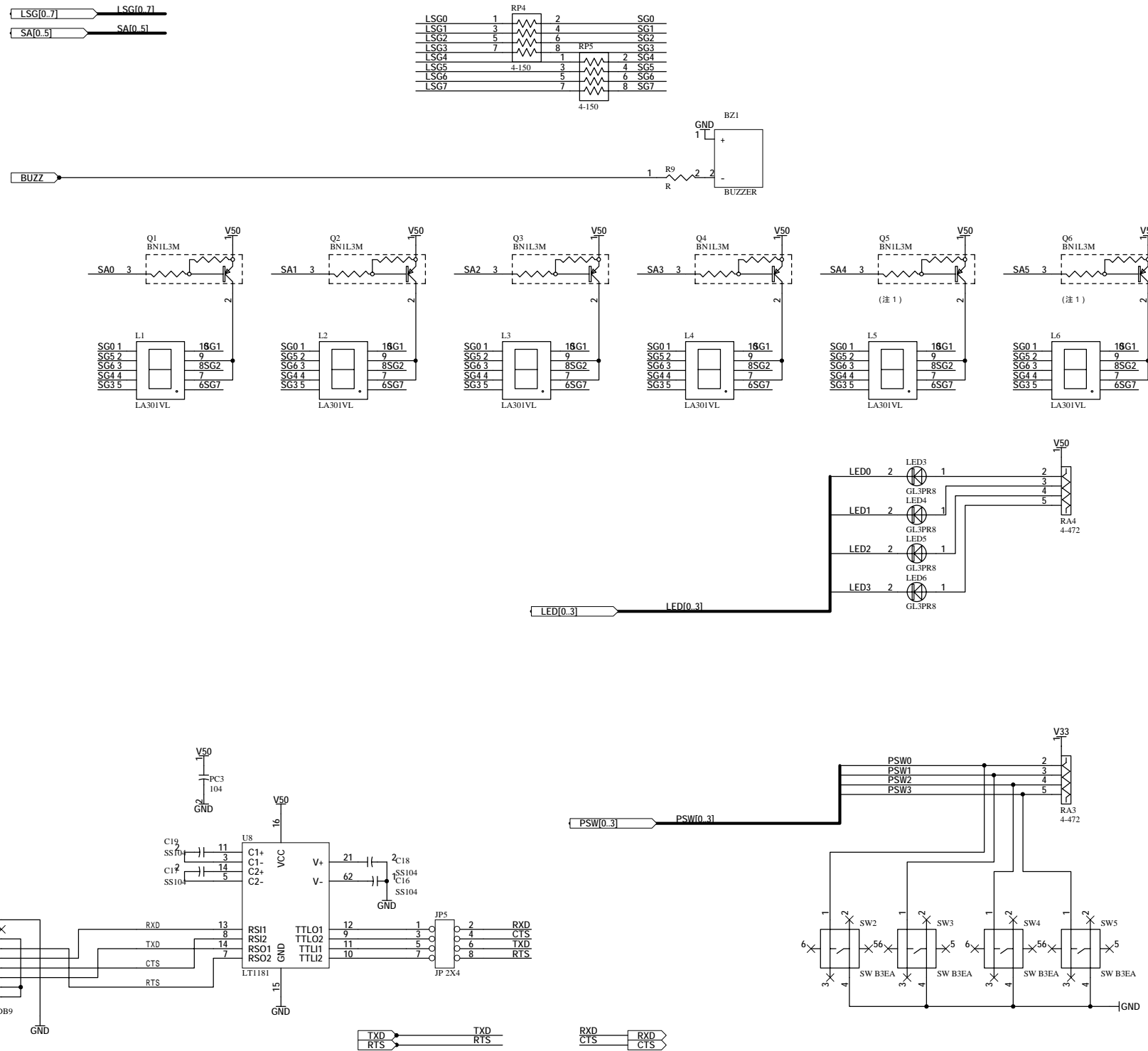
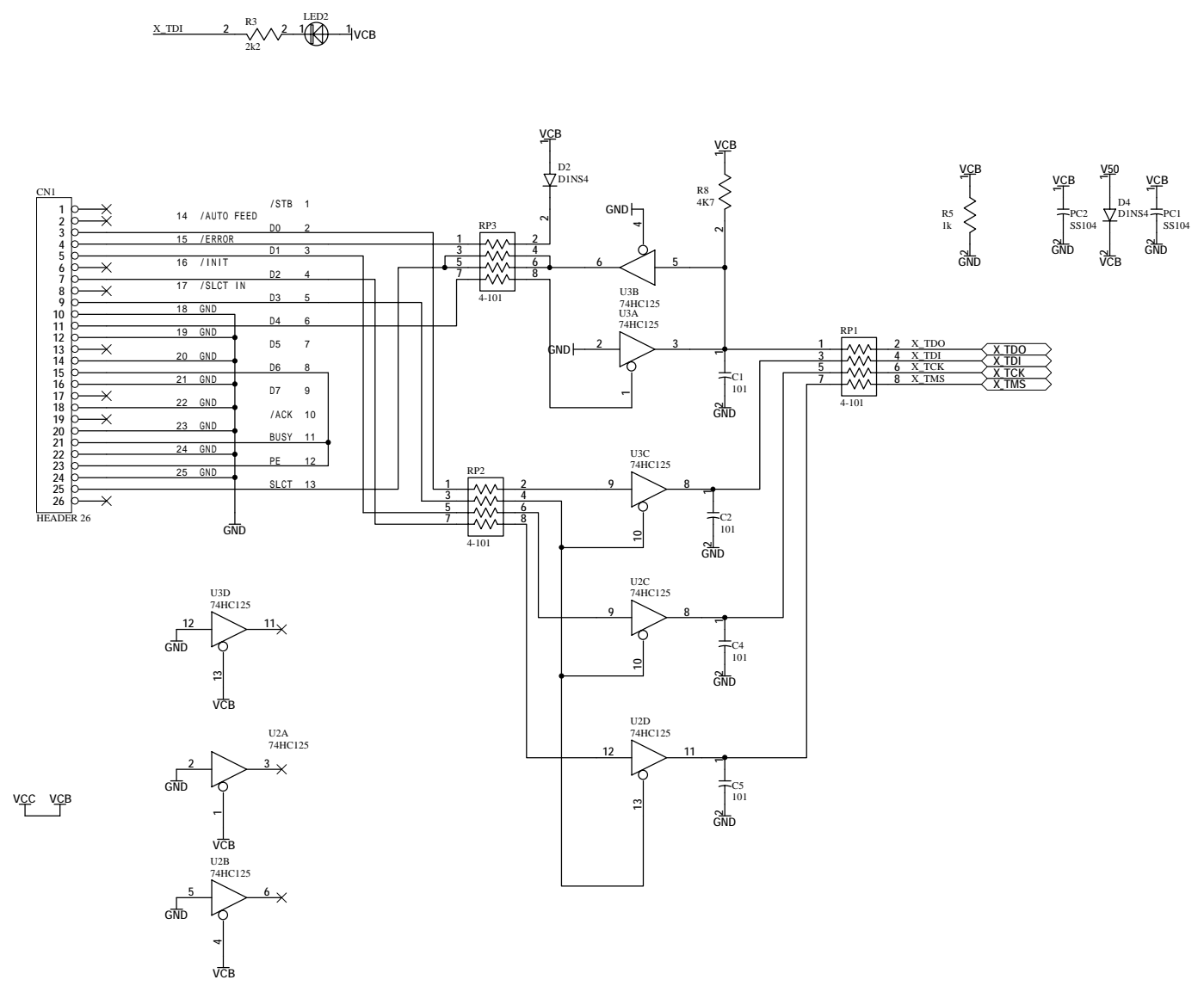


		Spartan2 TRAINING BOARD		DOC. No.	XSP-006	B	
							Date:





HUMAN DATA	-----		
	Spartan2 TRAINING BOARD		
有限会社ヒューマンデータ	DOC. No.	XSP-006	B
Date: 6-Mar-2001 18:04:10	File: dlc.sch	Sheet 3 of 3	