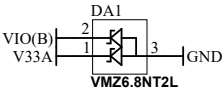
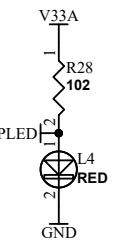
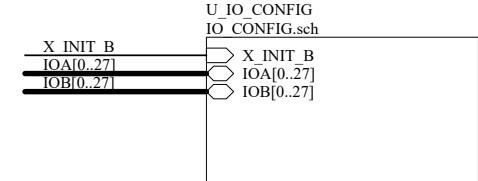


[POWER]



CNA	
1	V33A
2	V33
3	V50
4	V50
5	GND
6	GND
7	GND
8	IOA0
9	IOA1
10	IOA2
11	IOA3
12	IOA4
13	IOA5
14	IOA6
15	IOA7
16	GND
17	GND
18	IOA8
19	IOA9
20	IOA10
21	IOA11
22	IOA12
23	IOA13
24	IOA14
25	IOA15
26	GND
27	GND
28	IOA16
29	IOA17
30	IOA18
31	IOA19
32	IOA20
33	IOA21
34	IOA22
35	IOA23
36	GND
37	GND
38	IOA24
39	IOA25
40	IOA26
41	IOA27

CNB	
1	VIO(B)
2	VIO(B)
3	V50
4	GND
5	GND
6	GND
7	IOB0
8	IOB1
9	IOB2
10	IOB3
11	IOB4
12	IOB5
13	IOB6
14	IOB7
15	GND
16	GND
17	IOB8
18	IOB9
19	IOB10
20	IOB11
21	IOB12
22	IOB13
23	IOB14
24	IOB15
25	GND
26	GND
27	IOB16
28	IOB17
29	IOB18
30	IOB19
31	IOB20
32	IOB21
33	IOB22
34	IOB23
35	GND
36	GND
37	IOB24
38	IOB25
39	IOB26
40	IOB27

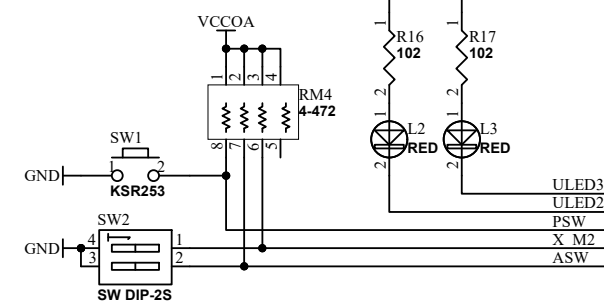
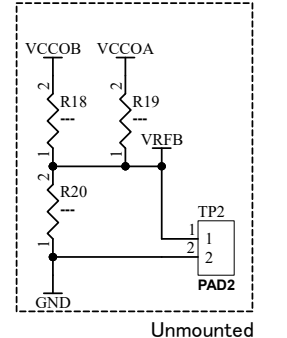
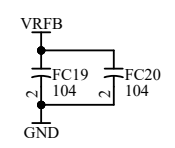
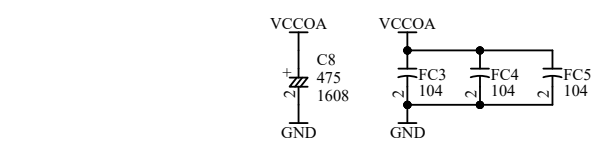
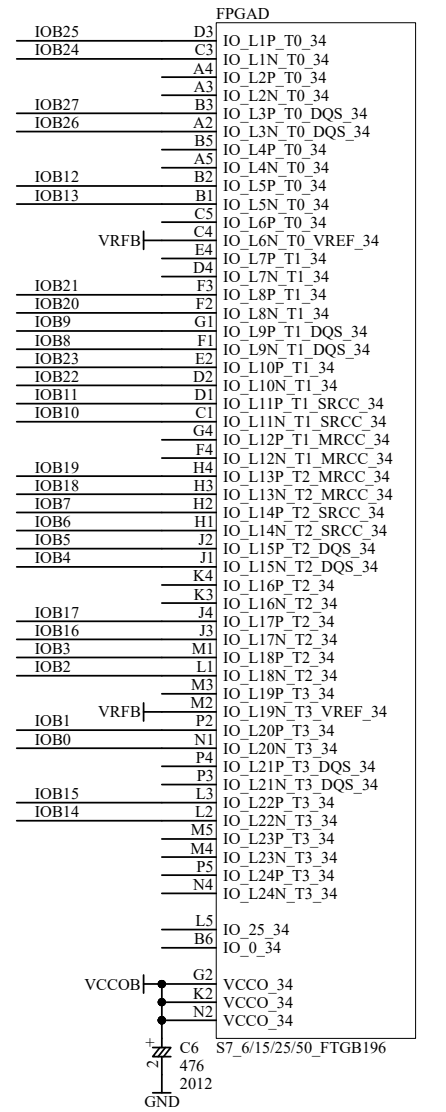
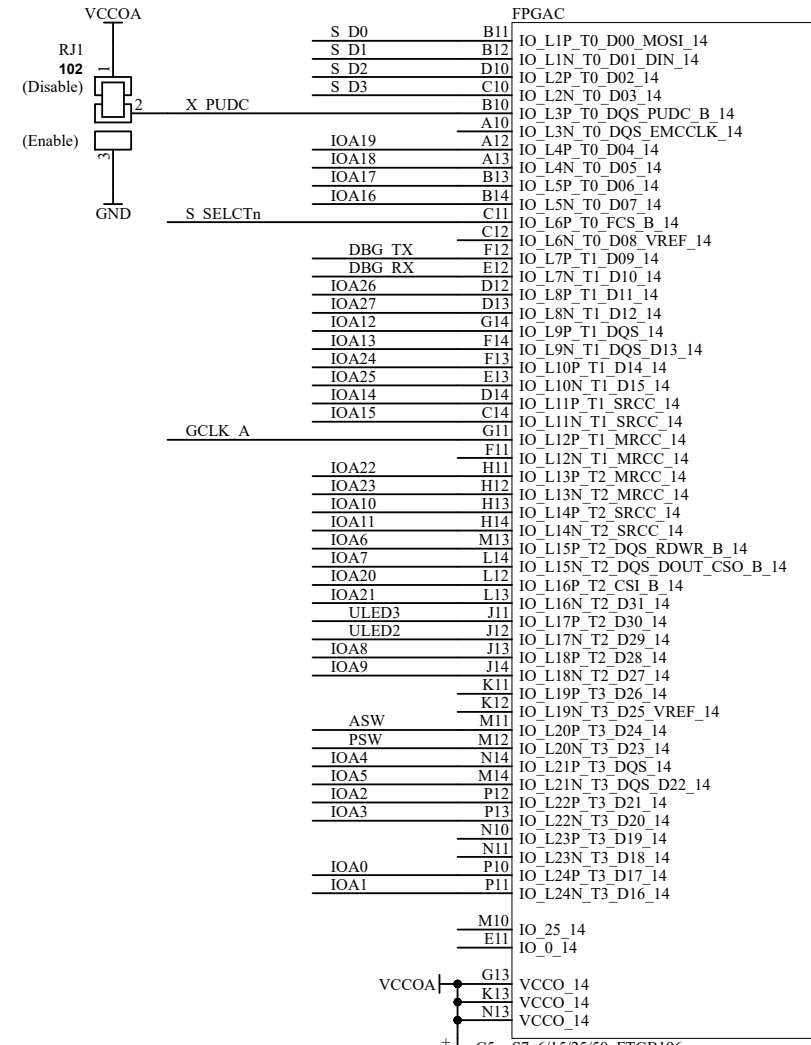
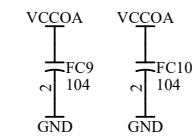
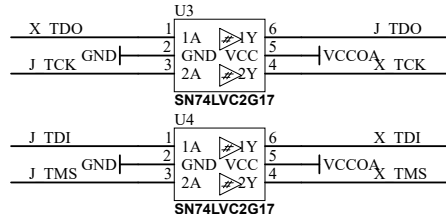
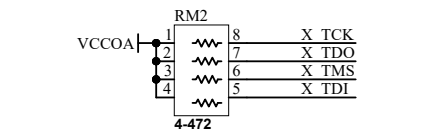
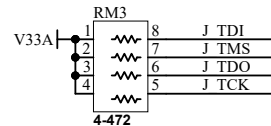
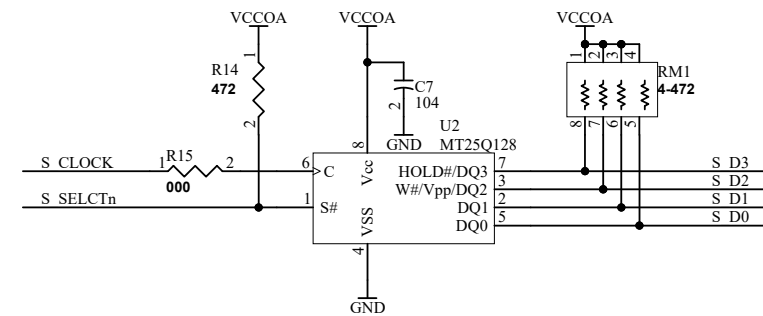
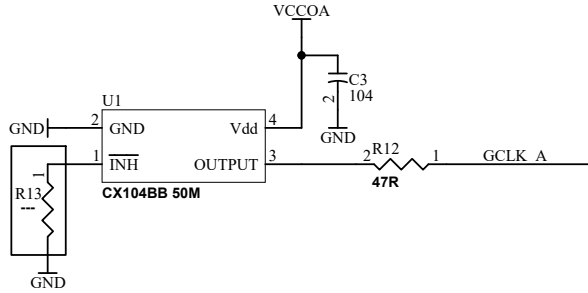
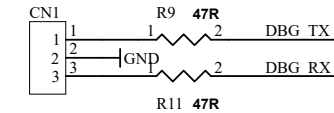
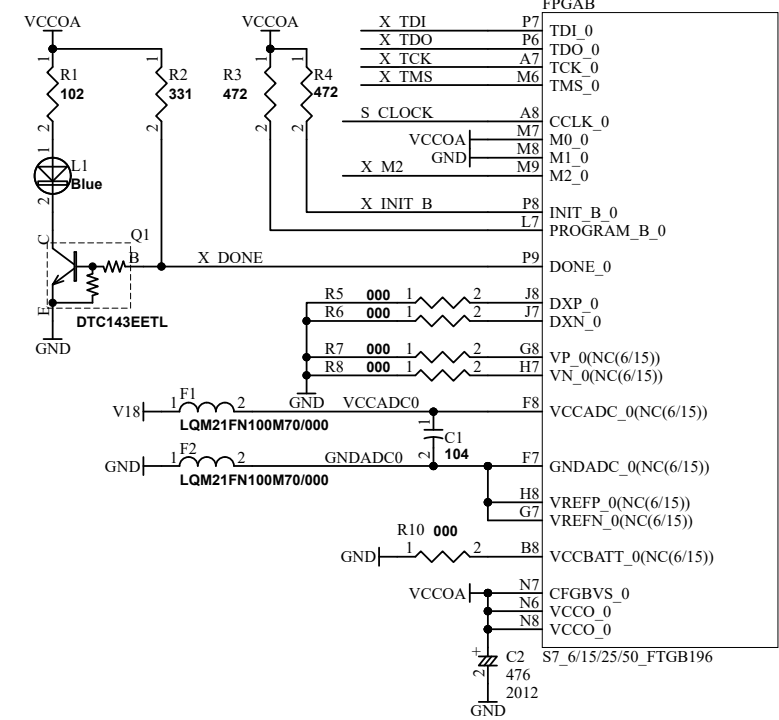
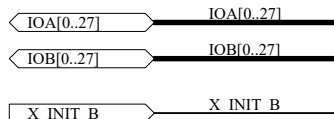


XCM308R2-SCH-B2.pdf

HUMANDATA
 HuMANDATA LTD.
www.hdl.co.jp/ (Japan)
www2.hdl.co.jp/en/ (Global)

DSN:	TITLE: SPARTAN-7 FTGB196 FPGA Board
DOC. No:	XCM-308
FILE: XCM308B.sch	DATE: 2024/02/28 15:37:18
Sheet: 1 / 2	B2

V7_20200731



OFF:JTAG
ON:SPI

XCM308R2-SCH-B2.pdf

HUMANDATA
HuMANDATA LTD.
www.hdl.co.jp/ (Japan)
www2.hdl.co.jp/en/ (Global)

DSN:	TITLE: SPARTAN-7 FTGB196 FPGA Board
DOC. No:	XCM-308
FILE: IO_CONFIG.sch	DATE: 2024/02/28 15:37:19
Sheet: 2 / 2	B2