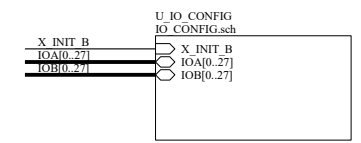
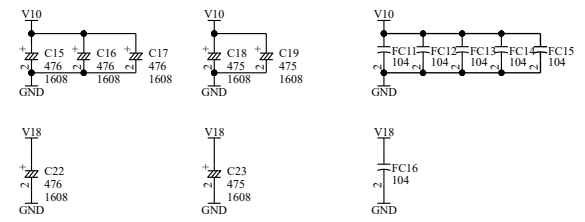
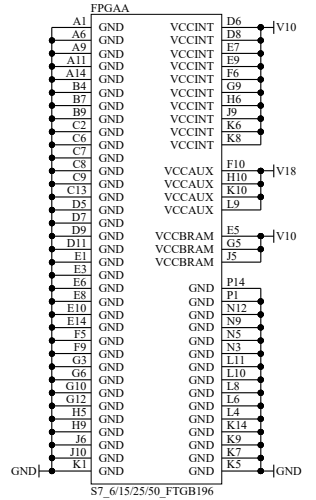
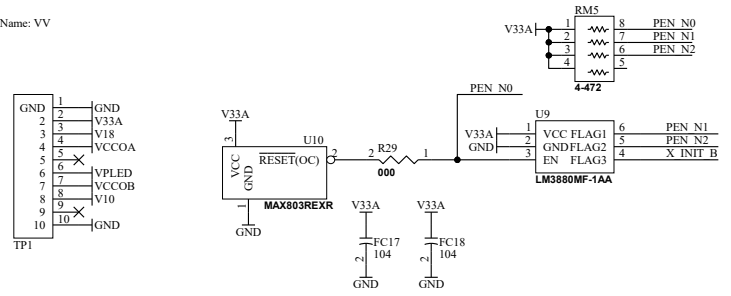


CNA	CNB
1 V33	1 VIO(B)
2 V33	2 VIO(B)
3 V50	3 V50
4 V50	4 V50
5 V50	5 GND
6 GND	6 GND
7 IOA0	7 IOB0
8 IOA1	8 IOB1
9 IOA2	9 IOB2
10 IOA3	10 IOB3
11 IOA4	11 IOB4
12 IOA5	12 IOB5
13 IOA6	13 IOB6
14 IOA7	14 IOB7
15 GND	15 GND
16 GND	16 GND
17 IOA8	17 IOB8
18 IOA9	18 IOB9
19 IOA10	19 IOB10
20 IOA11	20 IOB11
21 IOA12	21 IOB12
22 IOA13	22 IOB13
23 IOA14	23 IOB14
24 IOA15	24 IOB15
25 GND	25 GND
26 GND	26 GND
27 IOA16	27 IOB16
28 IOA17	28 IOB17
29 IOA18	29 IOB18
30 IOA19	30 IOB19
31 IOA20	31 IOB20
32 IOA21	32 IOB21
33 IOA22	33 IOB22
34 IOA23	34 IOB23
35 GND	35 GND
36 GND	36 GND
37 IOA24	37 IOB24
38 IOA25	38 IOB25
39 IOA26	39 IOB26
40 IOA27	40 IOB27

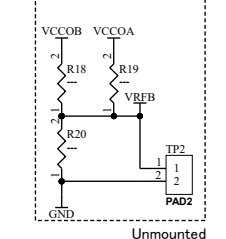
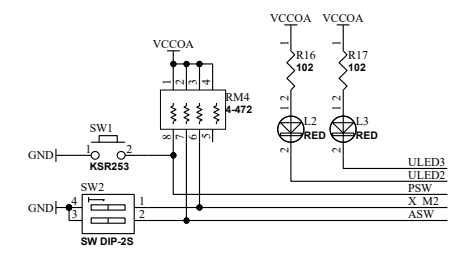
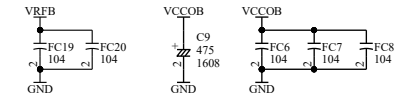
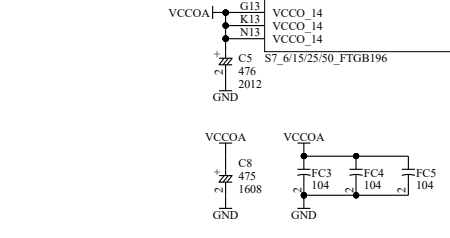
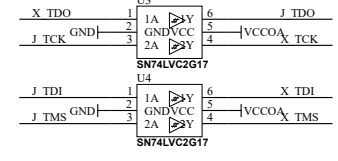
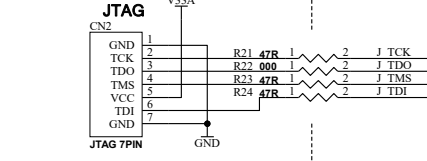
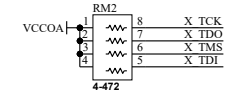
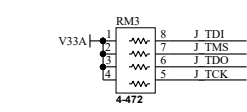
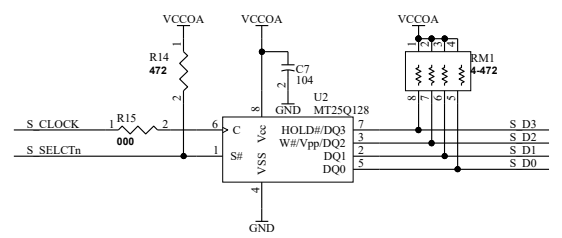
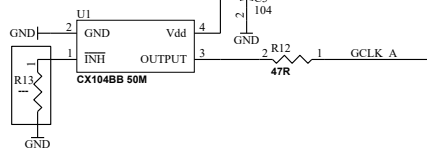
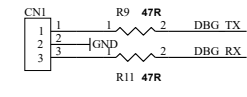
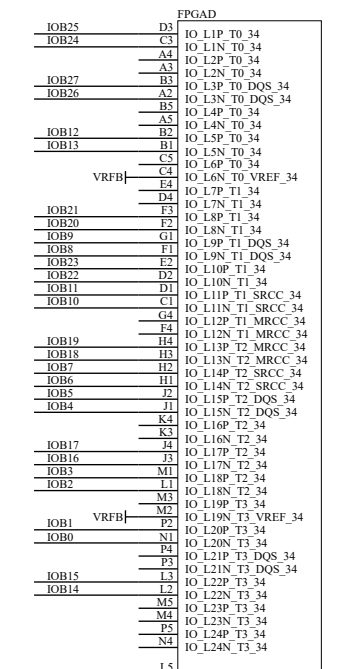
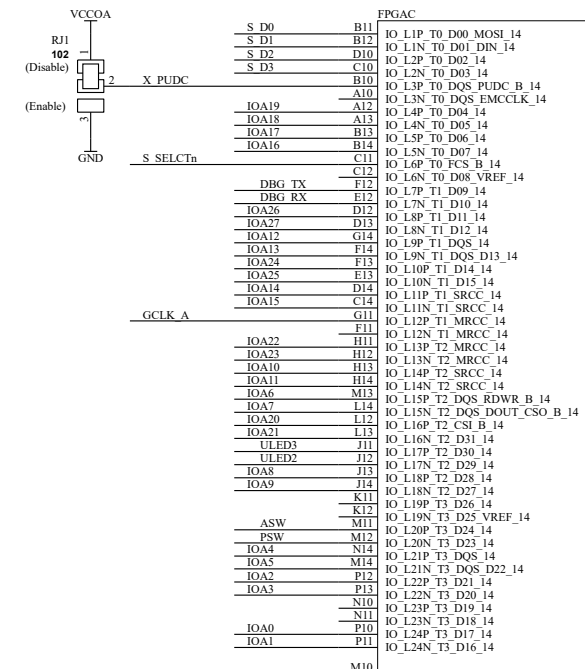
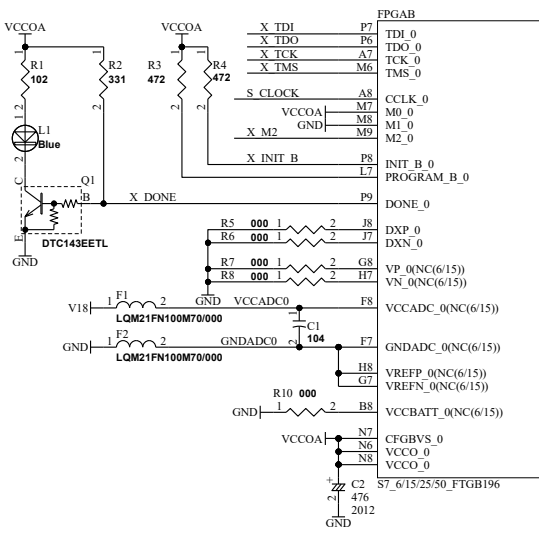
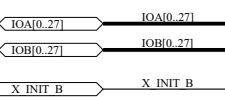
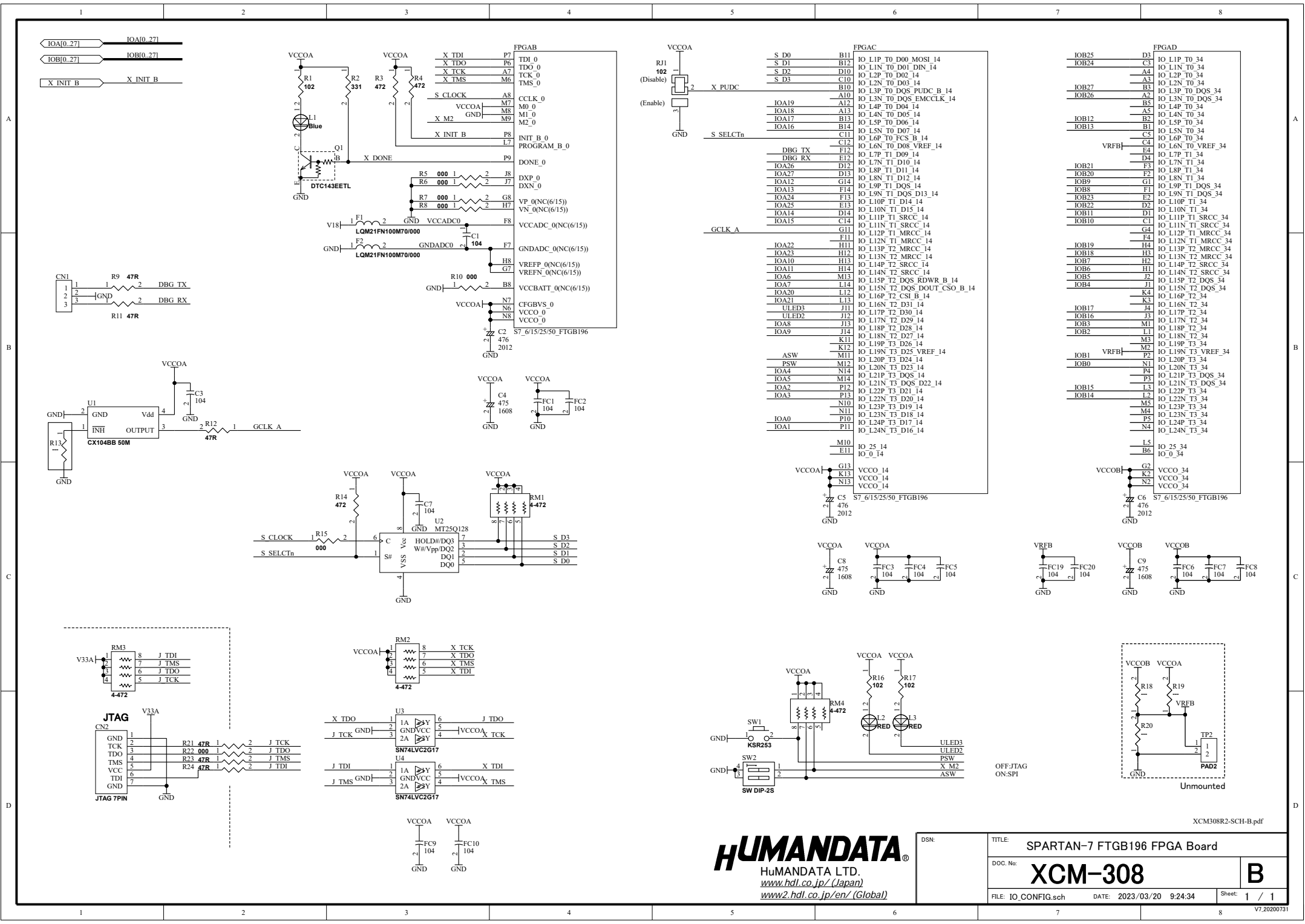


ClassName: VV



DSN:	TITLE: SPARTAN-7 FTGB196 FPGA Board
DOC. No:	XCM-308
FILE: XCM308B.sch	DATE: 2023/03/20 9:24:33
Sheet: 1 / 2	B

XCM308R2-SCH-B.pdf



HUMANDATA
 HuMANDATA LTD.
www.hdl.co.jp/ (Japan)
www2.hdl.co.jp/en/ (Global)

DSN:	TITLE: SPARTAN-7 FTGB196 FPGA Board
DOC. No:	XCM-308
FILE: IO_CONFIG.sch	DATE: 2023/03/20 9:24:34
Sheet: 1 / 1	B