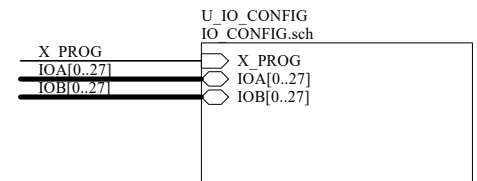


[POWER]

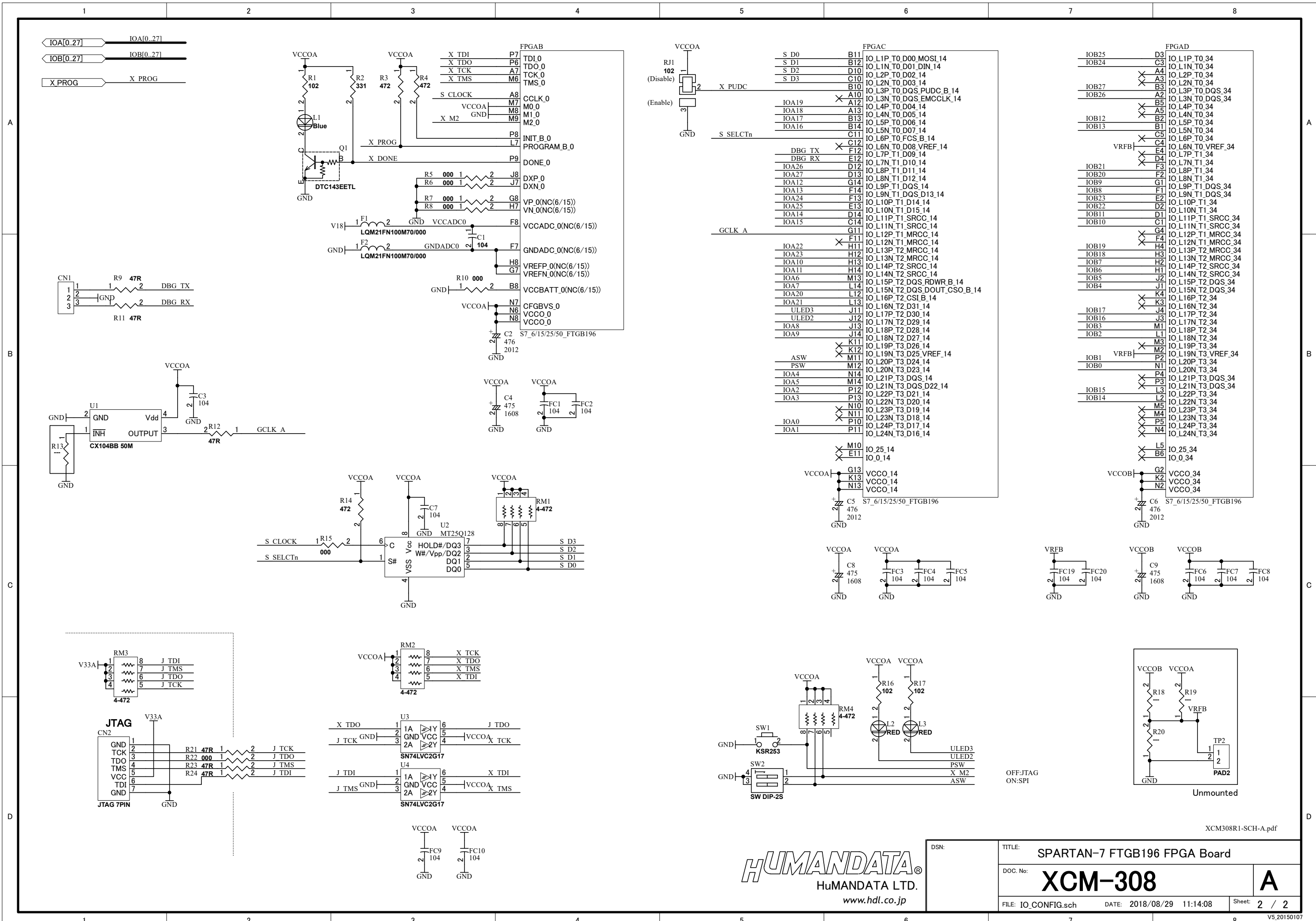
V33A	1	V33
V33A	2	V33
V33A	3	V33
V33A	4	V50
V33A	5	V50
V33A	6	GND
V33A	7	GND
V33A	8	GND
V33A	9	GND
V33A	10	GND
V33A	11	GND
V33A	12	GND
V33A	13	GND
V33A	14	GND
V33A	15	GND
V33A	16	GND
V33A	17	GND
V33A	18	GND
V33A	19	GND
V33A	20	GND
V33A	21	GND
V33A	22	GND
V33A	23	GND
V33A	24	GND
V33A	25	GND
V33A	26	GND
V33A	27	GND
V33A	28	GND
V33A	29	GND
V33A	30	GND
V33A	31	GND
V33A	32	GND
V33A	33	GND
V33A	34	GND
V33A	35	GND
V33A	36	GND
V33A	37	GND
V33A	38	GND
V33A	39	GND
V33A	40	GND

A1	GND	VCCINT	D6	V10
A6	GND	VCCINT	D8	V10
A9	GND	VCCINT	E7	V10
A11	GND	VCCINT	E9	V10
A14	GND	VCCINT	F6	V10
B4	GND	VCCINT	G9	V10
B7	GND	VCCINT	H6	V10
B9	GND	VCCINT	J9	V10
C2	GND	VCCINT	K6	V10
C7	GND	VCCINT	K8	V10
C8	GND	VCCINT	K8	V10
C9	GND	VCCINT	K8	V10
C13	GND	VCCINT	K8	V10
D5	GND	VCCINT	K8	V10
D7	GND	VCCINT	K8	V10
D9	GND	VCCINT	K8	V10
D11	GND	VCCINT	K8	V10
E1	GND	VCCINT	K8	V10
E3	GND	VCCINT	K8	V10
E6	GND	VCCINT	K8	V10
E8	GND	VCCINT	K8	V10
E10	GND	VCCINT	K8	V10
E14	GND	VCCINT	K8	V10
F5	GND	VCCINT	K8	V10
F9	GND	VCCINT	K8	V10
G3	GND	VCCINT	K8	V10
G6	GND	VCCINT	K8	V10
G10	GND	VCCINT	K8	V10
G12	GND	VCCINT	K8	V10
H5	GND	VCCINT	K8	V10
H9	GND	VCCINT	K8	V10
J6	GND	VCCINT	K8	V10
J10	GND	VCCINT	K8	V10
K1	GND	VCCINT	K8	V10
K11	GND	VCCINT	K8	V10



DSN:	TITLE: SPARTAN-7 FTGB196 FPGA Board
DOC. No:	XCM-308
FILE: XCM308A.sch	DATE: 2018/08/29 11:14:08
Sheet: 1 / 2	

XCM308R1-SCH-A.pdf



DSN:	TITLE: SPARTAN-7 FTGB196 FPGA Board
DOC. No: <b>XCM-308</b>	<b>A</b>
FILE: IO_CONFIG.sch	DATE: 2018/08/29 11:14:08
Sheet: 2 / 2	V5.20150107

XCM308R1-SCH-A.pdf