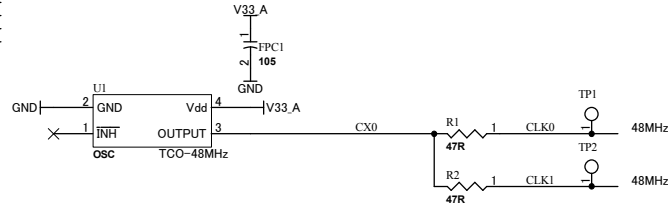
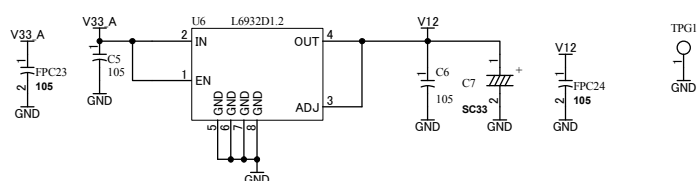
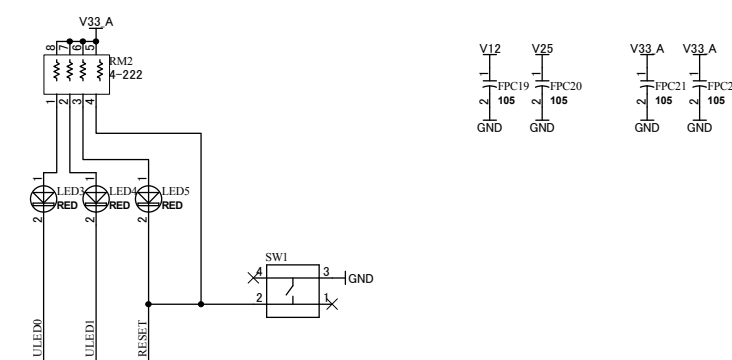
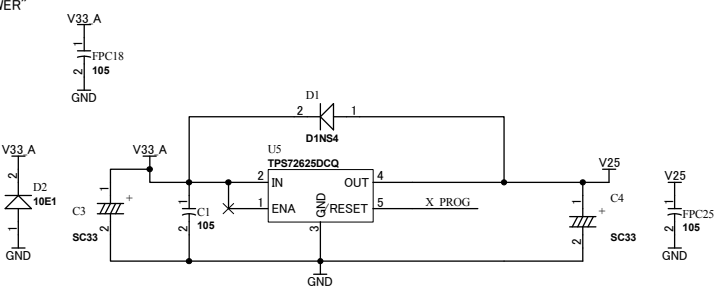
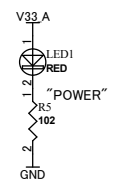
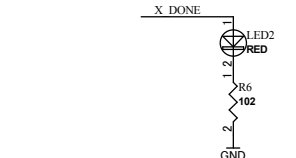
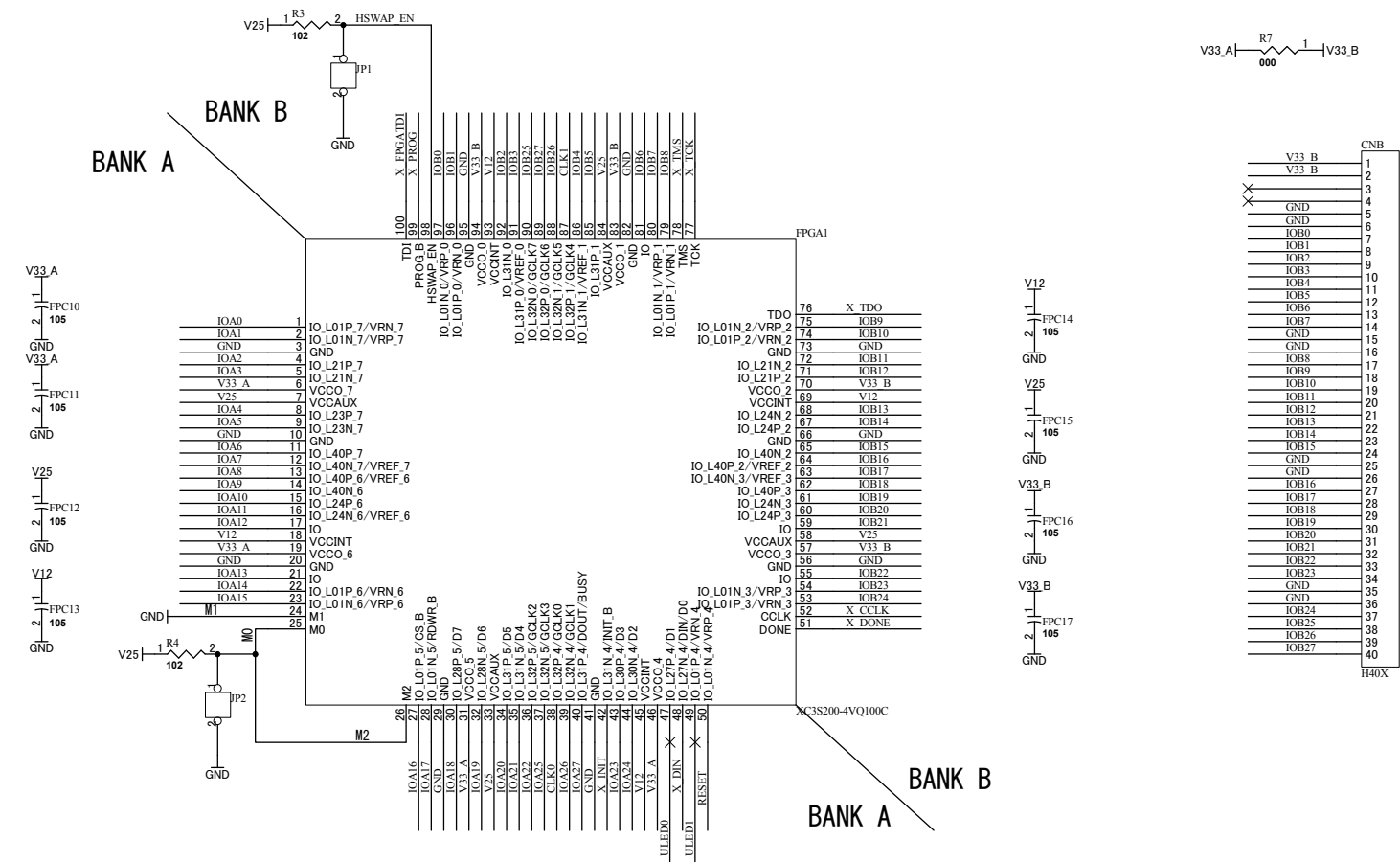
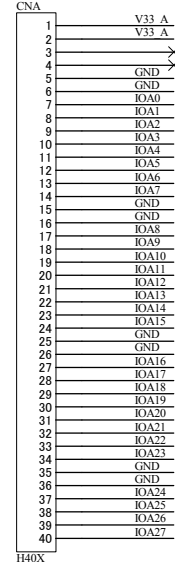
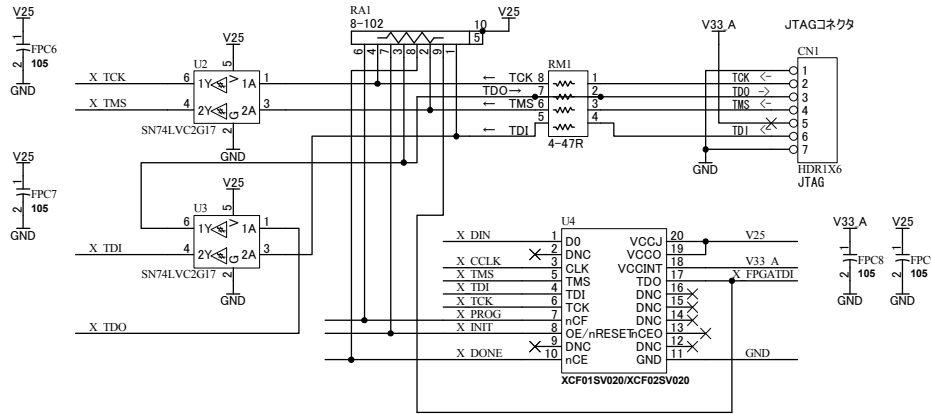
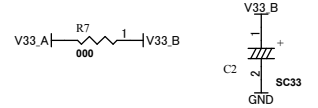


V12 V12
 V25 V25
 V33 A V33 A
 V50 V50
 GND GND



V33.B V33.B V12 V25
 GND GND GND GND



	2005/12/5	-----	
	HuMANDATA LTD. OSAKA JAPAN www.hdl.co.jp	SP3 VQ100 FPGA BOARD	
Date: 5-Dec-2005 18:54:23	File: XCM301A1.sch	DOC. No. XCM-301	A1
Sheet 1 of 1			