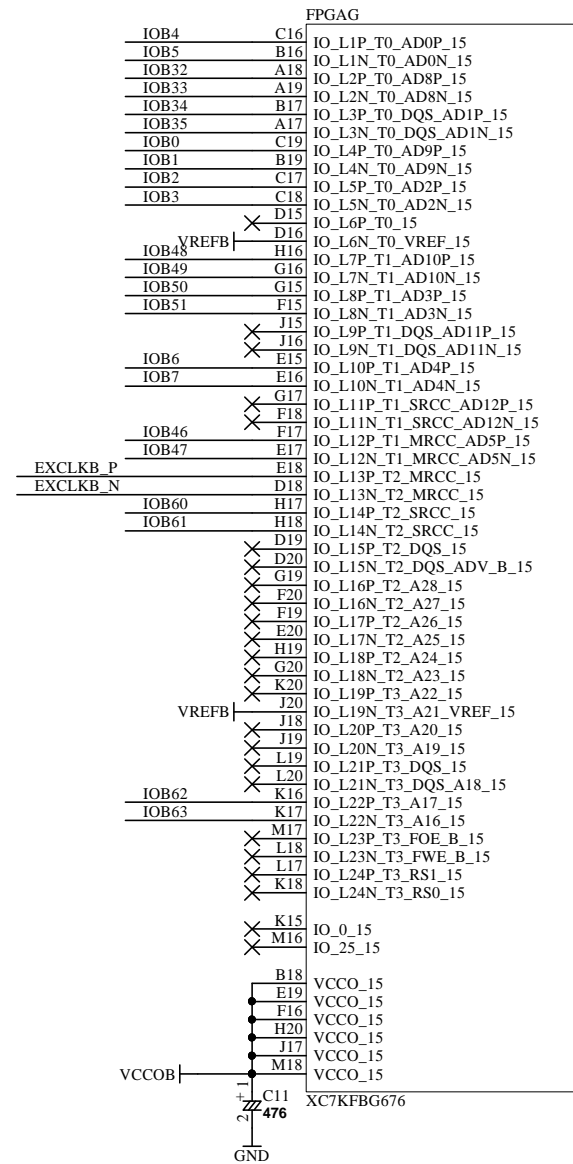
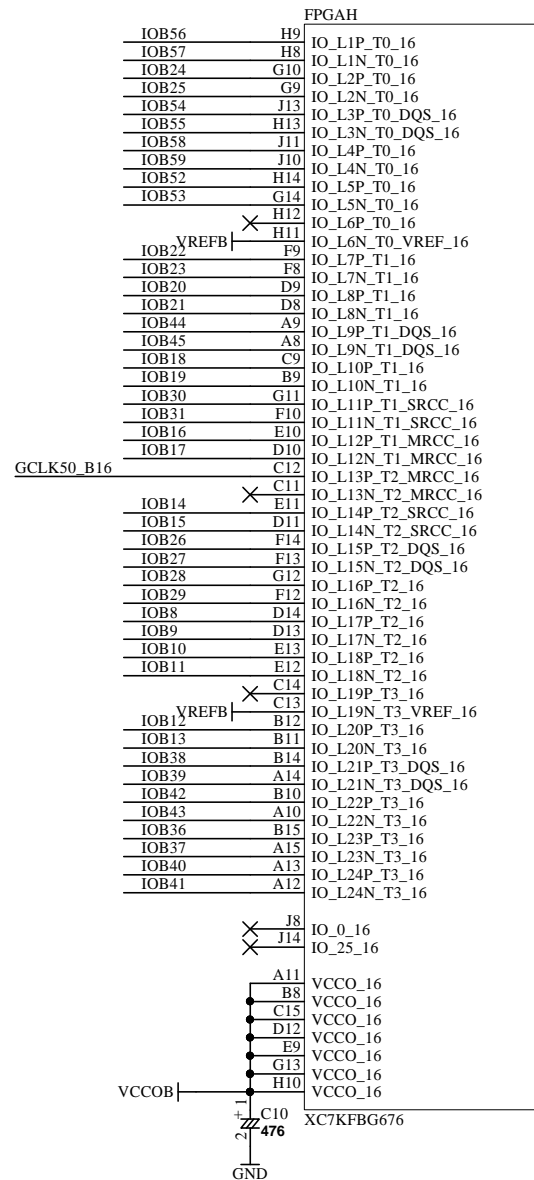
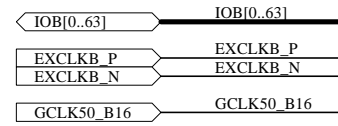
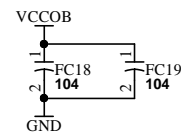
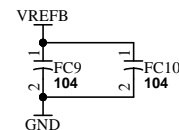
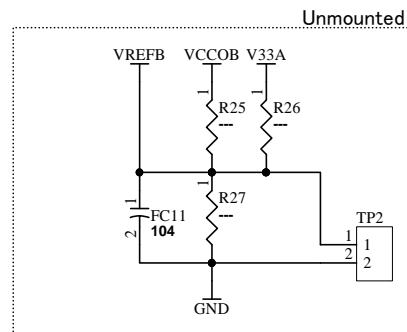


DSN:	TITLE: KINTEX-7 FBGA676 FPGA Board
DOC. No: XCM-212L	C
FILE: POWER.SchDoc	DATE: 2019/11/13 17:46:28
Sheet: 2 / 6	

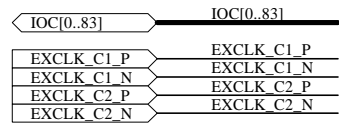
XCM212LR1-SCH-C.pdf



Bank15/Bank16
HRBank
VCCOB(1.2V-3.3V)

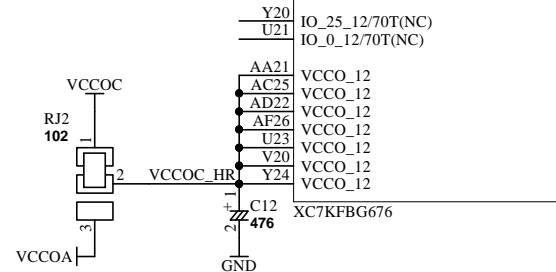


DSN:	TITLE: KINTEX-7 FBGA676 FPGA Board	
DOC. No:	XCM-212L	C
FILE: IOB.SchDoc	DATE: 2019/11/13 17:46:29	Sheet: 4 / 6



FPGAD

IOC42	U22	IO_L1P_T0_12/70T(NC)
IOC43	V22	IO_L1N_T0_12/70T(NC)
IOC18	U24	IO_L2P_T0_12/70T(NC)
IOC19	U25	IO_L2N_T0_12/70T(NC)
IOC20	V23	IO_L2N_T0_DQS_12/70T(NC)
IOC21	V24	IO_L3P_T0_DQS_12/70T(NC)
IOC0	U26	IO_L3N_T0_DQS_12/70T(NC)
IOC1	V26	IO_L4P_T0_12/70T(NC)
IOC2	W25	IO_L4N_T0_12/70T(NC)
IOC3	W26	IO_L5P_T0_12/70T(NC)
	V21	IO_L6P_T0_12/70T(NC)
	X V21	IO_L6N_T0_VREF_12/70T(NC)
IOC26	AA25	IO_L7P_T1_12/70T(NC)
IOC27	AB25	IO_L7N_T1_12/70T(NC)
IOC22	W23	IO_L8P_T1_12/70T(NC)
IOC23	W24	IO_L8N_T1_12/70T(NC)
IOC6	AB26	IO_L9P_T1_DQS_12/70T(NC)
IOC7	AC26	IO_L9N_T1_DQS_12/70T(NC)
IOC4	Y25	IO_L10P_T1_12/70T(NC)
IOC5	Y26	IO_L10N_T1_12/70T(NC)
IOC28	AA23	IO_L11P_T1_SRCC_12/70T(NC)
IOC29	AB24	IO_L11N_T1_SRCC_12/70T(NC)
IOC36	Y23	IO_L12P_T1_MRCC_12/70T(NC)
IOC37	AA24	IO_L12N_T1_MRCC_12/70T(NC)
IOC38	Y22	IO_L13P_T2_MRCC_12/70T(NC)
IOC39	AA22	IO_L13N_T2_MRCC_12/70T(NC)
IOC30	AC23	IO_L14P_T2_SRCC_12/70T(NC)
IOC31	AC24	IO_L14N_T2_SRCC_12/70T(NC)
IOC24	W20	IO_L15P_T2_DQS_12/70T(NC)
IOC25	Y21	IO_L15N_T2_DQS_12/70T(NC)
IOC40	AD23	IO_L16P_T2_12/70T(NC)
IOC41	AD24	IO_L16N_T2_12/70T(NC)
IOC32	AB22	IO_L17P_T2_12/70T(NC)
IOC33	AC22	IO_L17N_T2_12/70T(NC)
IOC34	AB21	IO_L18P_T2_12/70T(NC)
IOC35	AC21	IO_L18N_T2_12/70T(NC)
	AD21	IO_L19P_T3_12/70T(NC)
	X AE21	IO_L19N_T3_VREF_12/70T(NC)
IOC12	AF24	IO_L20P_T3_12/70T(NC)
IOC13	AF25	IO_L20N_T3_12/70T(NC)
IOC8	AD26	IO_L21P_T3_DQS_12/70T(NC)
IOC9	AE26	IO_L21N_T3_DQS_12/70T(NC)
IOC14	AE23	IO_L22P_T3_12/70T(NC)
IOC15	AF23	IO_L22N_T3_12/70T(NC)
IOC10	AD25	IO_L23P_T3_12/70T(NC)
IOC11	AE25	IO_L23N_T3_12/70T(NC)
IOC16	AE22	IO_L24P_T3_12/70T(NC)
IOC17	AF22	IO_L24N_T3_12/70T(NC)

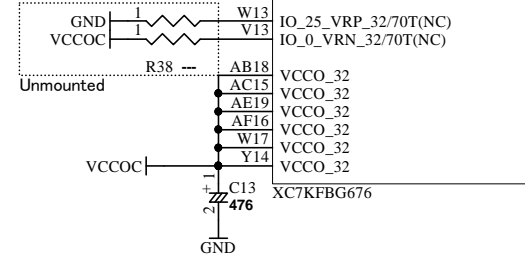


Bank12 HRBank
HR(1.2V-3.3V)

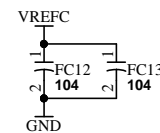
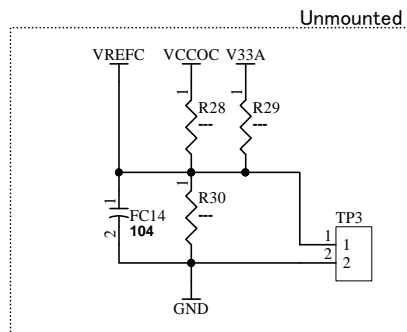
IOC can not be used at 70T device.

FPGA1

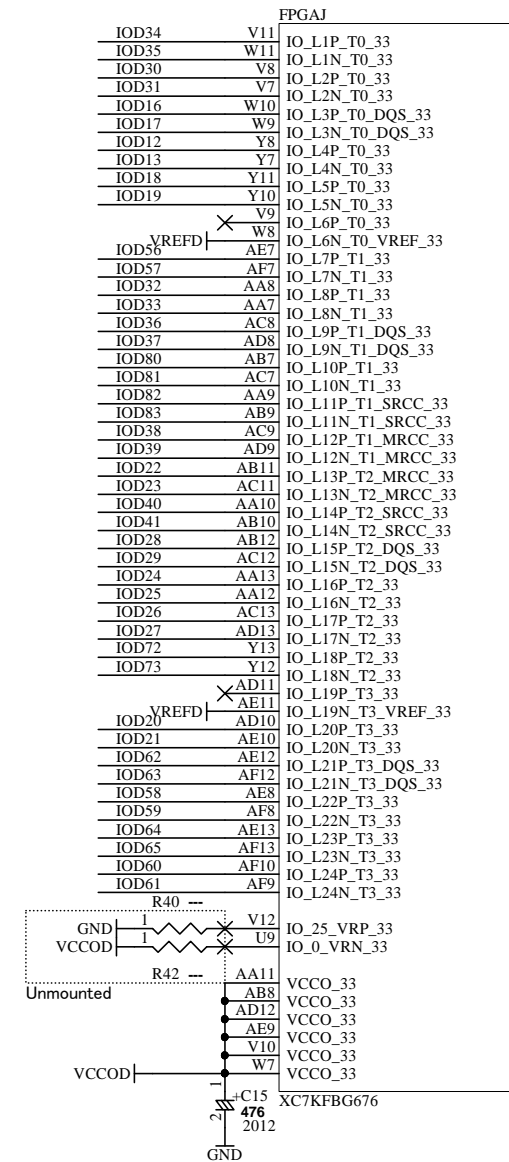
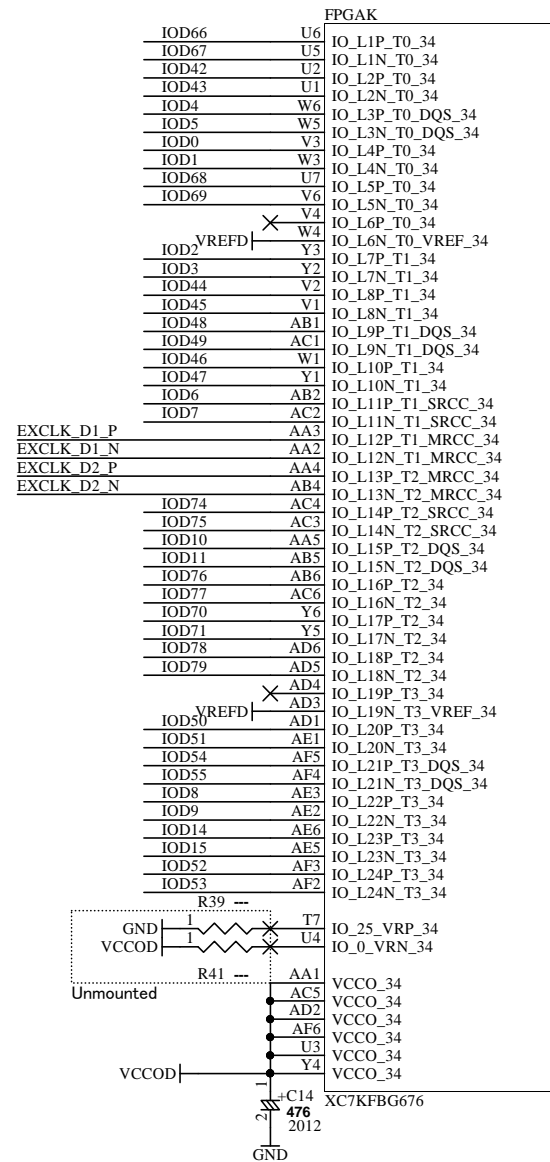
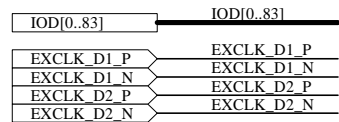
IOC56	AE17	IO_L1P_T0_32/70T(NC)
IOC57	AF17	IO_L1N_T0_32/70T(NC)
IOC58	AF14	IO_L2P_T0_32/70T(NC)
IOC59	AF15	IO_L2N_T0_32/70T(NC)
IOC54	AE18	IO_L3P_T0_DQS_32/70T(NC)
IOC55	AF18	IO_L3N_T0_DQS_32/70T(NC)
IOC66	AD15	IO_L4P_T0_32/70T(NC)
IOC67	AE15	IO_L4N_T0_32/70T(NC)
IOC52	AF19	IO_L5P_T0_32/70T(NC)
IOC53	AF20	IO_L5N_T0_32/70T(NC)
	X AD16	IO_L6P_T0_32/70T(NC)
	X AE16	IO_L6N_T0_VREF_32/70T(NC)
IOC80	AA14	IO_L7P_T1_32/70T(NC)
IOC81	AA15	IO_L7N_T1_32/70T(NC)
IOC68	AC14	IO_L8P_T1_32/70T(NC)
IOC69	AD14	IO_L8N_T1_32/70T(NC)
IOC76	Y15	IO_L9P_T1_DQS_32/70T(NC)
IOC77	Y16	IO_L9N_T1_DQS_32/70T(NC)
IOC78	AB14	IO_L10P_T1_32/70T(NC)
IOC79	AB15	IO_L10N_T1_32/70T(NC)
IOC72	AA17	IO_L11P_T1_SRCC_32/70T(NC)
IOC73	AA18	IO_L11N_T1_SRCC_32/70T(NC)
	AB16	IO_L12P_T1_MRCC_32/70T(NC)
	AC16	IO_L12N_T1_MRCC_32/70T(NC)
	AC18	IO_L13P_T2_MRCC_32/70T(NC)
	AD18	IO_L13N_T2_MRCC_32/70T(NC)
IOC74	AB17	IO_L14P_T2_SRCC_32/70T(NC)
IOC75	AC17	IO_L14N_T2_SRCC_32/70T(NC)
IOC50	AD20	IO_L15P_T2_DQS_32/70T(NC)
IOC51	AE20	IO_L15N_T2_DQS_32/70T(NC)
IOC46	AA19	IO_L16P_T2_32/70T(NC)
IOC47	AA20	IO_L16N_T2_32/70T(NC)
IOC60	AC19	IO_L17P_T2_32/70T(NC)
IOC61	AD19	IO_L17N_T2_32/70T(NC)
IOC48	AB19	IO_L18P_T2_32/70T(NC)
IOC49	AB20	IO_L18N_T2_32/70T(NC)
	Y17	IO_L19P_T3_32/70T(NC)
	X Y18	IO_L19N_T3_VREF_32/70T(NC)
IOC82	V16	IO_L20P_T3_32/70T(NC)
IOC63	V17	IO_L20N_T3_32/70T(NC)
IOC70	W18	IO_L21P_T3_DQS_32/70T(NC)
IOC71	W19	IO_L21N_T3_DQS_32/70T(NC)
IOC64	W15	IO_L22P_T3_32/70T(NC)
IOC65	W16	IO_L22N_T3_32/70T(NC)
IOC44	V18	IO_L23P_T3_32/70T(NC)
IOC45	V19	IO_L23N_T3_32/70T(NC)
IOC82	V14	IO_L24P_T3_32/70T(NC)
IOC83	W14	IO_L24N_T3_32/70T(NC)



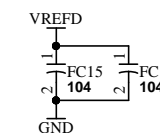
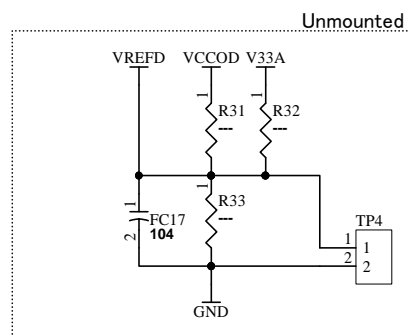
Bank32 HP Bank
HP(1.2V-1.8V)



DSN:	TITLE: KINTEX-7 FBGA676 FPGA Board
DOC. No:	XCM-212L
FILE: IOC.SchDoc	DATE: 2019/11/13 17:46:29
Sheet:	5 / 6



Bank34/Bank33
HP Bank
VCCOD(1.2V-1.8V)



XCM212LR1-SCH-C.pdf

HUMAN DATA
HuMANDATA LTD.
www.hdl.co.jp

DSN:	TITLE: KINTEX-7 FBGA676 FPGA Board
DOC. No:	XCM-212L
FILE: IOD.SchDoc	DATE: 2019/11/13 17:46:29
Sheet: 6 / 6	C