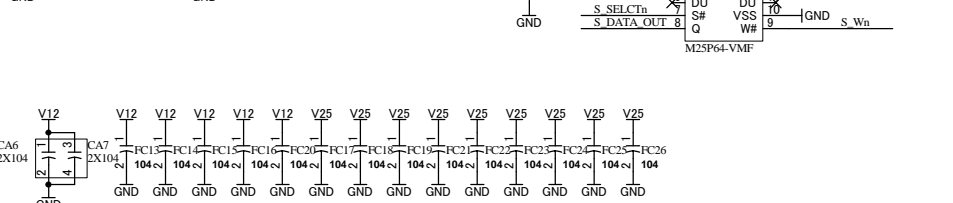
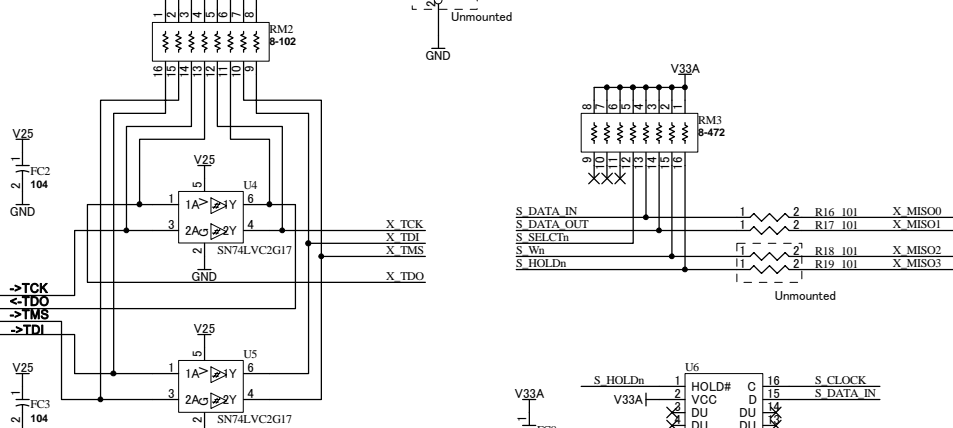
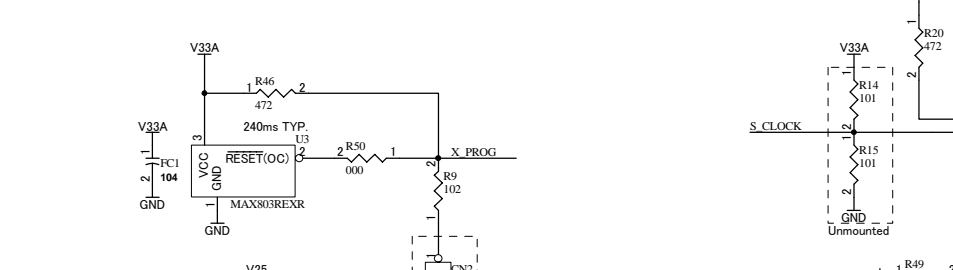
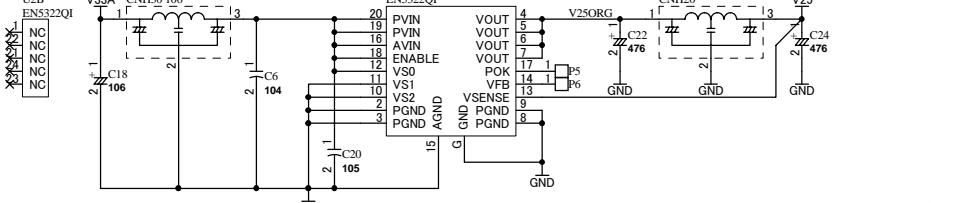
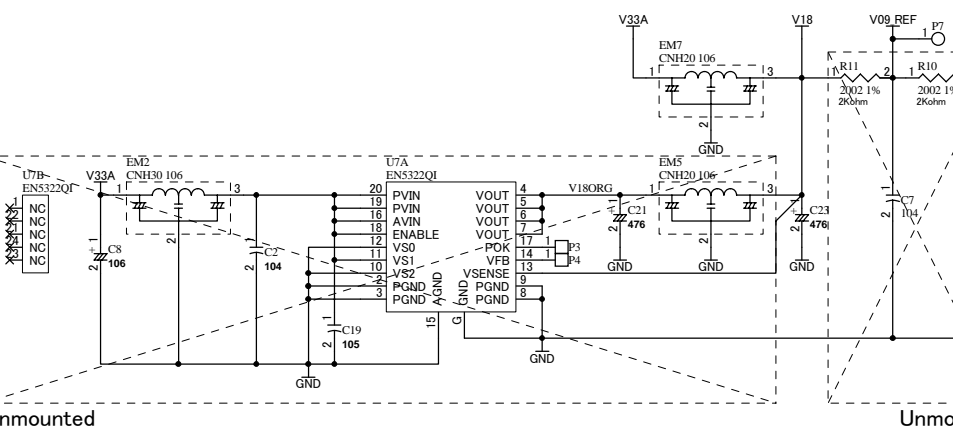
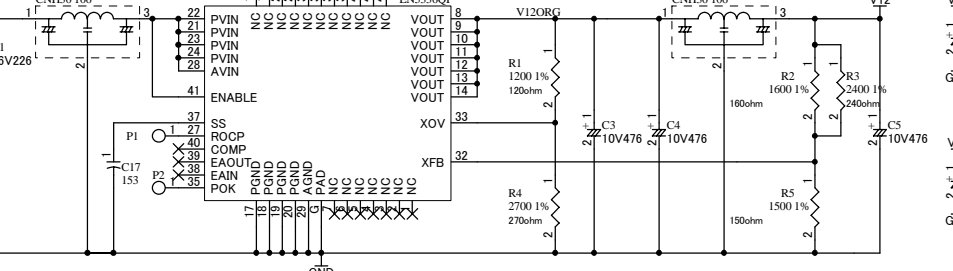
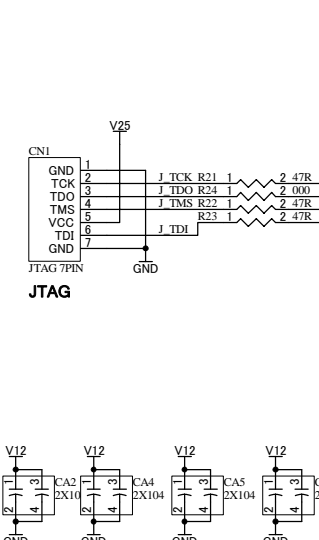
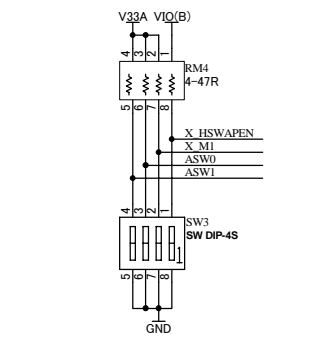
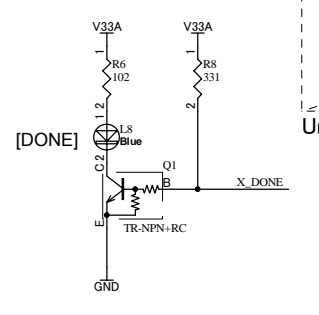
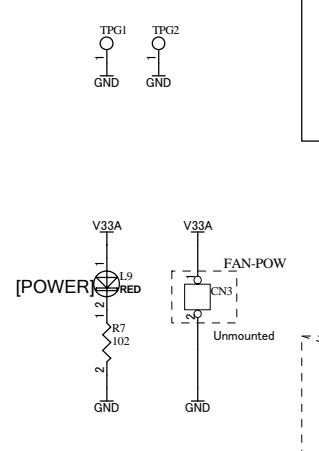


V33A V33A  
VIO(B) V25  
V25 V25  
V12 V12  
V18 V18  
V18 V18  
V09\_TTR V09\_TTR  
V09\_REF V09\_REF  
GND GND



FX10-80PHG-CNA

A1	GND	VCCINT
A2	GND	VCCINT
A3	GND	VCCINT
A4	GND	VCCINT
A5	GND	VCCINT
A6	GND	VCCINT
A7	GND	VCCINT
A8	GND	VCCINT
A9	GND	VCCINT
A10	GND	VCCINT
A11	GND	VCCINT
A12	GND	VCCINT
A13	GND	VCCINT
A14	GND	VCCINT
A15	GND	VCCINT
A16	GND	VCCINT
A17	GND	VCCINT
A18	GND	VCCINT
A19	GND	VCCINT
A20	GND	VCCINT
A21	GND	VCCINT
A22	GND	VCCINT
A23	GND	VCCINT
A24	GND	VCCINT
A25	GND	VCCINT
A26	GND	VCCINT
A27	GND	VCCINT
A28	GND	VCCINT
A29	GND	VCCINT
A30	GND	VCCINT
A31	GND	VCCINT
A32	GND	VCCINT
A33	GND	VCCINT
A34	GND	VCCINT
A35	GND	VCCINT
A36	GND	VCCINT
A37	GND	VCCINT
A38	GND	VCCINT
A39	GND	VCCINT
A40	GND	VCCINT
A41	GND	VCCINT
A42	GND	VCCINT
A43	GND	VCCINT
A44	GND	VCCINT
A45	GND	VCCINT
A46	GND	VCCINT
A47	GND	VCCINT
A48	GND	VCCINT
A49	GND	VCCINT
A50	GND	VCCINT
A51	GND	VCCINT
A52	GND	VCCINT
A53	GND	VCCINT
A54	GND	VCCINT
A55	GND	VCCINT
A56	GND	VCCINT
A57	GND	VCCINT
A58	GND	VCCINT
A59	GND	VCCINT
A60	GND	VCCINT
A61	GND	VCCINT
A62	GND	VCCINT
A63	GND	VCCINT
A64	GND	VCCINT
A65	GND	VCCINT
A66	GND	VCCINT
A67	GND	VCCINT
A68	GND	VCCINT
A69	GND	VCCINT
A70	GND	VCCINT
A71	GND	VCCINT
A72	GND	VCCINT
A73	GND	VCCINT
A74	GND	VCCINT
A75	GND	VCCINT
A76	GND	VCCINT
A77	GND	VCCINT
A78	GND	VCCINT
A79	GND	VCCINT
A80	GND	VCCINT

FX10-80PHG-CNA

A81	GND	VCCINT
A82	GND	VCCINT
A83	GND	VCCINT
A84	GND	VCCINT
A85	GND	VCCINT
A86	GND	VCCINT
A87	GND	VCCINT
A88	GND	VCCINT
A89	GND	VCCINT
A90	GND	VCCINT
A91	GND	VCCINT
A92	GND	VCCINT
A93	GND	VCCINT
A94	GND	VCCINT
A95	GND	VCCINT
A96	GND	VCCINT
A97	GND	VCCINT
A98	GND	VCCINT
A99	GND	VCCINT
A100	GND	VCCINT
A101	GND	VCCINT
A102	GND	VCCINT
A103	GND	VCCINT
A104	GND	VCCINT
A105	GND	VCCINT
A106	GND	VCCINT
A107	GND	VCCINT
A108	GND	VCCINT
A109	GND	VCCINT
A110	GND	VCCINT
A111	GND	VCCINT
A112	GND	VCCINT
A113	GND	VCCINT
A114	GND	VCCINT
A115	GND	VCCINT
A116	GND	VCCINT
A117	GND	VCCINT
A118	GND	VCCINT
A119	GND	VCCINT
A120	GND	VCCINT
A121	GND	VCCINT
A122	GND	VCCINT
A123	GND	VCCINT
A124	GND	VCCINT
A125	GND	VCCINT
A126	GND	VCCINT
A127	GND	VCCINT
A128	GND	VCCINT
A129	GND	VCCINT
A130	GND	VCCINT
A131	GND	VCCINT
A132	GND	VCCINT
A133	GND	VCCINT
A134	GND	VCCINT
A135	GND	VCCINT
A136	GND	VCCINT
A137	GND	VCCINT
A138	GND	VCCINT
A139	GND	VCCINT
A140	GND	VCCINT
A141	GND	VCCINT
A142	GND	VCCINT
A143	GND	VCCINT
A144	GND	VCCINT
A145	GND	VCCINT
A146	GND	VCCINT
A147	GND	VCCINT
A148	GND	VCCINT
A149	GND	VCCINT
A150	GND	VCCINT

FX10-100PHG-CND

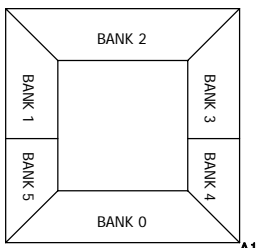
A151	GND	VCCINT
A152	GND	VCCINT
A153	GND	VCCINT
A154	GND	VCCINT
A155	GND	VCCINT
A156	GND	VCCINT
A157	GND	VCCINT
A158	GND	VCCINT
A159	GND	VCCINT
A160	GND	VCCINT
A161	GND	VCCINT
A162	GND	VCCINT
A163	GND	VCCINT
A164	GND	VCCINT
A165	GND	VCCINT
A166	GND	VCCINT
A167	GND	VCCINT
A168	GND	VCCINT
A169	GND	VCCINT
A170	GND	VCCINT
A171	GND	VCCINT
A172	GND	VCCINT
A173	GND	VCCINT
A174	GND	VCCINT
A175	GND	VCCINT
A176	GND	VCCINT
A177	GND	VCCINT
A178	GND	VCCINT
A179	GND	VCCINT
A180	GND	VCCINT
A181	GND	VCCINT
A182	GND	VCCINT
A183	GND	VCCINT
A184	GND	VCCINT
A185	GND	VCCINT
A186	GND	VCCINT
A187	GND	VCCINT
A188	GND	VCCINT
A189	GND	VCCINT
A190	GND	VCCINT
A191	GND	VCCINT
A192	GND	VCCINT
A193	GND	VCCINT
A194	GND	VCCINT
A195	GND	VCCINT
A196	GND	VCCINT
A197	GND	VCCINT
A198	GND	VCCINT
A199	GND	VCCINT
A200	GND	VCCINT

FX10-80PHG-CNB

A201	GND	VCCINT
A202	GND	VCCINT
A203	GND	VCCINT
A204	GND	VCCINT
A205	GND	VCCINT
A206	GND	VCCINT
A207	GND	VCCINT
A208	GND	VCCINT
A209	GND	VCCINT
A210	GND	VCCINT
A211	GND	VCCINT
A212	GND	VCCINT
A213	GND	VCCINT
A214	GND	VCCINT
A215	GND	VCCINT
A216	GND	VCCINT
A217	GND	VCCINT
A218	GND	VCCINT
A219	GND	VCCINT
A220	GND	VCCINT
A221	GND	VCCINT
A222	GND	VCCINT
A223	GND	VCCINT
A224	GND	VCCINT
A225	GND	VCCINT
A226	GND	VCCINT
A227	GND	VCCINT
A228	GND	VCCINT
A229	GND	VCCINT
A230	GND	VCCINT
A231	GND	VCCINT
A232	GND	VCCINT
A233	GND	VCCINT
A234	GND	VCCINT
A235	GND	VCCINT
A236	GND	VCCINT
A237	GND	VCCINT
A238	GND	VCCINT
A239	GND	VCCINT
A240	GND	VCCINT

FX10-100PHG-CND

A241	GND	VCCINT
A242	GND	VCCINT
A243	GND	VCCINT
A244	GND	VCCINT
A245	GND	VCCINT
A246	GND	VCCINT
A247	GND	VCCINT
A248	GND	VCCINT
A249	GND	VCCINT
A250	GND	VCCINT
A251	GND	VCCINT
A252	GND	VCCINT
A253	GND	VCCINT
A254	GND	VCCINT
A255	GND	VCCINT
A256	GND	VCCINT
A257	GND	VCCINT
A258	GND	VCCINT
A259	GND	VCCINT
A260	GND	VCCINT
A261	GND	VCCINT
A262	GND	VCCINT
A263	GND	VCCINT
A264	GND	VCCINT
A265	GND	VCCINT
A266	GND	VCCINT
A267	GND	VCCINT
A268	GND	VCCINT
A269	GND	VCCINT
A270	GND	VCCINT
A271	GND	VCCINT
A272	GND	VCCINT
A273	GND	VCCINT
A274	GND	VCCINT
A275	GND	VCCINT
A276	GND	VCCINT
A277	GND	VCCINT
A278	GND	VCCINT
A279	GND	VCCINT
A280	GND	VCCINT



**HUMAN DATA**

HUMAN DATA LTD.  
OSAKA JAPAN  
www.hdl.co.jp/en/(Global)  
www.hdl.co.jp/(Japan)

**SPARTAN-6 FG676 FPGA Board Rev2**

DOC. No. XCM-206Z

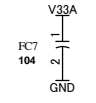
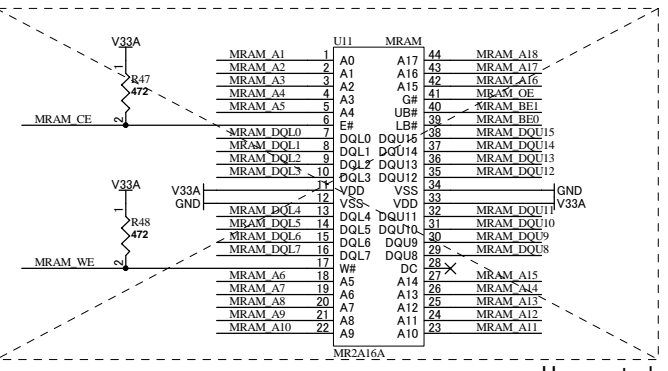
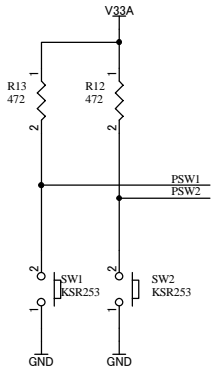
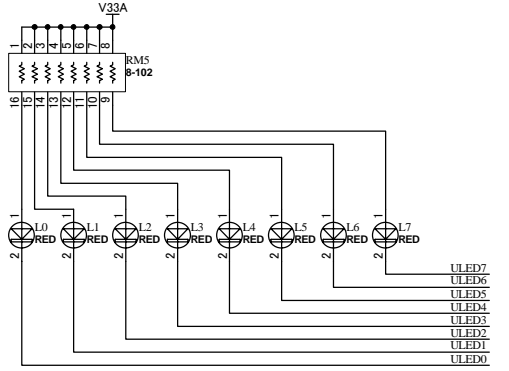
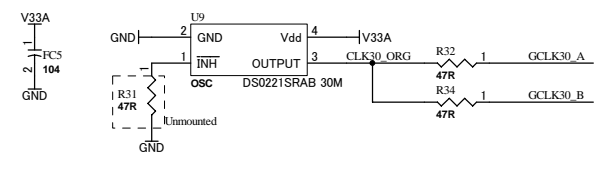
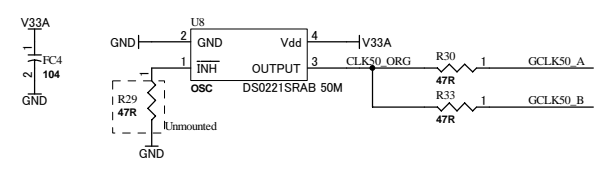
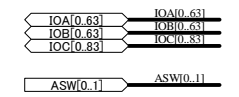
Date: 29-Sep-2011 15:22:03

File: XCM206B.sch

Sheet 1 of 3

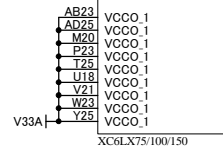
XCM206ZR2-SCH-B.pdf

V33A	V33A
VIO(B)	VIO(B)
V25	V25
V12	V12
V18	V18
V09 TTR	V09 TTR
V09 REF	V09 REF
GND	GND



FPGA

IOA41	L19	IO L28P_1
IOA40	K19	IO L28N VREF_1
IOA38	L23	IO L29P A23 MIA13_1
IOA39	L24	IO L29N A22 MIA14_1
IOA5	P20	IO L30P A21 MIRESET_1
IOA4	N21	IO L30N A20 MIA11_1
IOA33	M23	IO L31P A18 MIOCK_1
IOA32	N24	IO L31N A18 MIA12_1
IOA60	L17	IO L32P A17 MIA8_1
IOA61	K18	IO L32N A16 MIA9_1
IOA11	P24	IO L33P A15 MIA10_1
IOA10	P26	IO L33N A14 MIA11_1
IOA42	M19	IO L34P A13 MIAE_1
IOA43	L18	IO L34N A12 MIAF_1
IOA13	R25	IO L35P A11 MIA7_1
IOA12	R26	IO L35N A10 MIA2_1
IOA54	M18	IO L36P A9 MIBA0_1
IOA55	N19	IO L36N A8 MIBE1_1
IOA35	N22	IO L37P A6 MIA1_1
IOA34	N23	IO L37N A6 MIA1_1
IOA37	R23	IO L38P A5 M1CLK_1
IOA36	R24	IO L38N A4 M1CLKN_1
GCLK30 A	N20	IO L39P MIA3_1
GCLK30 B	M21	IO L39N M1IODT_1
IOA59	P21	IO L40P GCLK1_1 MIA5_1
IOA58	P22	IO L40N GCLK10 MIA6_1
IOA46	V26	IO L41P GCLK1 JRDY1 M1RASN_1
IOA47	W24	IO L41N GCLK8 MICASN_1
IOA17	U25	IO L42P GCLK7 MIUDM_1
IOA16	U26	IO L42N GCLK6 TRDY1 M1LDM_1
IOA21	W25	IO L43N GCLK6 MIDQ4_1
IOA20	W26	IO L43N GCLK4 MIDQ5_1
IOA19	V24	IO L44P A3 MIDQ6_1
IOA18	V26	IO L44N A2 MIDQ7_1
IOA15	T24	IO L45P A1 M1LDQ5_1
IOA14	T26	IO L45N A0 M1LDQ5N_1
IOA23	Y24	IO L46P FCS B MIDQ2_1
IOA22	Y26	IO L46N FCS B MIDQ3_1
IOA53	AD24	IO L47P FWE B MIDQ0_1
IOA52	AD26	IO L47N LDC MIDQ1_1
IOA27	AB24	IO L48P HDC MIDQ8_1
IOA26	AB26	IO L48N MIDQ9_1
IOA29	AC25	IO L49P MIDQ10_1
IOA28	AC26	IO L49N MIDQ11_1
IOA25	AA25	IO L50P M1UDQ5_1
IOA24	AA26	IO L50N M1UDQ5N_1
IOA31	AE25	IO L51P MIDQ12_1
IOA30	AE26	IO L51N MIDQ13_1
IOA44	T23	IO L52P MIDQ14_1
IOA45	U24	IO L52N MIDQ15_1
IOA48	R22	IO L53P VREF_1
IOA49	R21	IO L53N VREF_1
IOA56	P17	IO L55N_1
IOA57	P18	IO L56P_1
IOA50	R20	IO L56N_1
IOA51	R19	IO L57P_1
IOA9	R17	IO L57N_1
IOA8	R18	IO L58P_1
IOA0	T22	IO L58N_1
IOA1	U23	IO L59P_1
IOA1	T18	IO L59N_1
IOA6	T19	IO L60P_1
IOA2	U21	IO L60N_1
IOA3	U22	IO L61P_1
IOA45	U17	IO L61N_1
IOA44	U17	IO L62P_1
IOA3	AA23	IO L62N_1
IOA2	AA24	IO L63N_1
IOA37	T20	IO L64P_1
IOA36	U20	IO L64N_1
IOA4	AC23	IO L64N_1
IOA5	AC24	IO L65P_1
IOA9	V18	IO L65N_1
IOA8	V19	IO L66P_1
IOA7	AE24	IO L66N_1
IOA7	AE25	IO L67P_1
IOA5	AE26	IO L67N_1
IOA15	W18	IO L68P_1
IOA14	W19	IO L68N_1
IOA3	AB21	IO L89P_1
IOA2	AB22	IO L89N VREF_1
IOA31	U19	IO L70P_1
IOA30	V20	IO L70N_1
IOA1	V22	IO L71P_1
IOA1	W22	IO L71N_1
IOA13	Y20	IO L72P_1
IOA12	Y21	IO L72N_1
IOA11	Y22	IO L73P_1
IOA10	AA22	IO L73N_1



FPGA

IOA29	AE19	IO L4P_2
IOA28	AF19	(75NC/IO L5P_2)
IOA27	AD18	IO L4N VREF_2
IOA26	AF18	(75NC/IO L5N_2)
IOA25	AE18	IO L9P_2
IOA24	AE17	(75NC/IO L6P_2)
IOA23	AE16	IO L9N_2
IOA22	AE15	IO L13N D10_2
IOA21	AE15	IO L14P D11_2
IOA20	AE15	(75NC/IO L7N_2)
IOA19	AE17	IO L14N D12_2
IOA18	AG17	IO L15P_2
IOA17	AG15	IO L15N_2
IOA16	AD15	(75NC/IO L10N_2)
IOA15	AD15	IO L16P_2
IOA14	AD15	(75NC/IO L11P_2)
IOA13	AG14	IO L19P_2
IOA12	Y15	IO L19N_2
IOA11	AD15	IO L20P_2
IOA10	AD15	(75NC/IO L17N_2)
IOA9	AD15	IO L20N_2
IOA8	AE14	IO L29P GCLK2_2
IOA7	AE13	IO L30N GCLK1 D13_2
IOA6	AE13	IO L30P GCLK0 USERCCLK_2
IOA5	AD13	IO L31P GCLK3 D14_2
IOA4	AD12	IO L31N GCLK3 D15_2
IOA3	AD12	IO L32P GCLK2_2
IOA2	AD12	IO L32N GCLK2_2
IOA1	AA13	IO L34P_2
IOA0	AA12	IO L34N_2
IOA39	AC12	IO L41P VREF_2
IOA38	V19	IO L41N VREF_2
IOA37	W19	IO L46P_2
IOA36	AE11	IO L48N_2
IOA35	AE11	IO L48P_2
IOA34	AE11	IO L47P_2
IOA33	AE11	IO L47N_2
IOA32	AE9	IO L48P D7_2
IOA31	AD10	IO L48N RDWR B VREF_2
IOA30	AD10	IO L49P D3_2
IOA29	AD10	IO L49N D4_2
IOA28	AD8	IO L53P_2
IOA27	AE9	IO L53N_2
IOA26	AE7	IO L81N VREF_2
IOA25	AE7	IO L82P D5_2
IOA24	AD6	IO L82N D5_2
IOA23	AF6	IO L83P_2
IOA22	AE5	IO L83N_2
IOA21	AE5	IO L64P D8_2
IOA20	AE5	IO L64N D9_2

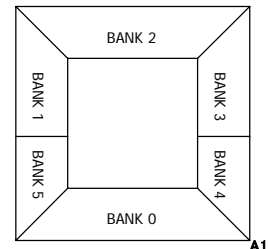
FPGA

AC20	MRAM A6
AD21	MRAM A7
Y18	MRAM DQ8_9
AA19	MRAM A10
AC19	MRAM WE
AD19	MRAM A9
V16	MRAM A18
W17	MRAM DQ10
Y16	MRAM DQ11_3
AA17	MRAM A15
AB18	MRAM A14
AC16	MRAM DQ11
AD17	MRAM DQ8
V15	MRAM BE1
W16	MRAM DQ11_3
Y14	MRAM DQ11_4
AA14	MRAM DQ12
W13	MRAM A16
Y13	MRAM A5
U15	MRAM DQ1_4
V14	MRAM OE
AA11	MRAM DQ10
AB11	MRAM DQ1
V14	MRAM A3
W14	MRAM A4
AC11	MRAM A17
AD11	MRAM BE0
D13	MRAM DQ1_3
U12	MRAM DQ1_2
Y10	MRAM DQ1_5
AB10	MRAM CE
V11	MRAM DQ1_7
W11	MRAM DQ1_6
AC9	MRAM A2
AD9	MRAM A1

**IOB46 - IOB63**  
Shared with BANK Group A I/O (VCC0-V33A)

FPGA

IOB67	K8	IO L58P_4
IOB66	L8	IO L58N VREF_4
IOB65	N9	IO L59P M4DQ14_4
IOB64	N10	IO L59N M4DQ15_4
IOB70	M3	IO L60P M4DQ12_4
IOB71	M3	IO L60N M4DQ13_4
IOB72	M16	IO L61P M4DQ8_4
IOB73	L1	IO L61N M4DQ9_4
IOB74	K3	IO L62P M4DQ8_4
IOB75	K1	IO L62N M4DQ11_4
IOB76	J2	IO L63P M4DQ8_4
IOB77	J2	IO L63N M4DQ9_4
IOB78	H1	IO L64P M4DQ10_4
IOB79	H3	IO L64N M4DQ11_4
IOB80	G2	IO L65P M4DQ8_4
IOB81	G2	IO L65N M4DQ9_4
IOB82	F1	IO L66P M4DQ10_4
IOB83	F2	IO L66N M4DQ11_4
MRAM A11	E2	IO L67P M4DQ8_4
MRAM A12	E1	IO L67N M4DQ9_4
MRAM A13	D3	IO L68P M4DQ10_4
ASW1	D1	IO L68N M4DQ11_4
ULED5	J4	IO L69P M4DQ8_4
ULED4	J3	IO L69N M4DQ9_4
PSW2	K7	IO L70P M4DQ10_4
ULED3	K6	IO L70N M4DQ11_4
ULED7	K5	IO L71P M4A5_4
ULED6	J5	IO L71N M4A6_4
ULED2	J7	IO L72P M4DQ7_4
ULED0	H7	IO L72N M4DQ8_4
ULED1	G4	IO L73P M4DQ7_4
PSW1	G3	IO L73N M4DQ8_4
ASW0	L9	IO L74P M4A0_4
IOB50	H6	IO L74N M4A1_4
IOB51	H5	IO L75P M4B0_4
IOB52	J10	IO L75N M4B1_4
IOB47	K9	IO L76P M4A7_4
IOB56	E4	IO L76N M4A8_4
IOB57	E3	IO L77P M4A2_4
IOB58	G6	IO L77N M4A3_4
IOB53	G5	IO L78P M4A10_4
IOB60	C2	IO L78N M4A4_4
IOB61	C1	IO L78N M4A8_4
IOB54	F5	IO L79N M4A9_4
IOB55	F6	IO L80P M4C6_4
IOB62	B2	IO L80N M4A12_4
IOB63	B1	IO L81P M4C7_4
IOB48	H9	IO L81N M4A11_4
IOB49	G7	IO L82P M4A13_4
IOB58	C4	IO L82N M4A14_4
IOB59	C3	IO L83P_4
IOB59	D2	IO L83N VREF_4
D3	VCC0_4	
F4	VCC0_4	
H2	VCC0_4	
J6	VCC0_4	
K4	VCC0_4	
M2	VCC0_4	
D3	VCC0_4	



HUMAN DATA LTD.  
OSAKA JAPAN  
www.hdl.co.jp/en/(Global)  
www.hdl.co.jp/(Japan)

SPARTAN-6 FG676 FPGA Board Rev2

Date: 29-Sep-2011 15:22:04

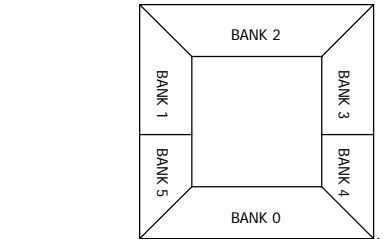
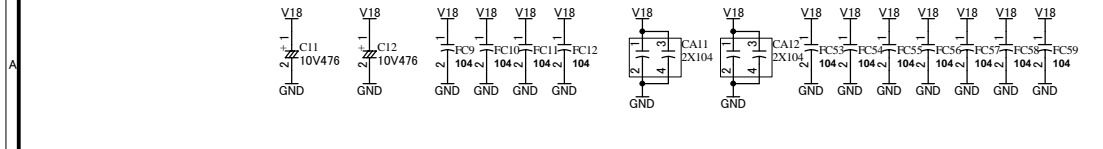
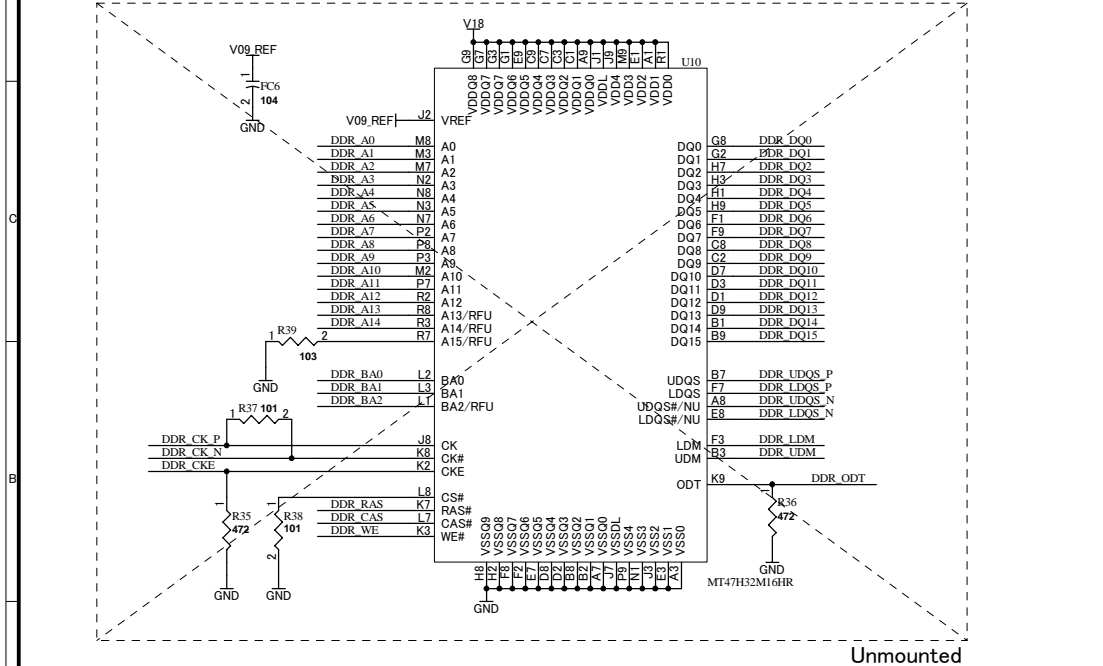
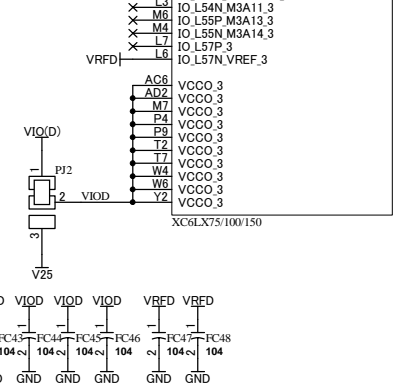
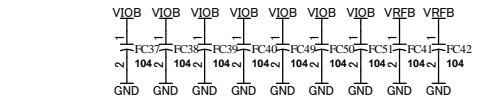
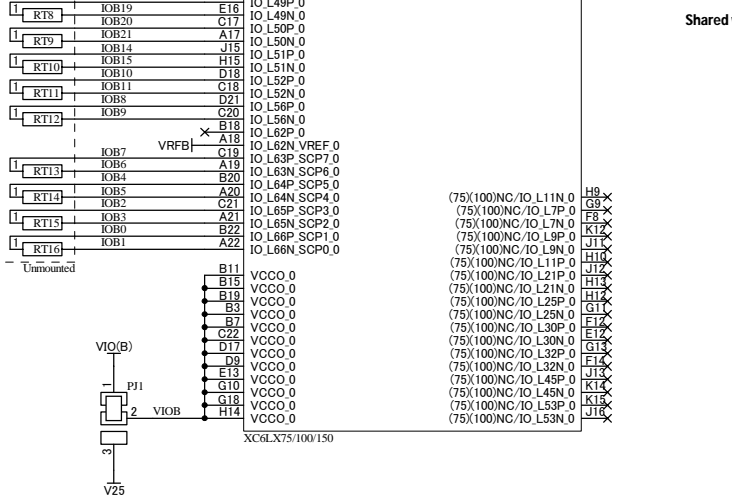
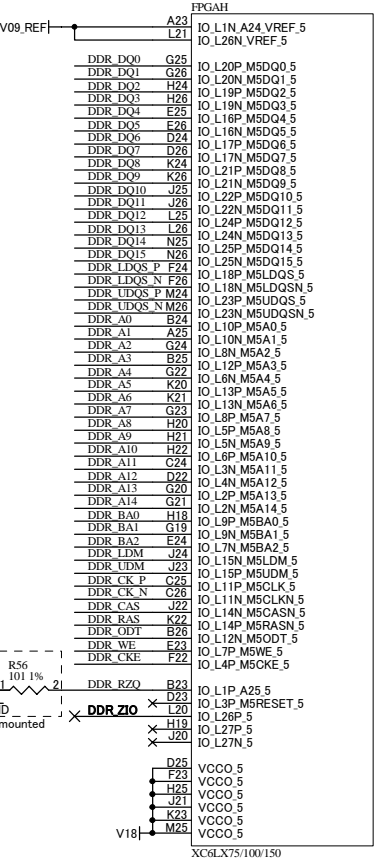
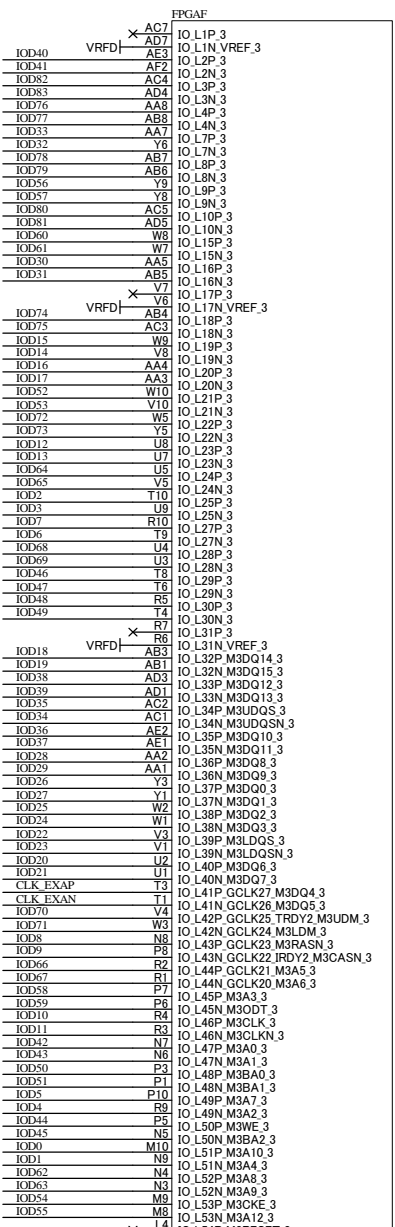
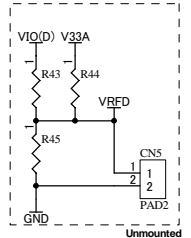
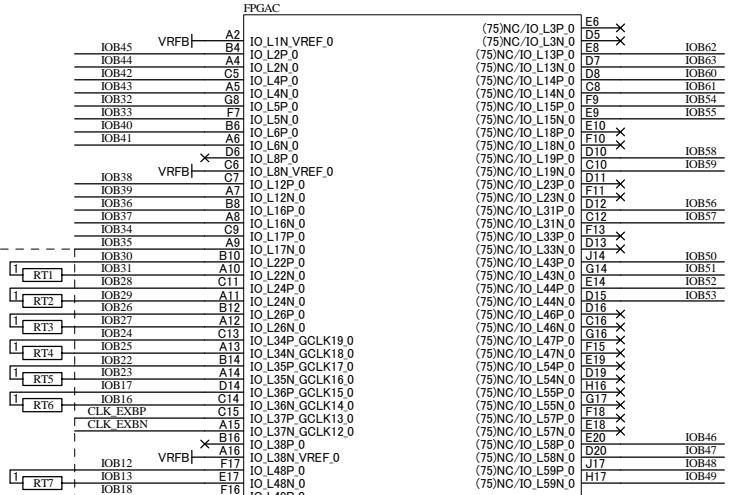
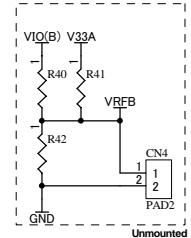
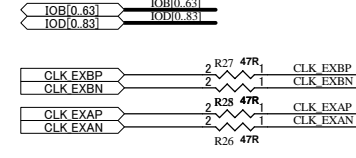
DOC. No. XCM-206Z

File: IO.sch

Sheet 2 of 3

B

V33A  
VIO(B)  
V25  
V12  
V18  
V09 TTR  
V09 REF  
GND



**HUMAN DATA**

HuMANDATA LTD.  
OSAKA JAPAN  
www.hdl.co.jp/en/(Global)  
www.hdl.co.jp/(Japan)

Date: 29-Sep-2011 15:22:05

XCM206ZR2-SCH-B.pdf

**SPARTAN-6 FG676 FPGA Board Rev2**

DOC. No. XCM-206Z

File: IO2.sch Sheet 3 of 3

B