

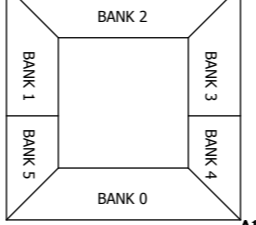
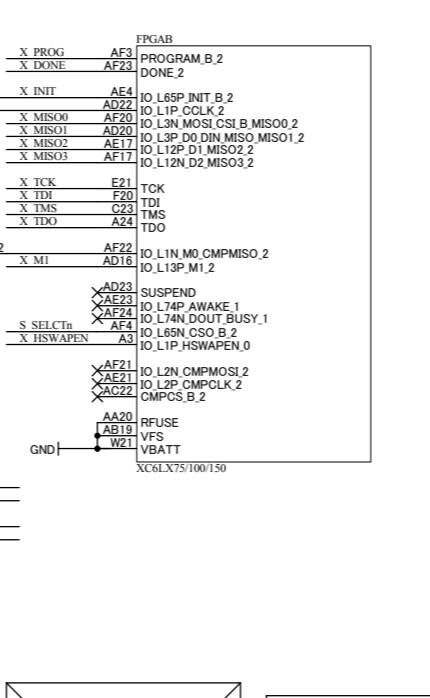
Pin	Signal	IO Type
A1	GND	VCCINT
A2	GND	VCCINT
A3	GND	VCCINT
A4	GND	VCCINT
A5	GND	VCCINT
A6	GND	VCCINT
A7	GND	VCCINT
A8	GND	VCCINT
A9	GND	VCCINT
A10	GND	VCCINT
A11	GND	VCCINT
A12	GND	VCCINT
A13	GND	VCCINT
A14	GND	VCCINT
A15	GND	VCCINT
A16	GND	VCCINT
A17	GND	VCCINT
A18	GND	VCCINT
A19	GND	VCCINT
A20	GND	VCCINT
A21	GND	VCCINT
A22	GND	VCCINT
A23	GND	VCCINT
A24	GND	VCCINT
A25	GND	VCCINT
A26	GND	VCCINT
A27	GND	VCCINT
A28	GND	VCCINT
A29	GND	VCCINT
A30	GND	VCCINT
A31	GND	VCCINT
A32	GND	VCCINT
A33	GND	VCCINT
A34	GND	VCCINT
A35	GND	VCCINT
A36	GND	VCCINT
A37	GND	VCCINT
A38	GND	VCCINT
A39	GND	VCCINT
A40	GND	VCCINT
A41	GND	VCCINT
A42	GND	VCCINT
A43	GND	VCCINT
A44	GND	VCCINT
A45	GND	VCCINT
A46	GND	VCCINT
A47	GND	VCCINT
A48	GND	VCCINT
A49	GND	VCCINT
A50	GND	VCCINT
A51	GND	VCCINT
A52	GND	VCCINT
A53	GND	VCCINT
A54	GND	VCCINT
A55	GND	VCCINT
A56	GND	VCCINT
A57	GND	VCCINT
A58	GND	VCCINT
A59	GND	VCCINT
A60	GND	VCCINT
A61	GND	VCCINT
A62	GND	VCCINT
A63	GND	VCCINT
A64	GND	VCCINT
A65	GND	VCCINT
A66	GND	VCCINT
A67	GND	VCCINT
A68	GND	VCCINT
A69	GND	VCCINT
A70	GND	VCCINT
A71	GND	VCCINT
A72	GND	VCCINT
A73	GND	VCCINT
A74	GND	VCCINT
A75	GND	VCCINT
A76	GND	VCCINT
A77	GND	VCCINT
A78	GND	VCCINT
A79	GND	VCCINT
A80	GND	VCCINT
A81	GND	VCCINT
A82	GND	VCCINT
A83	GND	VCCINT
A84	GND	VCCINT
A85	GND	VCCINT
A86	GND	VCCINT
A87	GND	VCCINT
A88	GND	VCCINT
A89	GND	VCCINT
A90	GND	VCCINT
A91	GND	VCCINT
A92	GND	VCCINT
A93	GND	VCCINT
A94	GND	VCCINT
A95	GND	VCCINT
A96	GND	VCCINT
A97	GND	VCCINT
A98	GND	VCCINT
A99	GND	VCCINT
A100	GND	VCCINT

Pin	Signal	IO Type
A101	GND	VCCINT
A102	GND	VCCINT
A103	GND	VCCINT
A104	GND	VCCINT
A105	GND	VCCINT
A106	GND	VCCINT
A107	GND	VCCINT
A108	GND	VCCINT
A109	GND	VCCINT
A110	GND	VCCINT
A111	GND	VCCINT
A112	GND	VCCINT
A113	GND	VCCINT
A114	GND	VCCINT
A115	GND	VCCINT
A116	GND	VCCINT
A117	GND	VCCINT
A118	GND	VCCINT
A119	GND	VCCINT
A120	GND	VCCINT
A121	GND	VCCINT
A122	GND	VCCINT
A123	GND	VCCINT
A124	GND	VCCINT
A125	GND	VCCINT
A126	GND	VCCINT
A127	GND	VCCINT
A128	GND	VCCINT
A129	GND	VCCINT
A130	GND	VCCINT
A131	GND	VCCINT
A132	GND	VCCINT
A133	GND	VCCINT
A134	GND	VCCINT
A135	GND	VCCINT
A136	GND	VCCINT
A137	GND	VCCINT
A138	GND	VCCINT
A139	GND	VCCINT
A140	GND	VCCINT
A141	GND	VCCINT
A142	GND	VCCINT
A143	GND	VCCINT
A144	GND	VCCINT
A145	GND	VCCINT
A146	GND	VCCINT
A147	GND	VCCINT
A148	GND	VCCINT
A149	GND	VCCINT
A150	GND	VCCINT

Pin	Signal	IO Type
A151	GND	VCCINT
A152	GND	VCCINT
A153	GND	VCCINT
A154	GND	VCCINT
A155	GND	VCCINT
A156	GND	VCCINT
A157	GND	VCCINT
A158	GND	VCCINT
A159	GND	VCCINT
A160	GND	VCCINT
A161	GND	VCCINT
A162	GND	VCCINT
A163	GND	VCCINT
A164	GND	VCCINT
A165	GND	VCCINT
A166	GND	VCCINT
A167	GND	VCCINT
A168	GND	VCCINT
A169	GND	VCCINT
A170	GND	VCCINT
A171	GND	VCCINT
A172	GND	VCCINT
A173	GND	VCCINT
A174	GND	VCCINT
A175	GND	VCCINT
A176	GND	VCCINT
A177	GND	VCCINT
A178	GND	VCCINT
A179	GND	VCCINT
A180	GND	VCCINT
A181	GND	VCCINT
A182	GND	VCCINT
A183	GND	VCCINT
A184	GND	VCCINT
A185	GND	VCCINT
A186	GND	VCCINT
A187	GND	VCCINT
A188	GND	VCCINT
A189	GND	VCCINT
A190	GND	VCCINT
A191	GND	VCCINT
A192	GND	VCCINT
A193	GND	VCCINT
A194	GND	VCCINT
A195	GND	VCCINT
A196	GND	VCCINT
A197	GND	VCCINT
A198	GND	VCCINT
A199	GND	VCCINT
A200	GND	VCCINT

Pin	Signal	IO Type
A201	GND	VCCINT
A202	GND	VCCINT
A203	GND	VCCINT
A204	GND	VCCINT
A205	GND	VCCINT
A206	GND	VCCINT
A207	GND	VCCINT
A208	GND	VCCINT
A209	GND	VCCINT
A210	GND	VCCINT
A211	GND	VCCINT
A212	GND	VCCINT
A213	GND	VCCINT
A214	GND	VCCINT
A215	GND	VCCINT
A216	GND	VCCINT
A217	GND	VCCINT
A218	GND	VCCINT
A219	GND	VCCINT
A220	GND	VCCINT
A221	GND	VCCINT
A222	GND	VCCINT
A223	GND	VCCINT
A224	GND	VCCINT
A225	GND	VCCINT
A226	GND	VCCINT
A227	GND	VCCINT
A228	GND	VCCINT
A229	GND	VCCINT
A230	GND	VCCINT
A231	GND	VCCINT
A232	GND	VCCINT
A233	GND	VCCINT
A234	GND	VCCINT
A235	GND	VCCINT
A236	GND	VCCINT
A237	GND	VCCINT
A238	GND	VCCINT
A239	GND	VCCINT
A240	GND	VCCINT

Pin	Signal	IO Type
A241	GND	VCCINT
A242	GND	VCCINT
A243	GND	VCCINT
A244	GND	VCCINT
A245	GND	VCCINT
A246	GND	VCCINT
A247	GND	VCCINT
A248	GND	VCCINT
A249	GND	VCCINT
A250	GND	VCCINT
A251	GND	VCCINT
A252	GND	VCCINT
A253	GND	VCCINT
A254	GND	VCCINT
A255	GND	VCCINT
A256	GND	VCCINT
A257	GND	VCCINT
A258	GND	VCCINT
A259	GND	VCCINT
A260	GND	VCCINT
A261	GND	VCCINT
A262	GND	VCCINT
A263	GND	VCCINT
A264	GND	VCCINT
A265	GND	VCCINT
A266	GND	VCCINT
A267	GND	VCCINT
A268	GND	VCCINT
A269	GND	VCCINT
A270	GND	VCCINT
A271	GND	VCCINT
A272	GND	VCCINT
A273	GND	VCCINT
A274	GND	VCCINT
A275	GND	VCCINT
A276	GND	VCCINT
A277	GND	VCCINT
A278	GND	VCCINT
A279	GND	VCCINT
A280	GND	VCCINT



HUMAN DATA

HuMANDATA LTD.
OSAKA JAPAN
www.hdl.co.jp/en/(Global)
www.hdl.co.jp/(Japan)

SPARTAN-6 FG676 FPGA Board

DOC. No. **XCM-206Z**

Date: 5-Jul-2011 14:09:41 File: XCM206A.sch Sheet 1 of 3

XCM206ZR1-SCH-A2.pdf

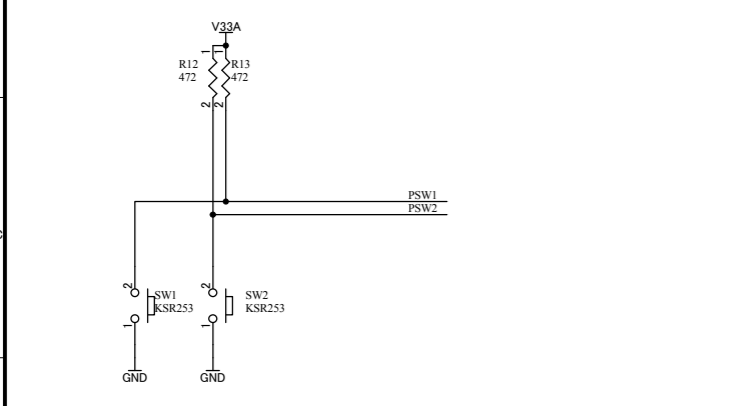
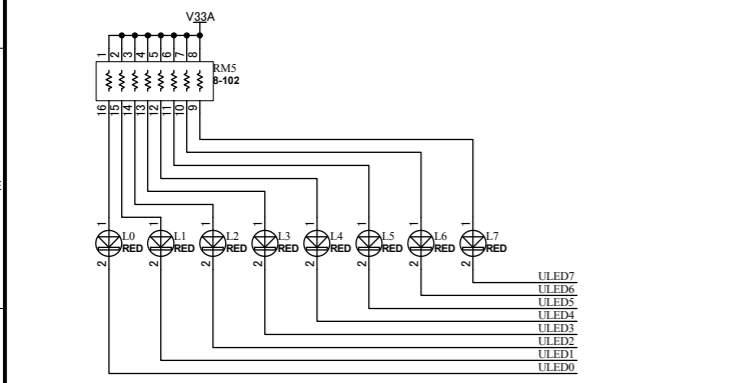
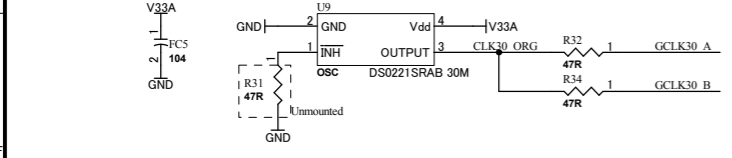
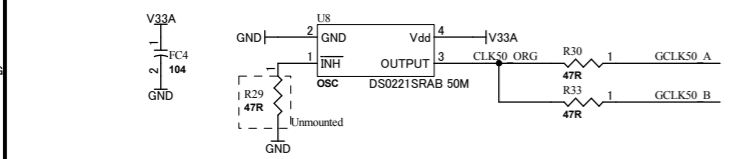
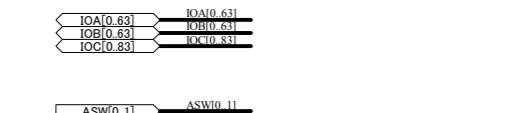
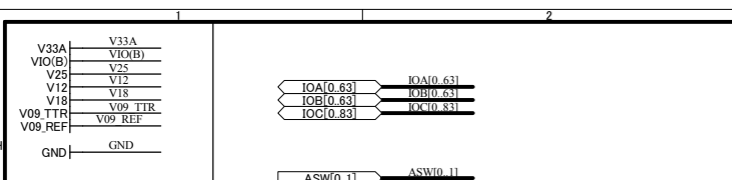
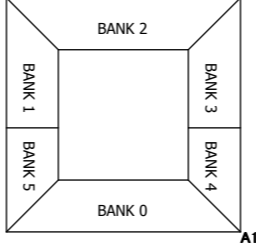
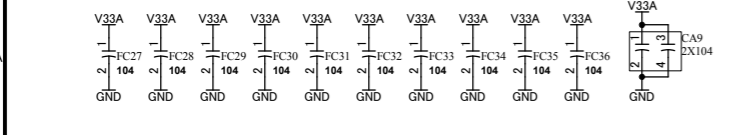
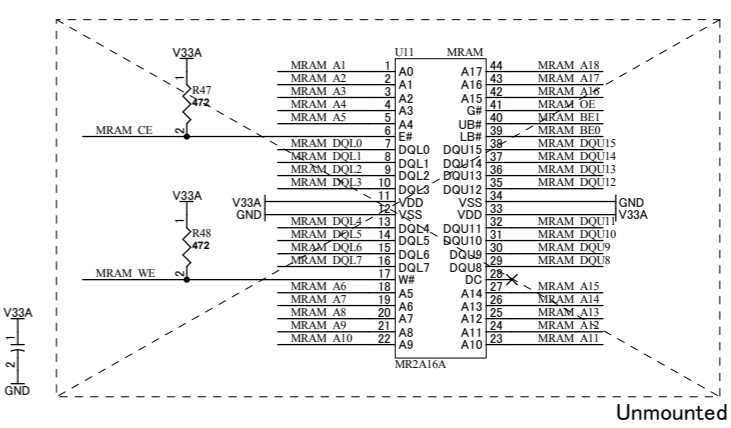


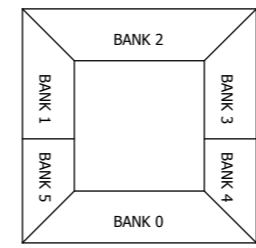
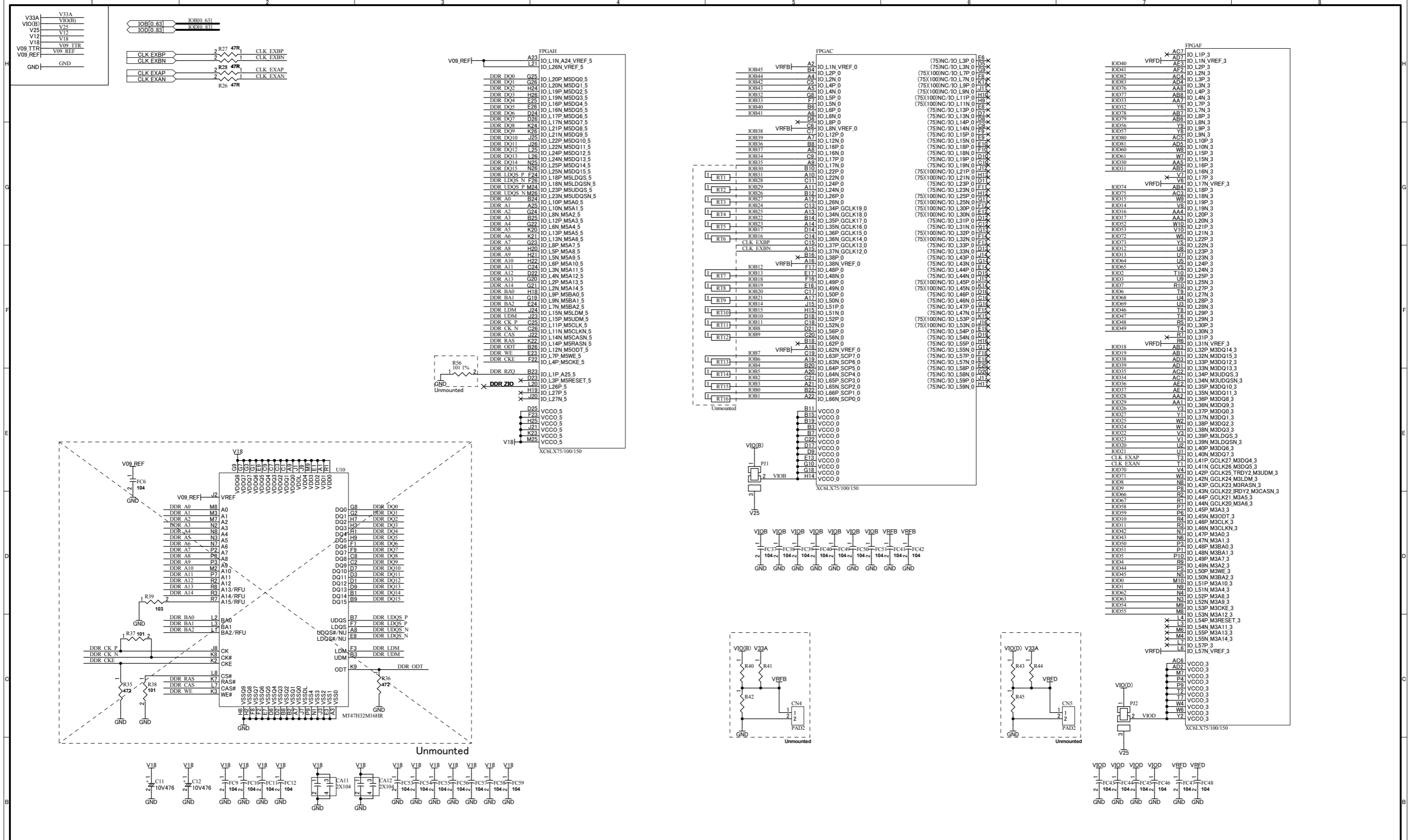
Table of FPGA pins and their functions, organized by bank (IOA, IOB, IOC, IOE, IOF, IOG, IOH, IOI, IOJ, IOK, IOL, IOM, IOO, IOQ, IOR, IOS, IOU, IOV, IOW, IOX, IOY, IOZ). Includes pin numbers and signal names like IO.L28P.1, IO.L28N.VREF.1, etc.

Table of FPGA pins and their functions, organized by bank (IOA, IOB, IOC, IOE, IOF, IOG, IOH, IOI, IOJ, IOK, IOL, IOM, IOO, IOQ, IOR, IOS, IOU, IOV, IOW, IOX, IOY, IOZ). Includes pin numbers and signal names like IO.L28P.1, IO.L28N.VREF.1, etc.

Table of FPGA pins and their functions, organized by bank (IOA, IOB, IOC, IOE, IOF, IOG, IOH, IOI, IOJ, IOK, IOL, IOM, IOO, IOQ, IOR, IOS, IOU, IOV, IOW, IOX, IOY, IOZ). Includes pin numbers and signal names like IO.L28P.1, IO.L28N.VREF.1, etc.



HUMAN DATA logo and company information: HuMANDATA LTD. OSAKA JAPAN. www.hdl.co.jp/en/(Global) www.hdl.co.jp/(Japan). Date: 5-Jul-2011 14:09:42. File: IO.sch. Sheet 2 of 3. XCM206ZR1-SCH-A2.pdf. SPARTAN-6 FG676 FPGA Board. DOC. No. XCM-206Z. A2



HUMAN DATA LTD.
OSAKA JAPAN
www.hdl.co.jp/en/(Global)
www.hdl.co.jp/(Japan)

Date: 5-Jul-2011 14:09:42

SPARTAN-6 FG676 FPGA Board

DOC. No. XCM-206Z

Sheet 3 of 3