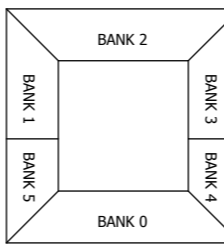
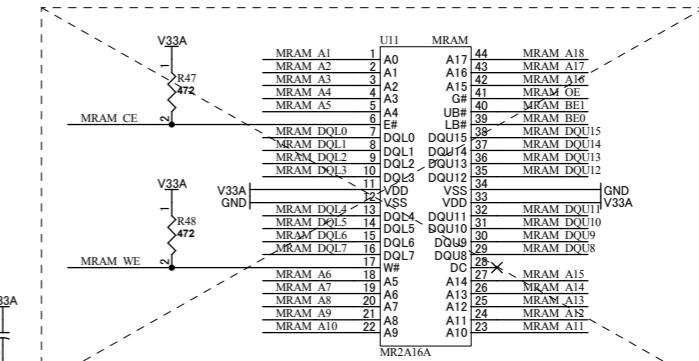


FPGA	
IOA41	L19
IOA40	K19
IOA38	L23
IOA39	L24
IOA5	P20
IOA4	N21
IOA33	M23
IOA32	N24
IOA60	L17
IOA61	K18
IOA11	P24
IOA10	P26
IOA42	M19
IOA43	L18
IOA13	R25
IOA12	R26
IOA54	M18
IOA55	N19
IOA35	N22
IOA34	N23
IOA62	N17
IOA63	N18
IOA37	R23
IOA36	R24
GCLK30 B	N20
GCLK50 B	M21
IOA59	P21
IOA58	P22
IOA46	V24
IOA47	W24
IOA17	U25
IOA16	U26
IOA21	W25
IOA20	W26
IOA19	V24
IOA18	V24
IOA15	T24
IOA14	T26
IOA23	Y24
IOA22	Y26
IOA53	AD24
IOA52	AD26
IOA27	AB24
IOA26	AB26
IOA29	AC25
IOA28	AC26
IOA25	AA25
IOA24	AA26
IOA31	AE25
IOA30	AE26
IOA44	T24
IOA45	U24
IOA48	R22
IOA49	R21
IOA56	P17
IOA57	P18
IOA50	R20
IOA51	R19
IOA9	R17
IOA8	R18
IOA0	T22
IOA1	U23
IOA7	T18
IOA6	T19
IOA2	U21
IOA3	U22
IOA5	U17
IOA4	V17
IOA3	AA23
IOA2	AA24
IOA57	T20
IOA56	U20
IOA4	AC23
IOA5	AC24
IOA9	V18
IOA8	V19
IOA6	AE24
IOA7	AF25
IOA15	W18
IOA14	W19
IOA9	AB21
IOA8	AB22
IOA31	U19
IOA30	V20
IOA1	V22
IOA13	Y20
IOA12	Y21
IOA11	Y22
IOA10	AA22

FPGA	
IOA29	AE19
IOA28	AE18
IOA27	AD18
IOA26	AE18
IOA25	AE15
IOA24	AE15
IOA42	AB17
IOA43	AC17
IOA47	AC15
IOA46	AD15
IOA16	AB15
IOA17	AC14
IOA19	Y15
IOA18	AA15
GCLK30 A	AE14
GCLK30 B	AE13
IOA31	AE13
IOA30	AE13
IOA21	AC13
IOA20	AD13
IOA39	AD12
IOA38	AE12
IOA23	AA13
IOA22	AB13
IOA41	AA12
IOA40	AC12
IOA52	W12
IOA53	W12
IOA32	W12
IOA31	AE11
IOA65	AE9
IOA64	AE9
IOA37	AD10
IOA36	AE10
IOA54	AD8
IOA55	AE8
IOA52	AA9
IOA53	AB9
IOA35	AE7
IOA34	AE7
IOA61	AD8
IOA60	AE8
IOA59	AE5
IOA58	AE5

FPGA	
IOA29	AE19
IOA28	AE18
IOA27	AD18
IOA26	AE18
IOA25	AE15
IOA24	AE15
IOA42	AB17
IOA43	AC17
IOA47	AC15
IOA46	AD15
IOA16	AB15
IOA17	AC14
IOA19	Y15
IOA18	AA15
GCLK30 A	AE14
GCLK30 B	AE13
IOA31	AE13
IOA30	AE13
IOA21	AC13
IOA20	AD13
IOA39	AD12
IOA38	AE12
IOA23	AA13
IOA22	AB13
IOA41	AA12
IOA40	AC12
IOA52	W12
IOA53	W12
IOA32	W12
IOA31	AE11
IOA65	AE9
IOA64	AE9
IOA37	AD10
IOA36	AE10
IOA54	AD8
IOA55	AE8
IOA52	AA9
IOA53	AB9
IOA35	AE7
IOA34	AE7
IOA61	AD8
IOA60	AE8
IOA59	AE5
IOA58	AE5

FPGA	
IOA29	AE19
IOA28	AE18
IOA27	AD18
IOA26	AE18
IOA25	AE15
IOA24	AE15
IOA42	AB17
IOA43	AC17
IOA47	AC15
IOA46	AD15
IOA16	AB15
IOA17	AC14
IOA19	Y15
IOA18	AA15
GCLK30 A	AE14
GCLK30 B	AE13
IOA31	AE13
IOA30	AE13
IOA21	AC13
IOA20	AD13
IOA39	AD12
IOA38	AE12
IOA23	AA13
IOA22	AB13
IOA41	AA12
IOA40	AC12
IOA52	W12
IOA53	W12
IOA32	W12
IOA31	AE11
IOA65	AE9
IOA64	AE9
IOA37	AD10
IOA36	AE10
IOA54	AD8
IOA55	AE8
IOA52	AA9
IOA53	AB9
IOA35	AE7
IOA34	AE7
IOA61	AD8
IOA60	AE8
IOA59	AE5
IOA58	AE5

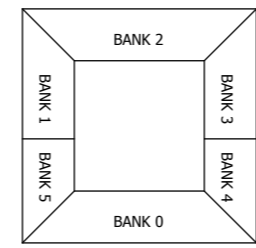
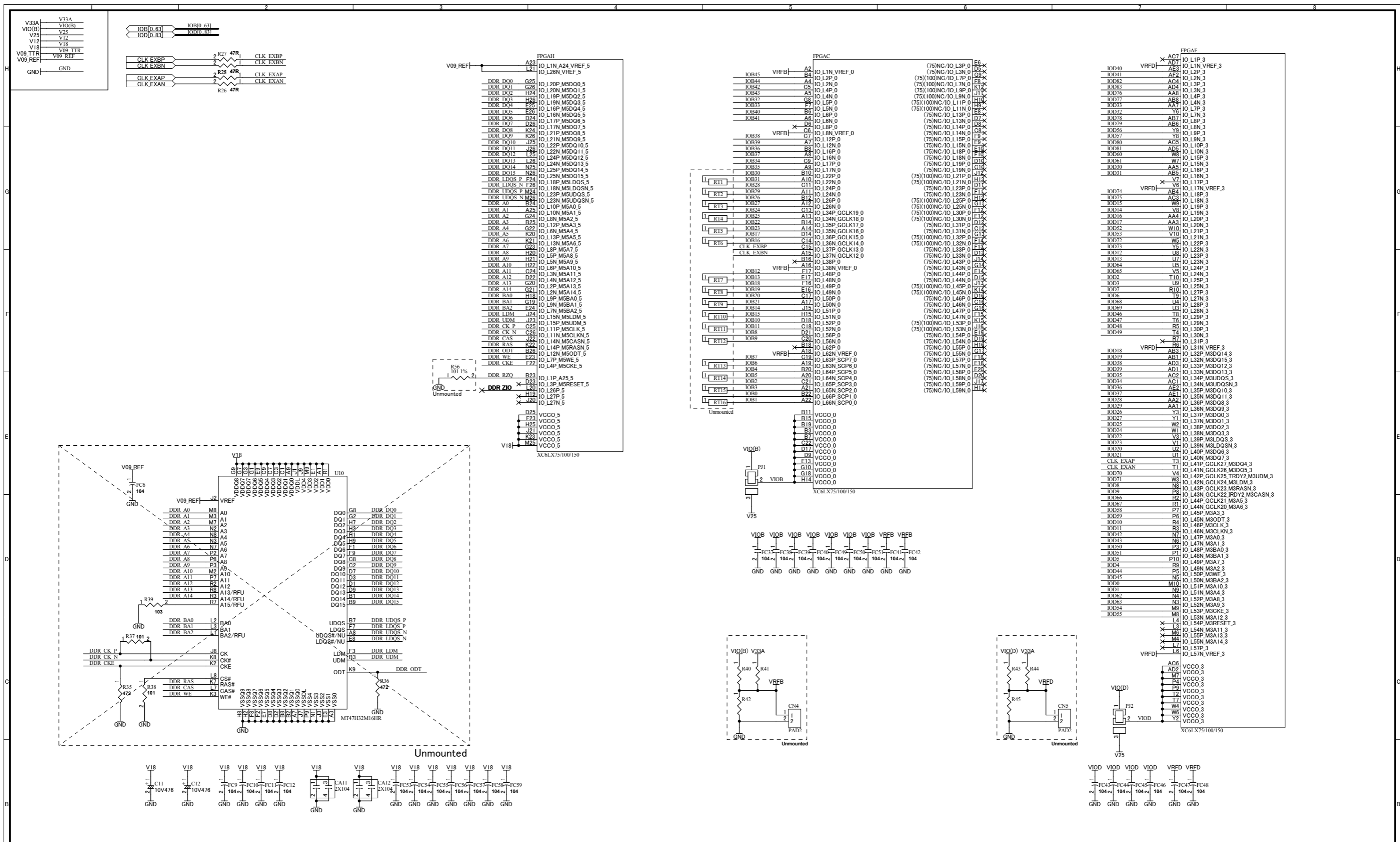


HUMAN DATA
 HuMANDATA LTD.
 OSAKA JAPAN
www.hdl.co.jp/en/ (Global)
www.hdl.co.jp/ (Japan)

SPARTAN-6 FG676 FPGA Board

DOC. No. **XCM-206Z** Sheet **2** of **3**

XCM206ZR1-SCH-A1.pdf



HUMAN DATA

HuMANDATA LTD.
OSAKA JAPAN
www.hdl.co.jp/en/(Global)
www.hdl.co.jp/(Japan)

SPARTAN-6 FG676 FPGA Board

DOC. No.	XCM-206Z	A1
Date:	6-Apr-2011 09:34:37	File: I02.sch
Sheet 3 of 3		