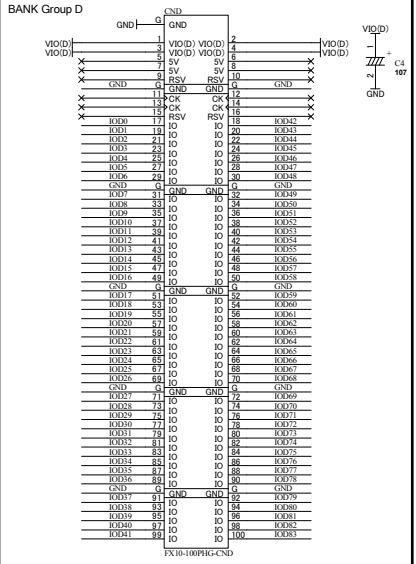
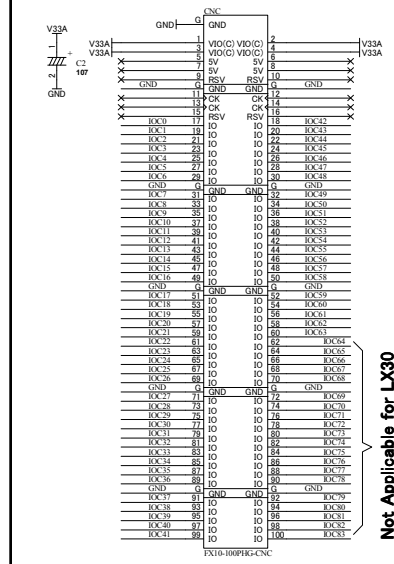
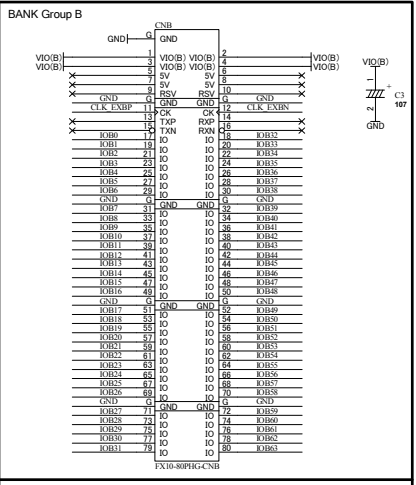
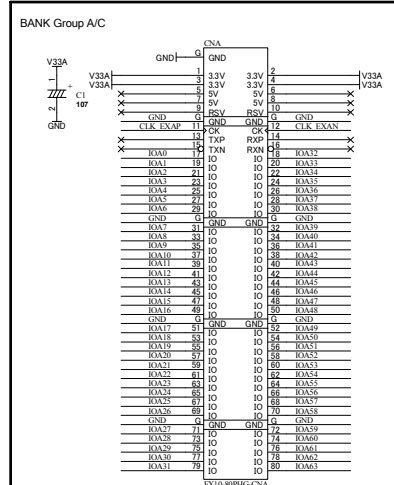
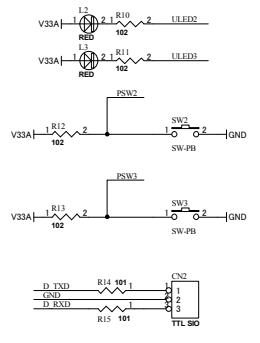
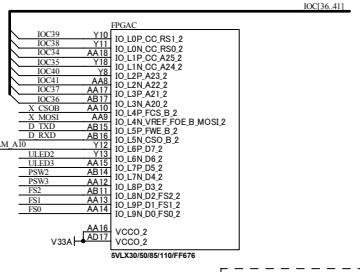
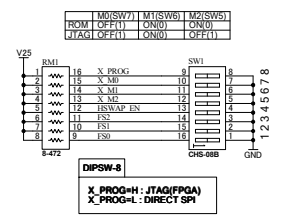
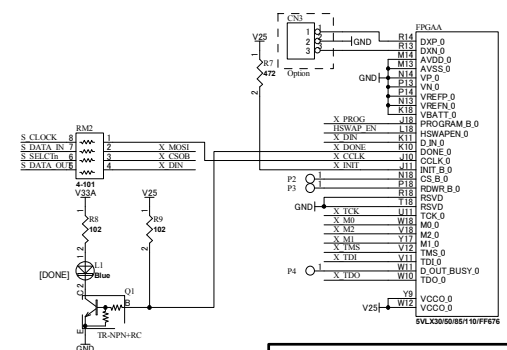
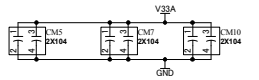
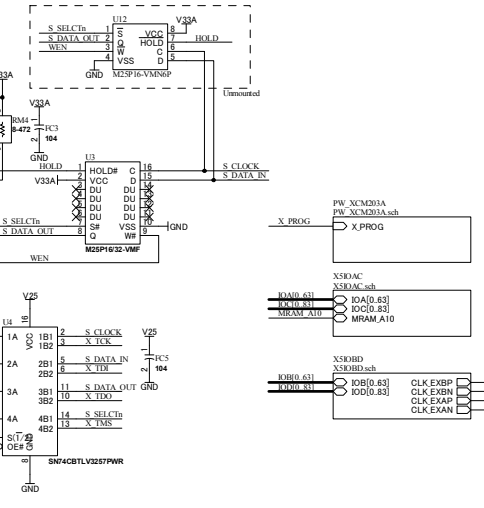
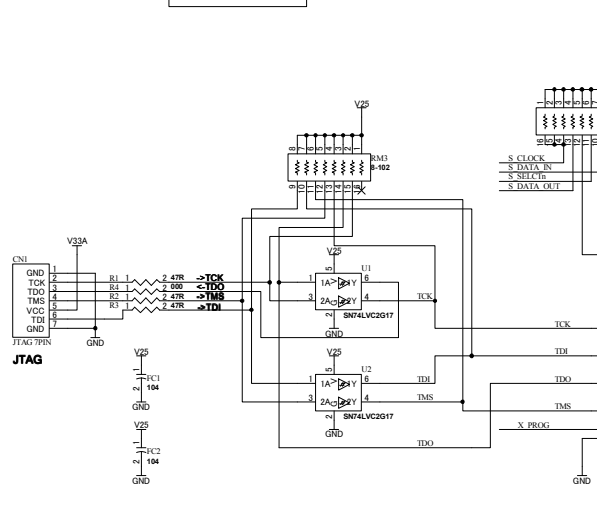


- V18 V18
- V10 V10
- V25 V25
- GND GND
- V33A V33A
- VIO(B) VIO(B)
- VIO(D) VIO(D)



Not Applicable for LX30



HuMANDATA LTD.  
OSAKA JAPAN  
www.hdl.co.jp/en/(Global)  
www.hdl.co.jp/(Japan)

Virtex-5 FFG676 FPGA Board

DOC. No. XCM-203

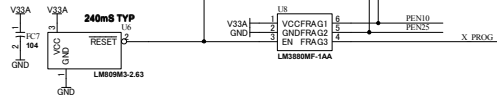
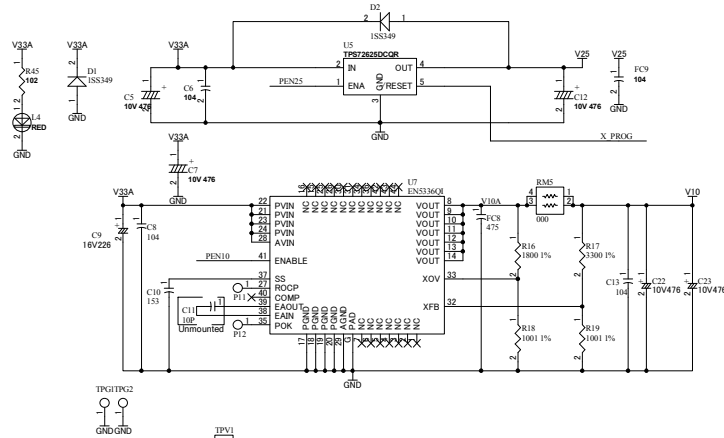
B3

Date: 11-May-2012 10:36:14

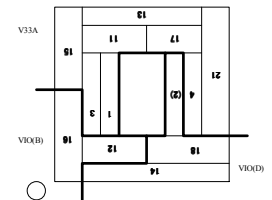
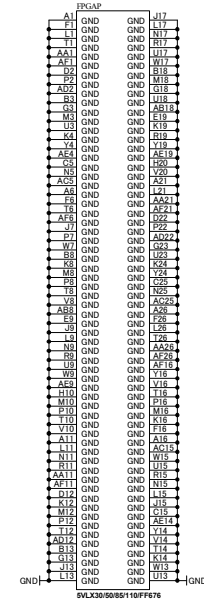
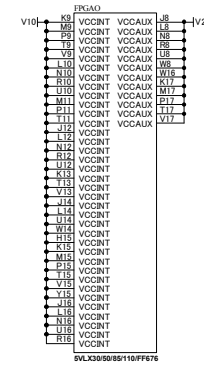
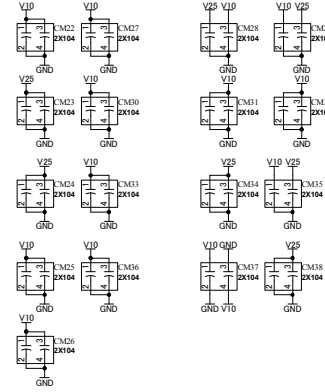
File: XCM203B.sch

Sheet 1 of 4

V18| V18  
 V10| V10  
 V25| V25  
 GND| GND  
 V33A| V33A  
 VIO(B)| VIO(B)  
 VIO(D)| VIO(D)



X.PROG >>>

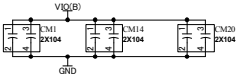
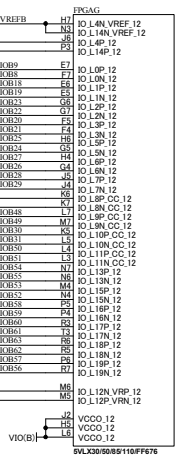
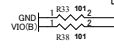
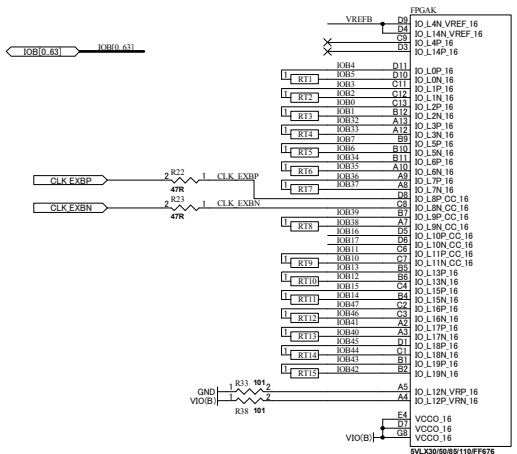


XCM203R1-SCH-B3.pdf



V18| V18  
V10| V10  
V20| V20  
GND| GND  
V33A| V33A  
VIO(B)| VIO(B)  
VIO(D)| VIO(D)

CNB



CND

