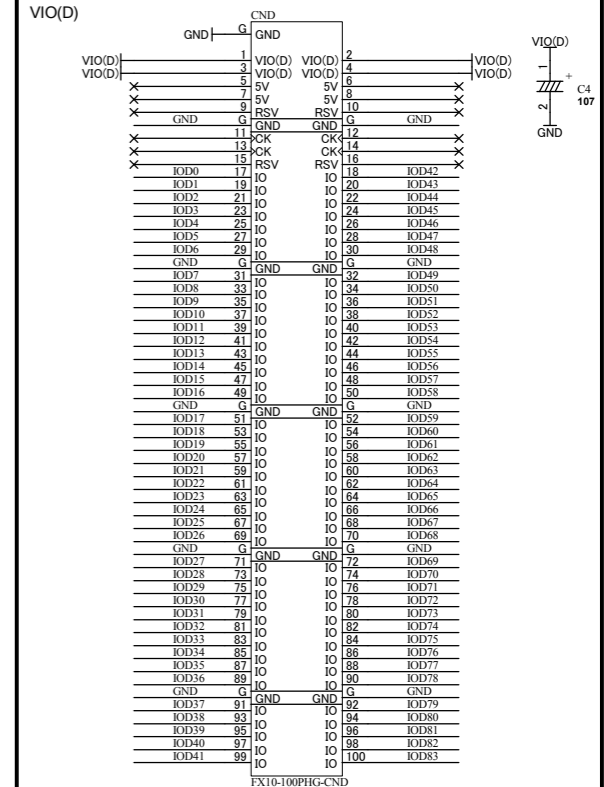
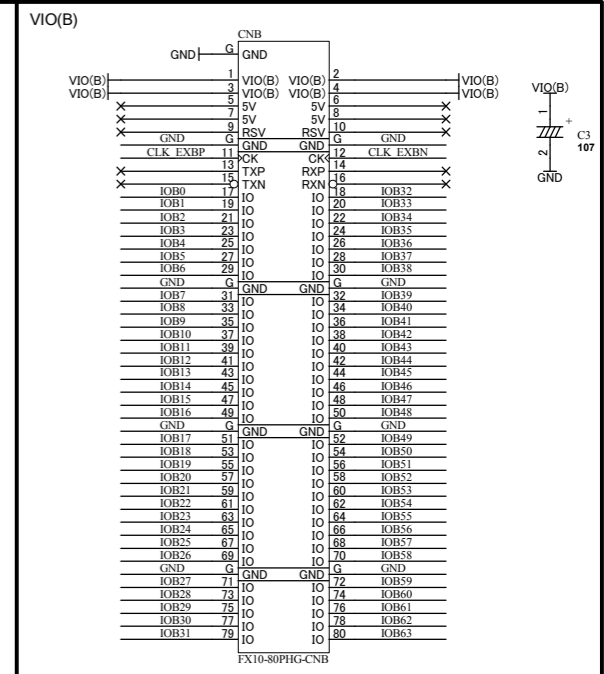
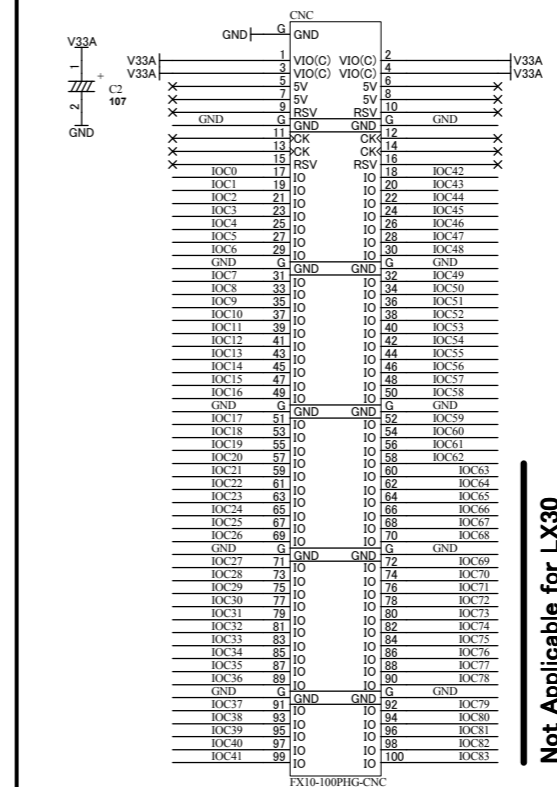
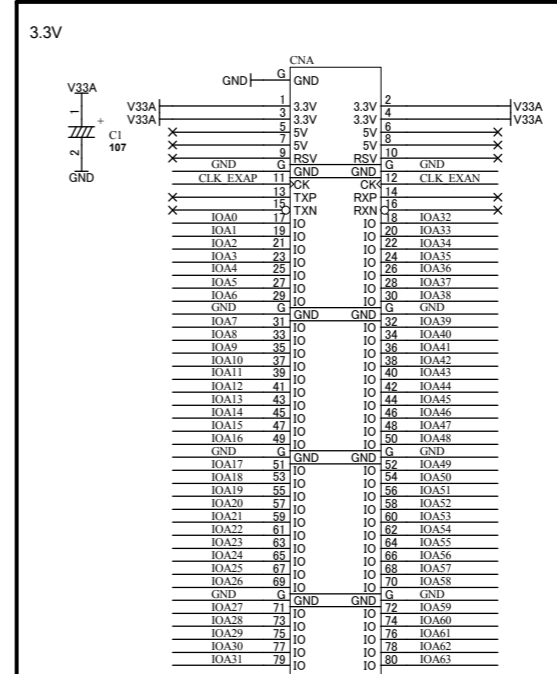
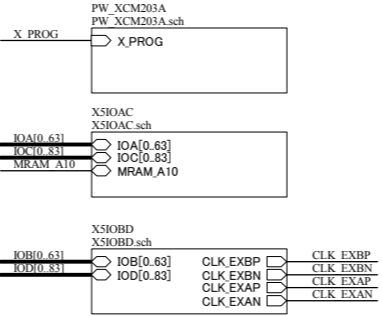
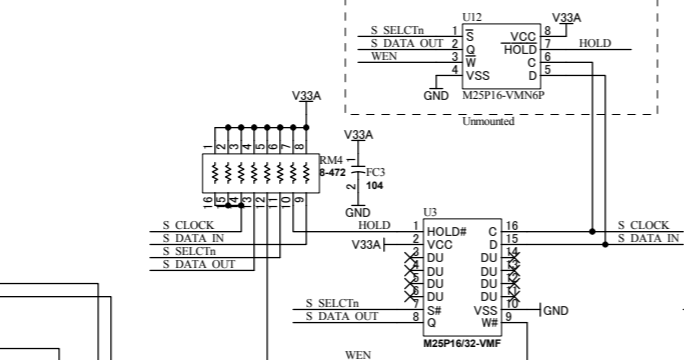
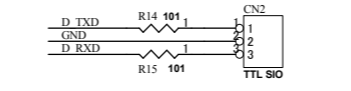
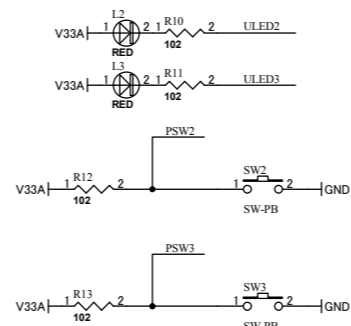
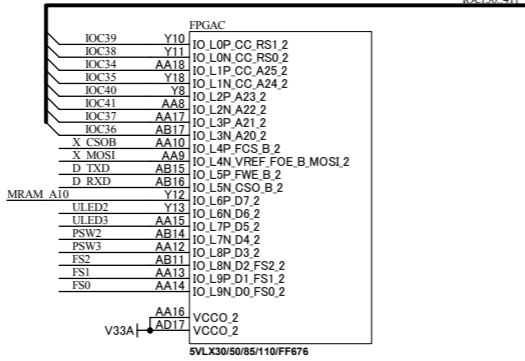
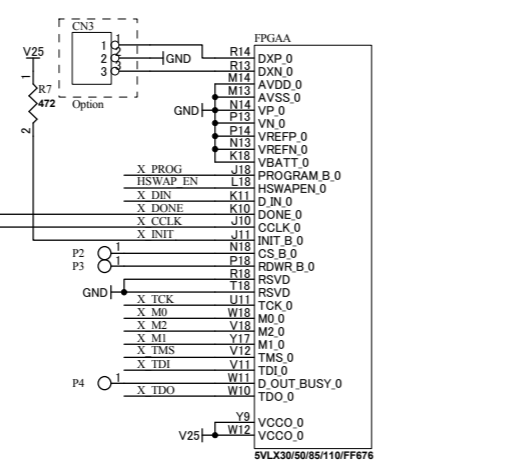
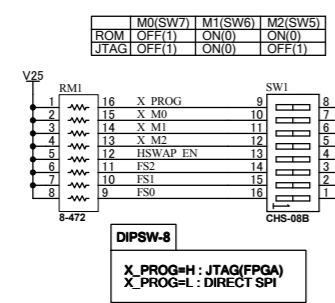
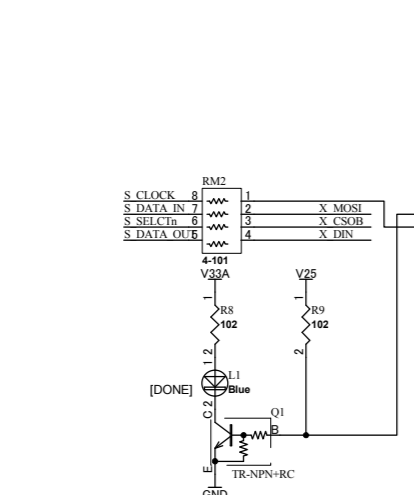
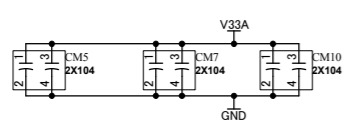
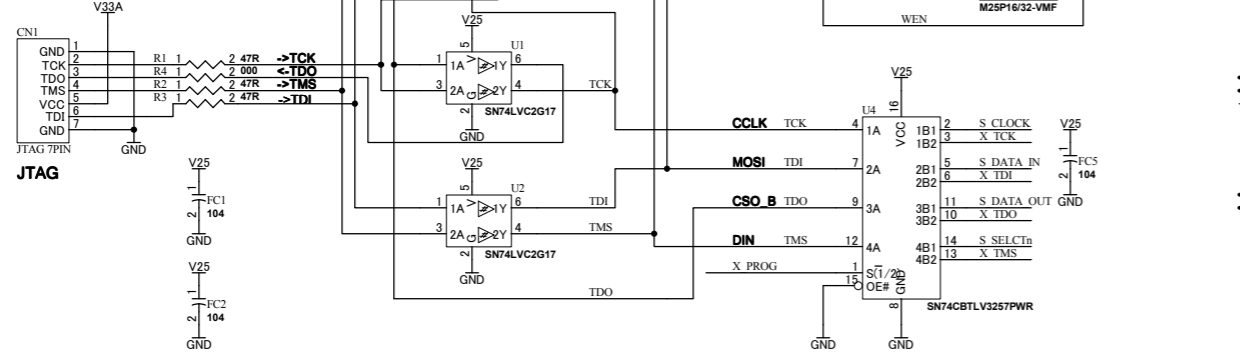


V18 V18  
 V10 V10  
 V25 V25  
 GND GND  
 V33A V33A  
 VIO(B) VIO(B)  
 VIO(D) VIO(D)



Not Applicable for LX30



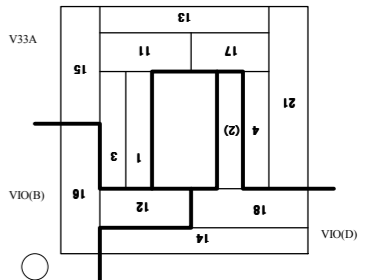
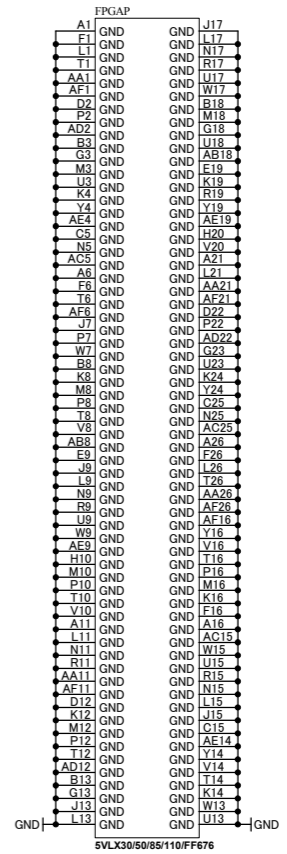
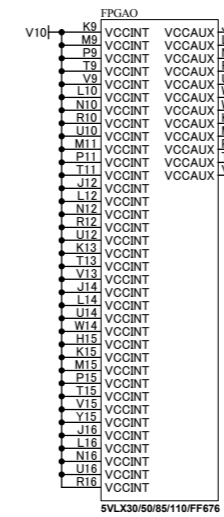
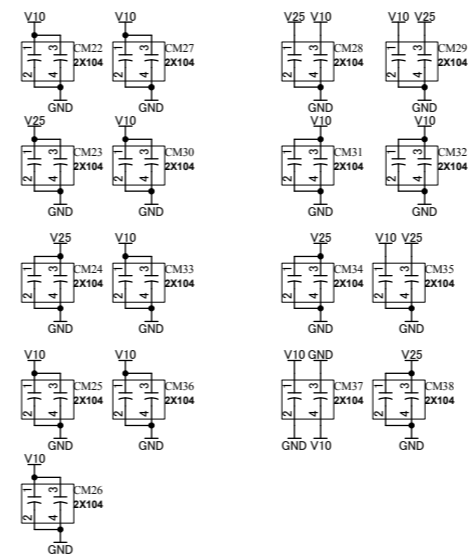
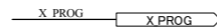
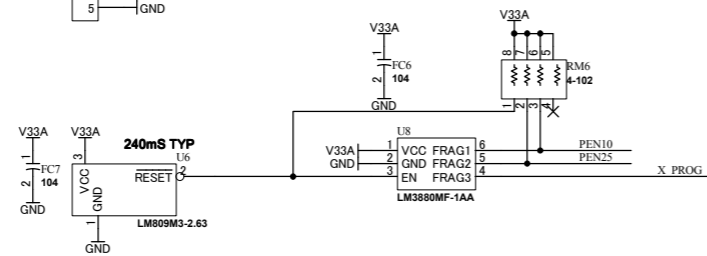
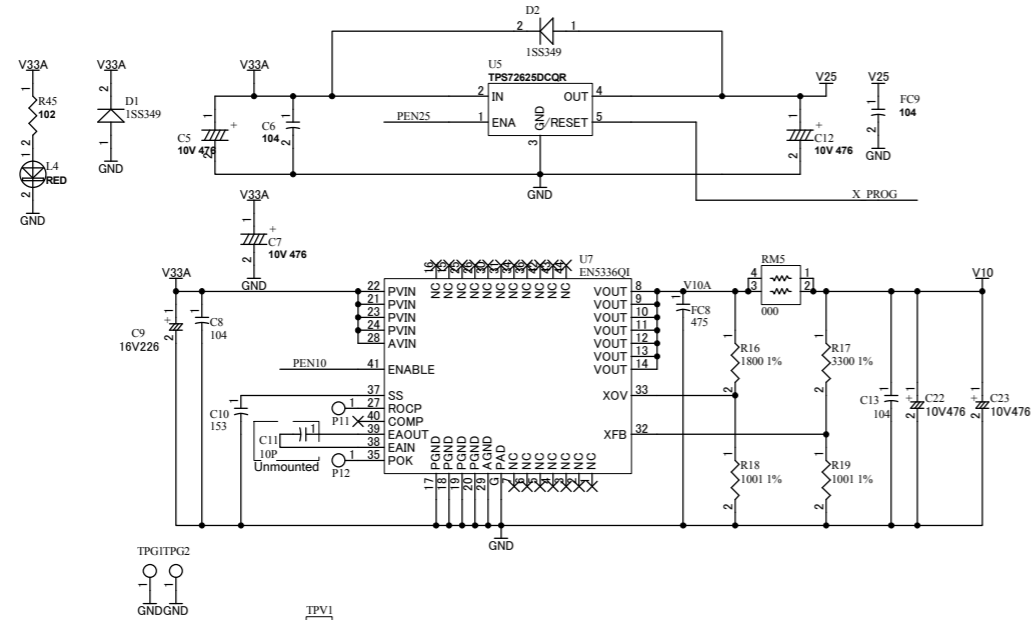
XCM203R1-SCH-B1.pdf

**HUMAN DATA LTD.**  
 OSAKA JAPAN  
[www.hdl.co.jp/en/\(Global\)](http://www.hdl.co.jp/en/(Global))  
[www.hdl.co.jp/\(Japan\)](http://www.hdl.co.jp/(Japan))

Virtex-5 FFG676 FPGA Board

|                           |                   |              |    |
|---------------------------|-------------------|--------------|----|
| Date: 8-Jul-2010 13:23:53 | File: XCM203B.sch | Sheet 1 of 4 | B1 |
| DOC. No.                  | XCM-203           |              |    |

V18 V18  
V10 V10  
V25 V25  
GND GND  
V33A V33A  
VIO(B) VIO(B)  
VIO(D) VIO(D)

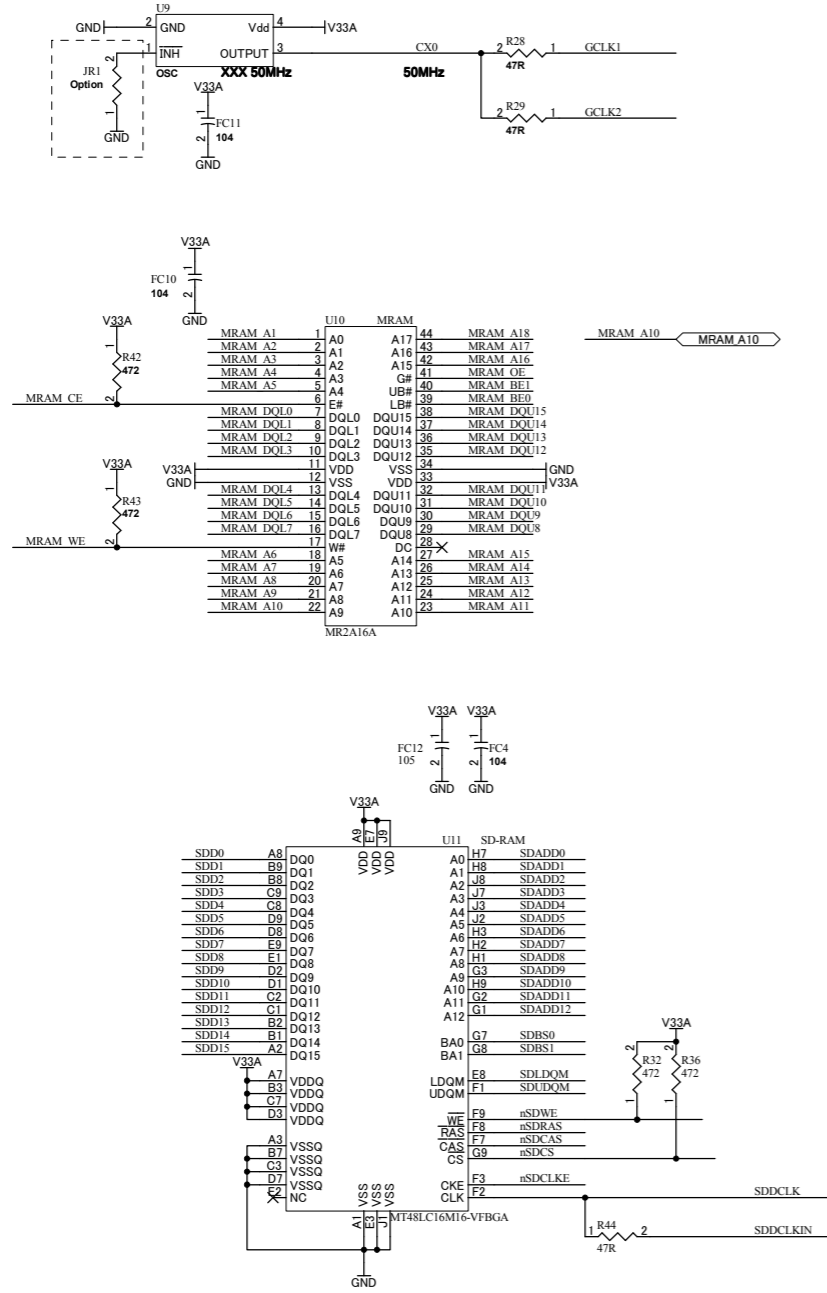


XCM203R1-SCH-B1.pdf

V18) V18  
V10) V10  
V25) V25  
GND) GND  
V33A) V33A  
VIO(B)) VIO(B)  
VIO(D)) VIO(D)

### SDRAM / MRAM

### CNA / CNC



| FPGA    |        |
|---------|--------|
| SDADD6  | H16    |
| SDADD8  | G18    |
| nSDCAS  | G14    |
| nSDWE   | F13    |
| SUDDOM  | H14    |
| nSDBRAS | H13    |
| SDADD9  | F15    |
| SDADD7  | G15    |
| SDADD10 | G16    |
| nSDCS   | H12    |
| SDADD1  | H11    |
| SDBS1   | G11    |
| SDADD5  | H17    |
| SDADD4  | G17    |
| SDBS0   | G10    |
| SDADD2  | G9     |
| SDADD11 | G19    |
| SDADD12 | H18    |
| SDADD0  | H9     |
| SDADD3  | H8     |
| V33A    | C10    |
| V33A    | F11    |
| V33A    | VCCO_1 |
| V33A    | VCCO_1 |

| FPGA   |        |
|--------|--------|
| SDD1   | E11    |
| SDD7   | E10    |
| SDD0   | F14    |
| SDD6   | E13    |
| SDD4   | D13    |
| SDD3   | D14    |
| GCLK2  | D15    |
| SDD13  | E15    |
| SDD15  | E16    |
| SDD12  | E17    |
| SDDCLK | F9     |
| SDDCLK | F10    |
| SDD10  | E18    |
| SDD8   | F19    |
| GCLK1  | F8     |
| SDD11  | F8     |
| SDD9   | F18    |
| SDD14  | F17    |
| SDD5   | F12    |
| SDD3   | E12    |
| V33A   | E14    |
| V33A   | D17    |
| V33A   | VCCO_3 |
| V33A   | VCCO_3 |

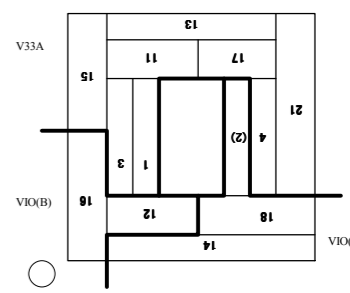
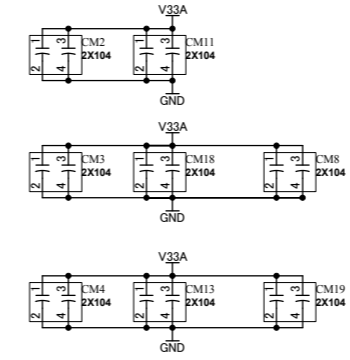
| FPGA        |         |
|-------------|---------|
| SDUDOM      | G22     |
| MRAM CE     | N19     |
| nSDCLKE     | G21     |
| MRAM DQ0.5  | P19     |
| MRAM A6     | G20     |
| MRAM A8     | F20     |
| MRAM BE1    | E21     |
| MRAM A9     | E20     |
| MRAM A18    | E22     |
| MRAM A17    | E23     |
| MRAM OE     | F22     |
| MRAM A16    | F23     |
| MRAM DQ0.12 | H21     |
| MRAM DQ0.14 | H22     |
| MRAM DQ0.6  | J19     |
| MRAM A7     | H19     |
| MRAM BE0    | H23     |
| MRAM DQ0.15 | J23     |
| MRAM DQ0.9  | J21     |
| MRAM DQ0.7  | J20     |
| MRAM DQ0.8  | K21     |
| MRAM A14    | K20     |
| MRAM DQ0.13 | K23     |
| MRAM DQ0.10 | K22     |
| MRAM A4     | L20     |
| MRAM WE     | L19     |
| MRAM A12    | M22     |
| MRAM A11    | M21     |
| MRAM A15    | M20     |
| MRAM DQ0.4  | M19     |
| MRAM A5     | P23     |
| MRAM A2     | N23     |
| MRAM A1     | N22     |
| MRAM A3     | N21     |
| MRAM DQ0.2  | R22     |
| MRAM DQ0.0  | R23     |
| MRAM DQ0.1  | P21     |
| MRAM DQ0.3  | P20     |
| MRAM A13    | L22     |
| MRAM DQ0.11 | L23     |
| V33A        | F21     |
| V33A        | J22     |
| V33A        | H25     |
| V33A        | VCCO_11 |
| V33A        | VCCO_11 |
| V33A        | VCCO_11 |

| FPGA  |         |
|-------|---------|
| IOA35 | C17     |
| IOA16 | A27     |
| IOA37 | D18     |
| IOA15 | A23     |
| IOA32 | G14     |
| IOA1  | B14     |
| IOA0  | A14     |
| IOA2  | A15     |
| IOA3  | B15     |
| IOA4  | B16     |
| IOA34 | D16     |
| IOA33 | C16     |
| IOA6  | B17     |
| IOA5  | A17     |
| IOA7  | A18     |
| IOA8  | A19     |
| IOA9  | B19     |
| IOA36 | C18     |
| IOA10 | A20     |
| IOA11 | B20     |
| IOA8  | C19     |
| IOA39 | D19     |
| IOA42 | D21     |
| IOA40 | D20     |
| IOA41 | C21     |
| IOA12 | E21     |
| IOA14 | B22     |
| IOA13 | A22     |
| IOA17 | B24     |
| IOA45 | C24     |
| IOA46 | D24     |
| IOA47 | C24     |
| IOA19 | B25     |
| IOA18 | A25     |
| IOA30 | E25     |
| IOA21 | C26     |
| IOA23 | D26     |
| IOA22 | D25     |
| IOA43 | C22     |
| IOA44 | D23     |
| V33A  | C20     |
| V33A  | B23     |
| V33A  | E24     |
| V33A  | VCCO_15 |
| V33A  | VCCO_15 |
| V33A  | VCCO_15 |

| FPGA  |         |
|-------|---------|
| IOA31 | J26     |
| IOA17 | J26     |
| IOA30 | J25     |
| IOA19 | V26     |
| IOA48 | F24     |
| IOA26 | F25     |
| IOA24 | E25     |
| IOA25 | E26     |
| IOA28 | G26     |
| IOA29 | H26     |
| IOA49 | G24     |
| IOA27 | G25     |
| IOA50 | H24     |
| IOA31 | J24     |
| IOA52 | L24     |
| IOA53 | L25     |
| IOA54 | K25     |
| IOA55 | K26     |
| IOA57 | M25     |
| IOA58 | M26     |
| IOA56 | M24     |
| IOA59 | N24     |
| IOA61 | P26     |
| IOA60 | N26     |
| IOA63 | P24     |
| IOA62 | P25     |
| IOA63 | P24     |
| IOA33 | T24     |
| IOA16 | T25     |
| IOA45 | U24     |
| IOA18 | U25     |
| IOA21 | W25     |
| IOA20 | W26     |
| IOA23 | Y25     |
| IOA22 | Y26     |
| IOA26 | AB25    |
| IOA24 | AA25    |
| IOA27 | AC26    |
| IOA25 | AB26    |
| IOA14 | R26     |
| IOA15 | R25     |
| V33A  | N20     |
| V33A  | M23     |
| V33A  | R24     |
| V33A  | VCCO_13 |
| V33A  | VCCO_13 |
| V33A  | VCCO_13 |

| FPGA  |         |
|-------|---------|
| IOCS1 | W23     |
| IOA4  | U20     |
| IOA9  | W24     |
| IOA2  | U19     |
| IOA46 | T23     |
| IOA48 | T22     |
| IOA44 | R21     |
| IOA42 | R20     |
| IOA3  | T20     |
| IOA1  | T19     |
| IOA5  | U22     |
| IOA6  | U21     |
| IOA47 | V24     |
| IOA50 | V23     |
| IOA53 | AA23    |
| IOA52 | AA24    |
| IOA8  | Y22     |
| IOA10 | Y23     |
| IOA58 | AC23    |
| IOA60 | AC22    |
| IOA54 | AB24    |
| IOA56 | AC24    |
| IOA57 | AB22    |
| IOA55 | AA22    |
| IOA62 | AC21    |
| IOA59 | AB21    |
| IOA11 | W21     |
| IOA32 | W20     |
| IOA0  | V19     |
| IOA33 | Y21     |
| IOA12 | Y21     |
| IOA28 | Y20     |
| IOA31 | AD19    |
| IOA63 | AD19    |
| IOA61 | AE20    |
| IOA29 | AE19    |
| IOA13 | AA20    |
| IOA30 | AA19    |
| IOA7  | V22     |
| IOA9  | V21     |
| V33A  | T21     |
| V33A  | W22     |
| V33A  | VCCO_17 |
| V33A  | VCCO_17 |
| V33A  | VCCO_17 |

| FPGA    |         |
|---------|---------|
| IOA68   | AE23    |
| IOA72   | AE23    |
| IOA83   | AE12    |
| AD24    | AD24    |
| AD23    | AD23    |
| AE26    | AE26    |
| AD26    | AD26    |
| AF24    | AF24    |
| AE25    | AE25    |
| AD20    | AD20    |
| AD21    | AD21    |
| AD20    | AD20    |
| AE21    | AE21    |
| AE22    | AE22    |
| AE21    | AE21    |
| AE22    | AE22    |
| AE18    | AE18    |
| AE19    | AE19    |
| AE20    | AE20    |
| AF17    | AF17    |
| AE17    | AE17    |
| AD16    | AD16    |
| AE16    | AE16    |
| AD16    | AD16    |
| AE14    | AE14    |
| AE13    | AE13    |
| AE12    | AE12    |
| AE11    | AE11    |
| AE10    | AE10    |
| AE10    | AE10    |
| AF9     | AF9     |
| AE7     | AE7     |
| AE7     | AE7     |
| AE7     | AE7     |
| AE8     | AE8     |
| AD9     | AD9     |
| AE15    | AE15    |
| AE15    | AE15    |
| VCCO_21 | VCCO_21 |
| VCCO_21 | VCCO_21 |
| VCCO_21 | VCCO_21 |



**HUMANDATA**

HuMANDATA LTD.  
OSAKA JAPAN  
www.hdl.co.jp/en/(Global)  
www.hdl.co.jp/(Japan)

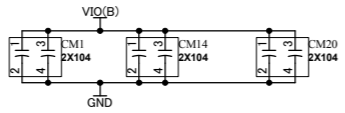
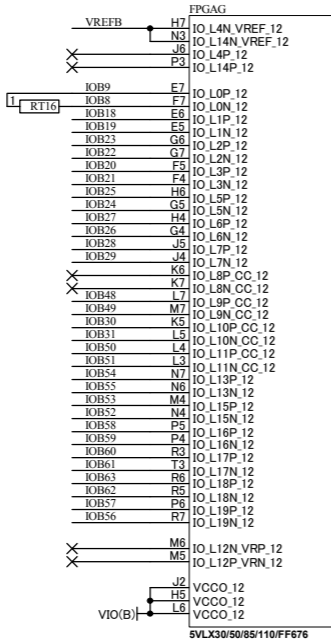
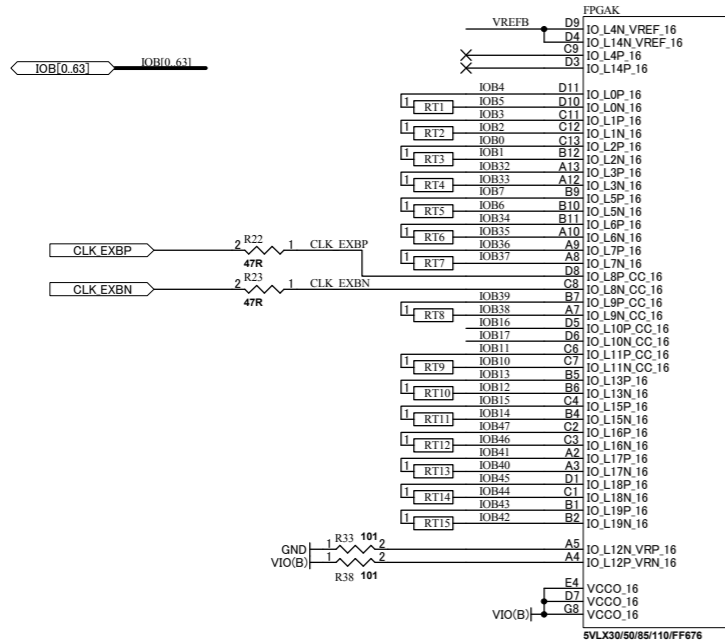
Virtex-5 FFG676 FPGA Board

|          |            |              |
|----------|------------|--------------|
| DOC. No. | XCM-203    | B1           |
| Date:    | 8-Jul-2010 | 13:23:54     |
| File:    | X5IOAC.sch | Sheet 3 of 4 |

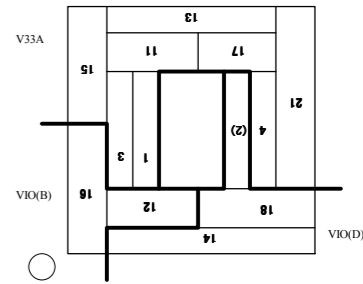
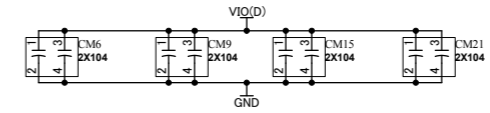
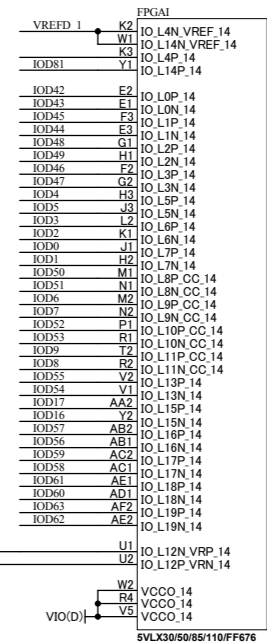
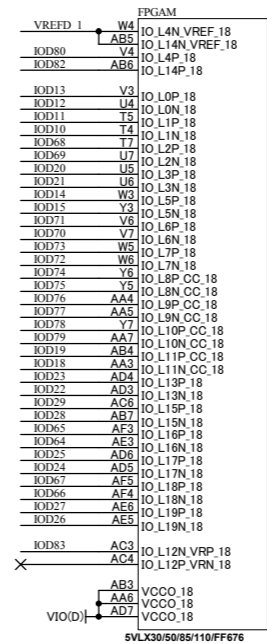
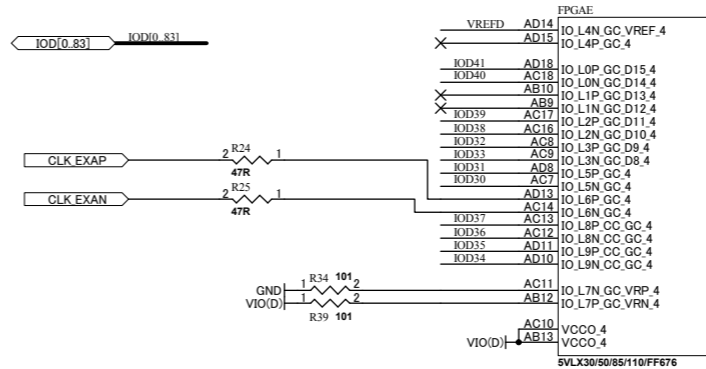
XCM203R1-SCH-B1.pdf

V18| V18  
V10| V10  
V25| V25  
GND| GND  
V33A| V33A  
VIO(B)| VIO(B)  
VIO(D)| VIO(D)

CNB



CND



XCM203R1-SCH-B1.pdf