

HUMAN DATA 2006/07/20

HuMANDATA LTD.
 OSAKA JAPAN
 www.hdl.co.jp

Virtex4FF668EVABOARD

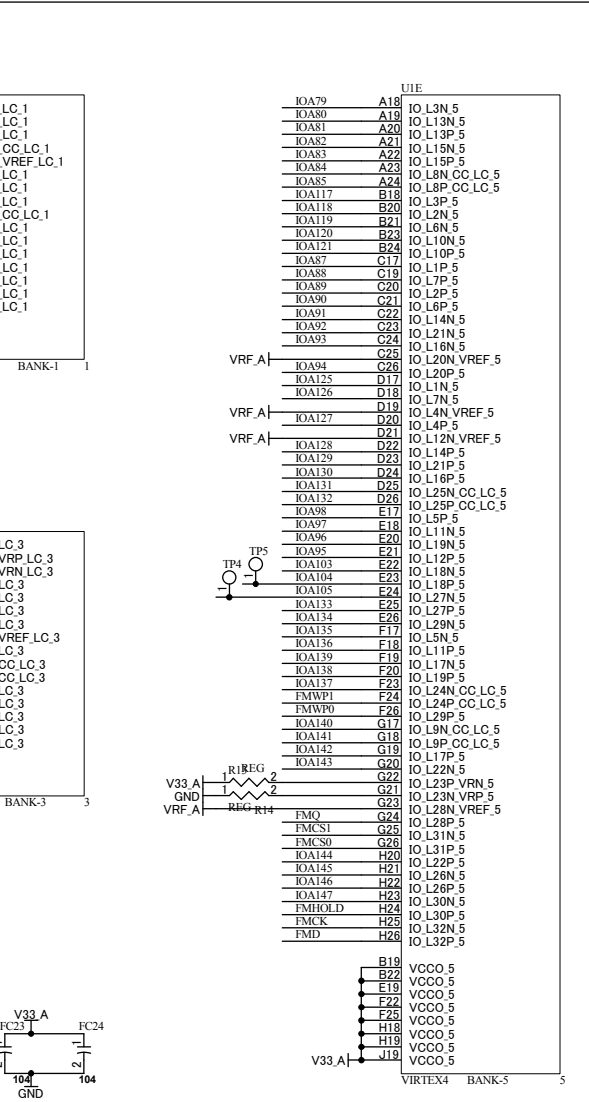
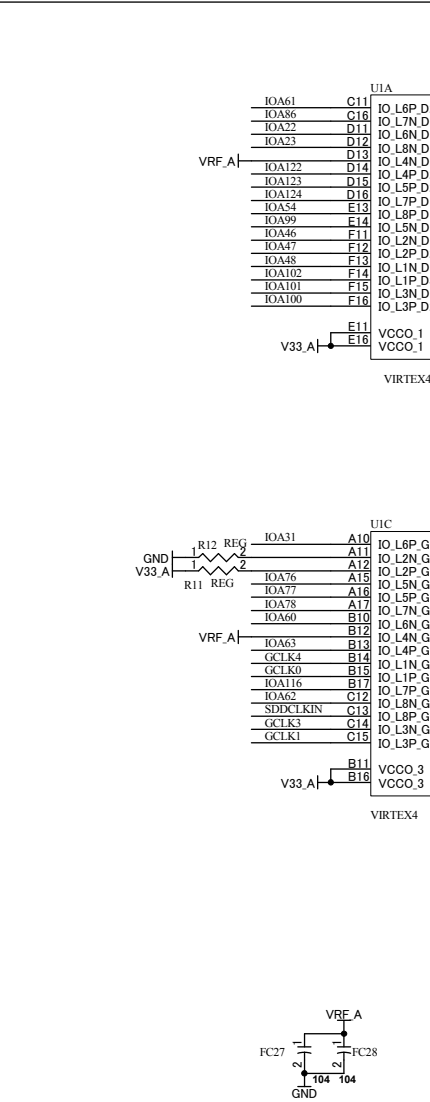
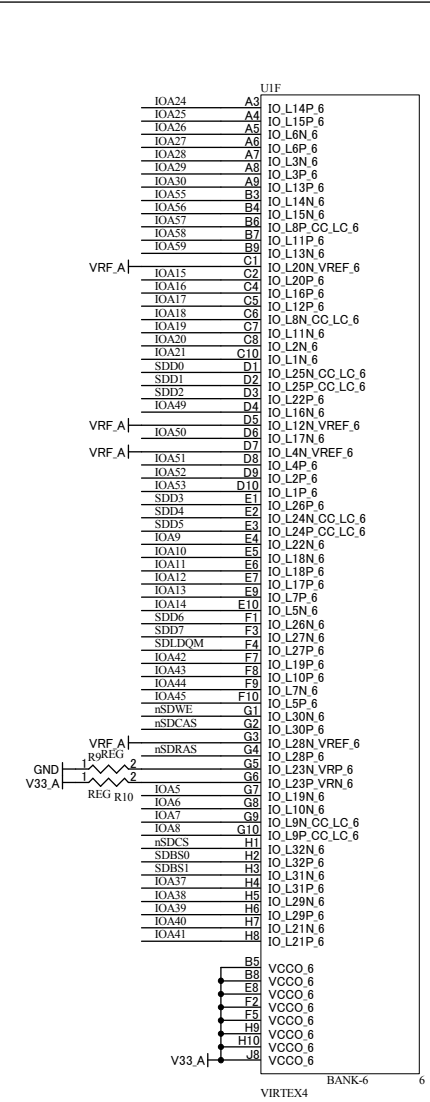
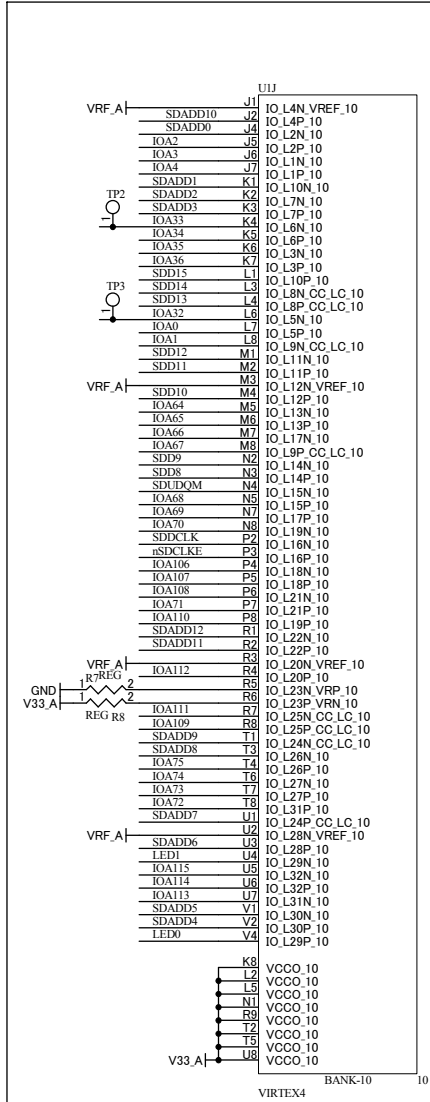
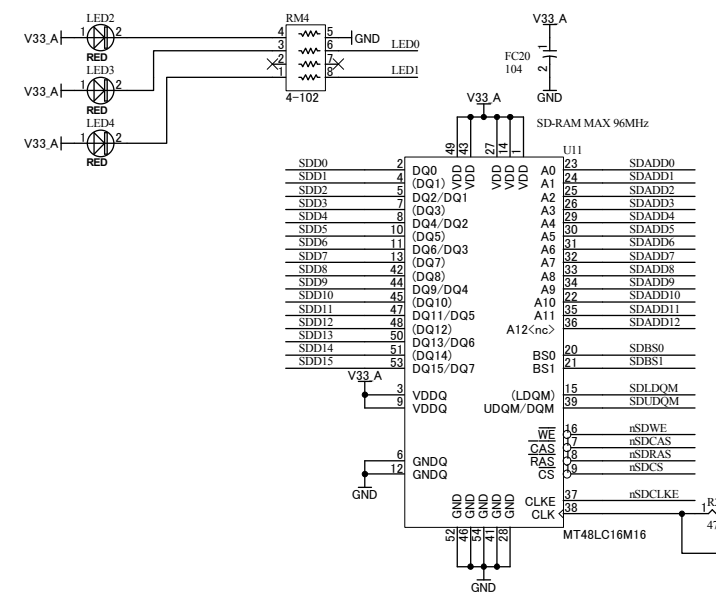
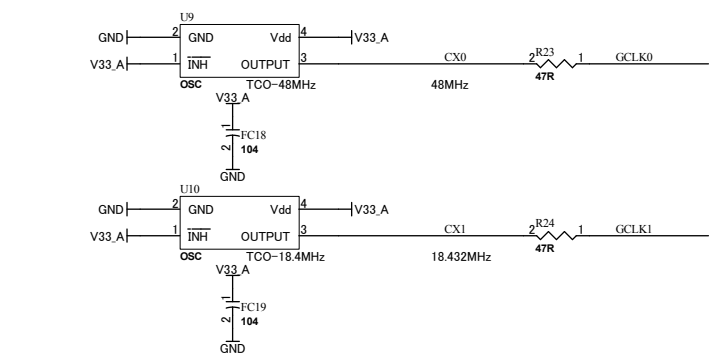
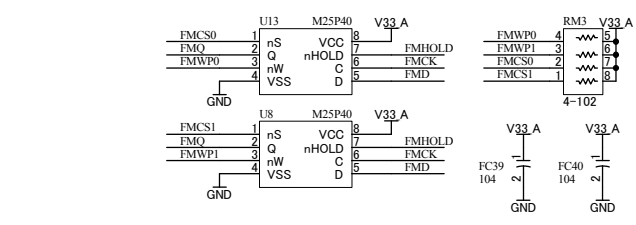
DOC. No. XCM-201

Date: 20-Jul-2006 09:53:09 File: XCM201B.sch Sheet 1 of 3

V12	V12
V25	V25
V33.A	V33.A
V33.B	V33.B
V33.C	V33.C
V33.D	V33.D
VRF.A	VRF.A
VRF.B	VRF.B
VRF.C	VRF.C
VRF.D	VRF.D
GND	GND

IOA[0..147]	IOA[0..147]
IOB[0..73]	IOB[0..73]

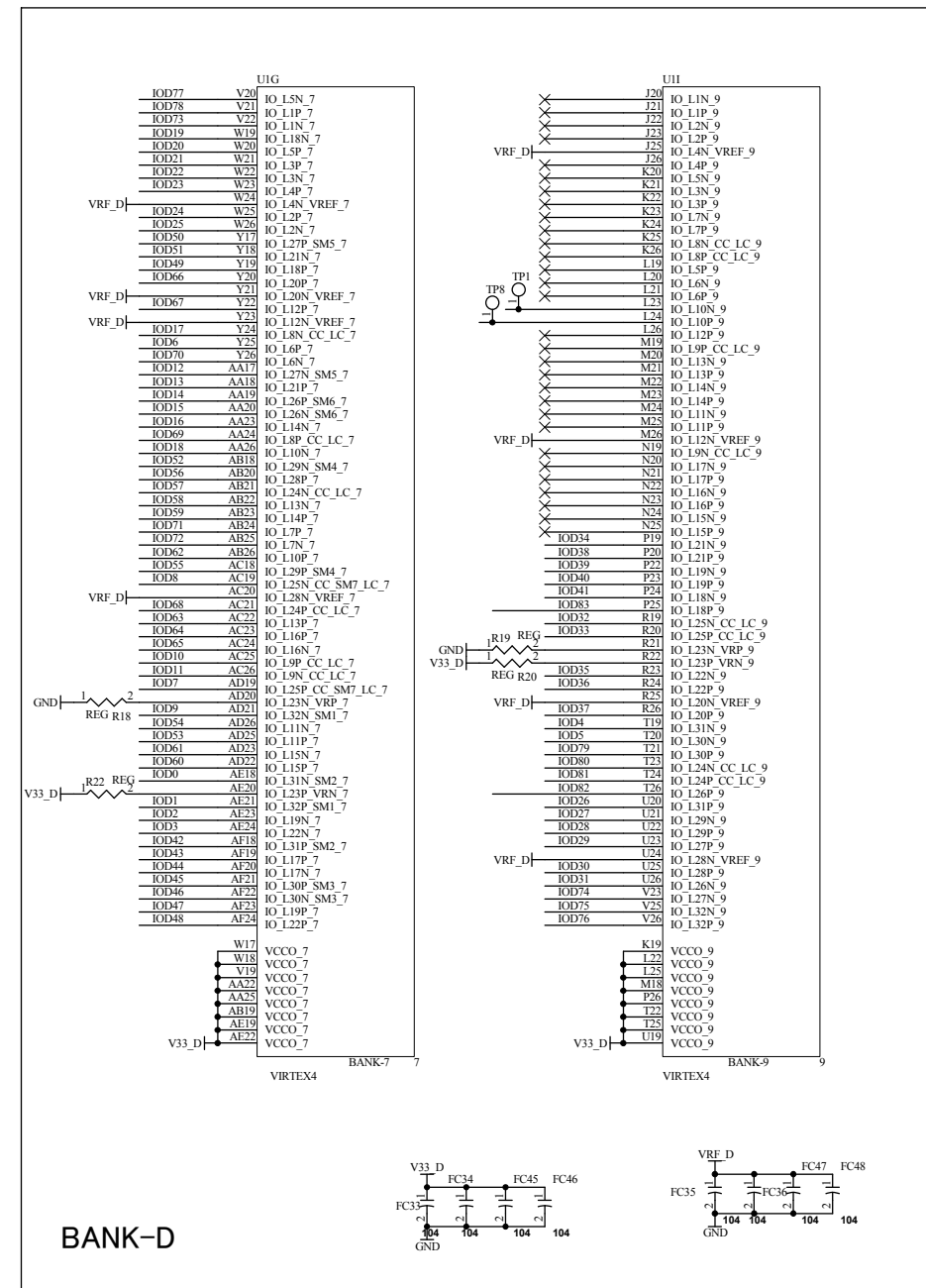
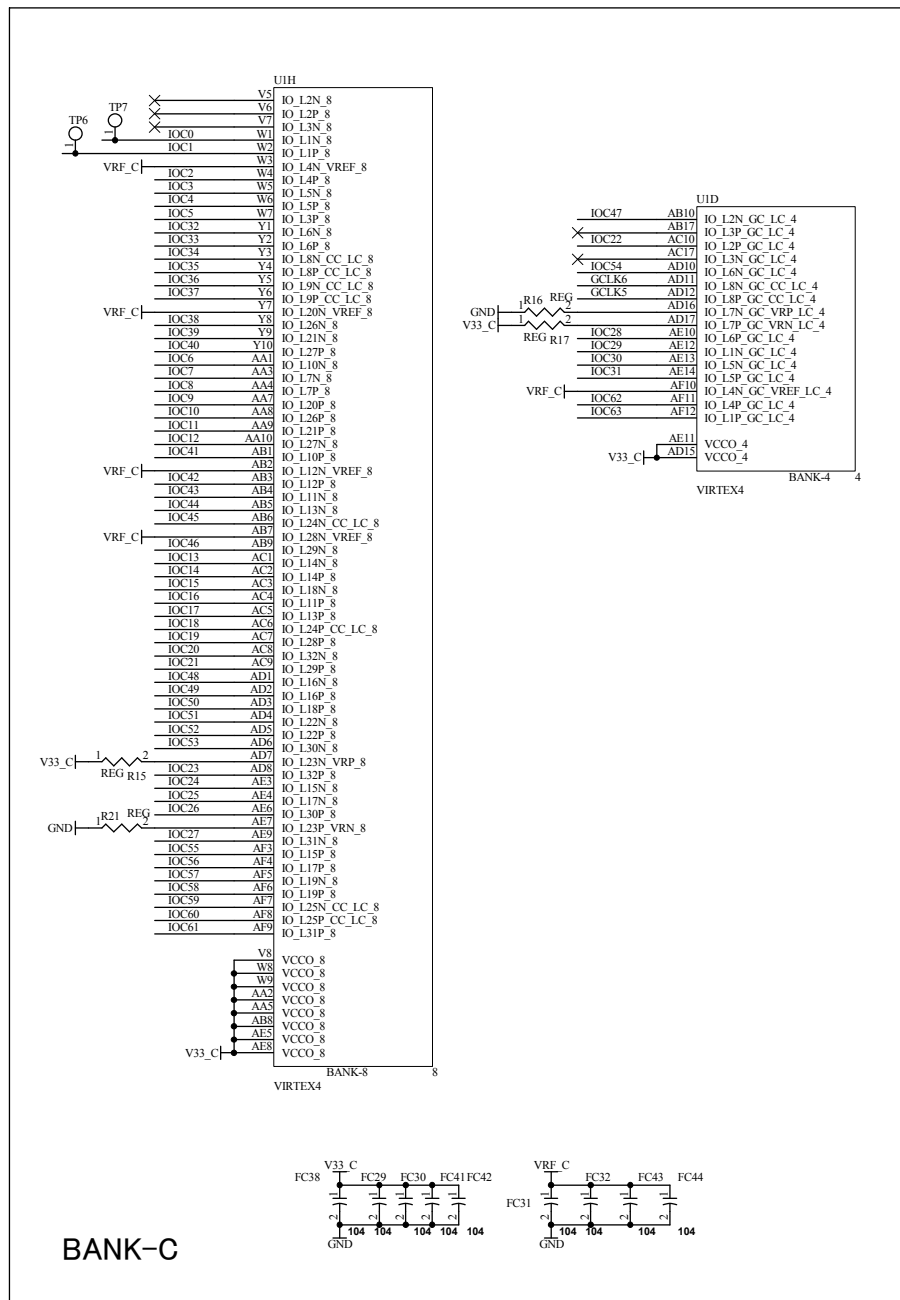
CLK-A	GCLK3
CLK-B	GCLK4



HUMAN DATA		Virtex4FF668EVABORD	
HuMANDATA LTD. OSAKA JAPAN www.hdl.co.jp		DOC. No.	XCM-201
Date:	20-Jul-2006	File:	IOAB.sch
	09:53:11	Sheet	2 of 3

V12	V12
V25	V25
V33_A	V33_A
V33_B	V33_B
V33_C	V33_C
V33_D	V33_D
VRF_A	VRF_A
VRF_B	VRF_B
VRF_C	VRF_C
VRF_D	VRF_D
GND	GND

IOC0.63	IOC0.63
IOD0.83	IOD0.83
CLK-A	GCLK5
CLK-B	GCLK6



HuMANDATA LTD.
OSAKA JAPAN
www.hdl.co.jp

Virtex4FF668EVABOARD