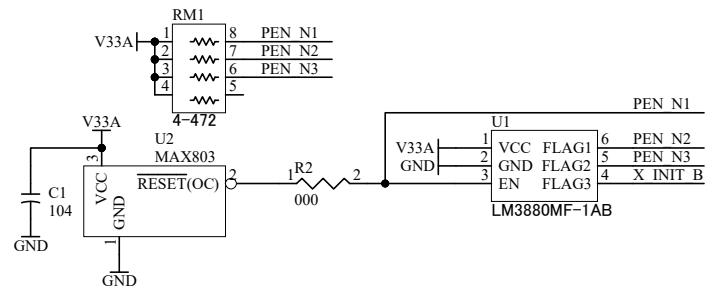
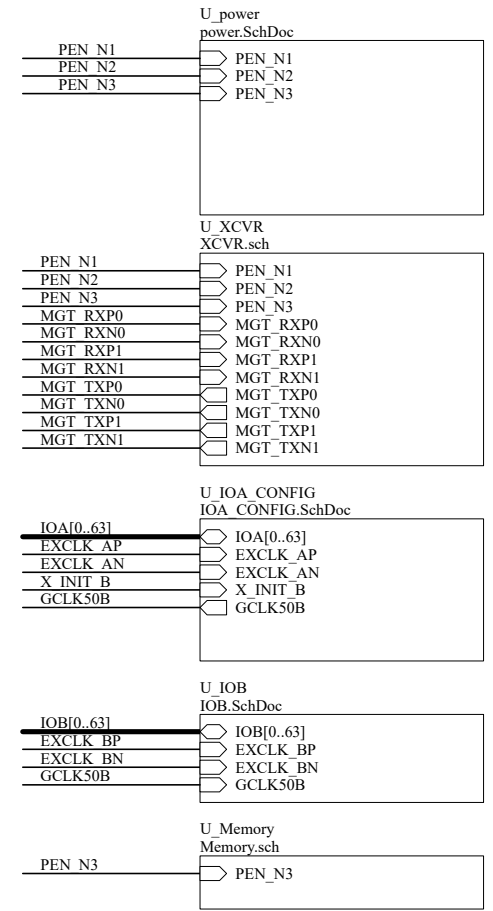
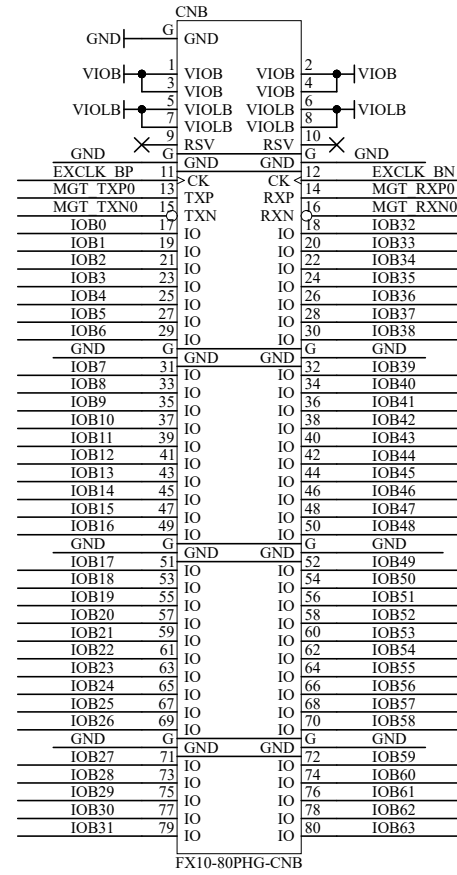
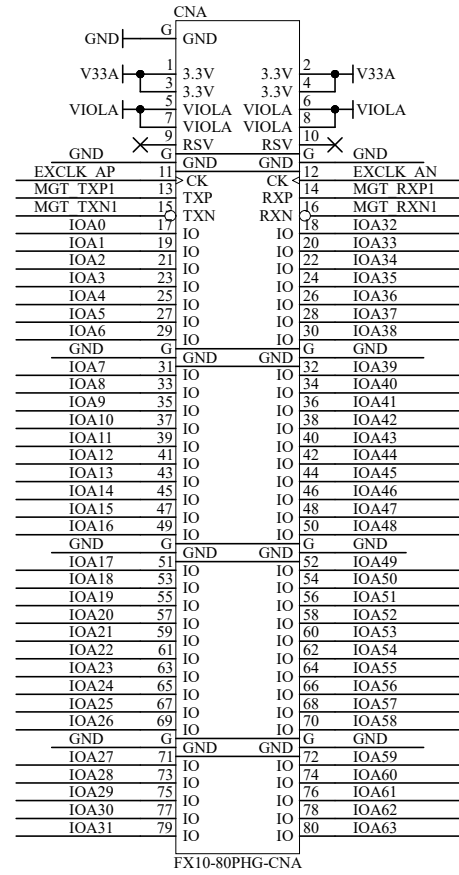
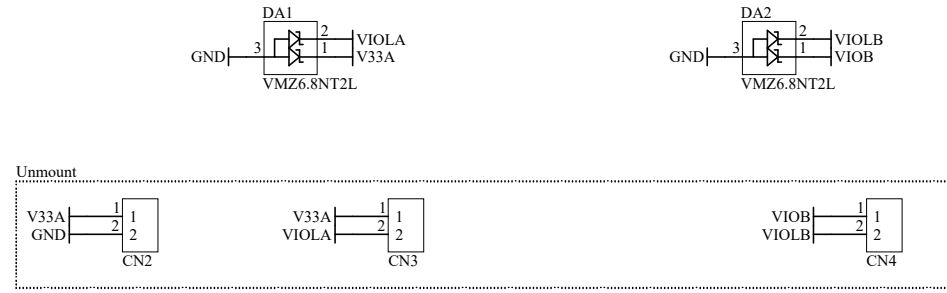




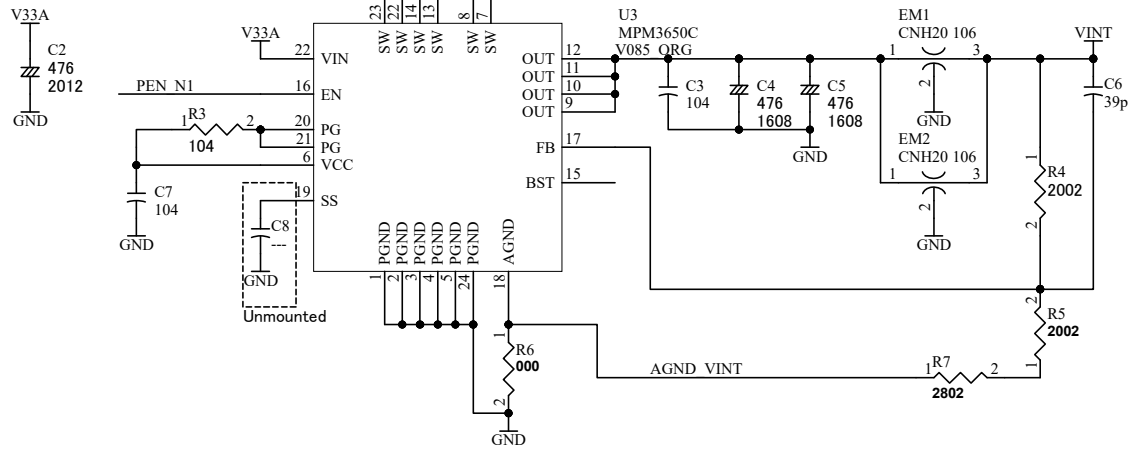
[POWER]



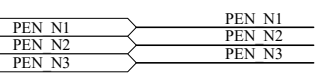
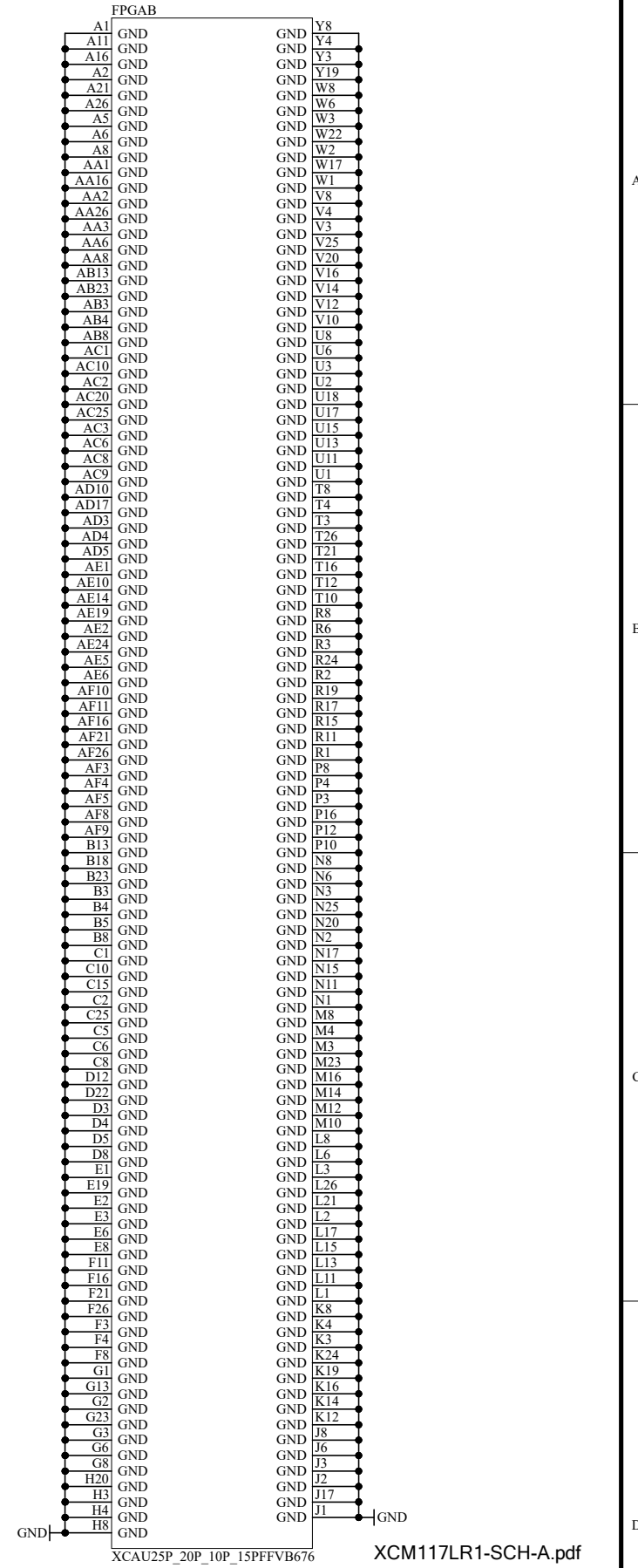
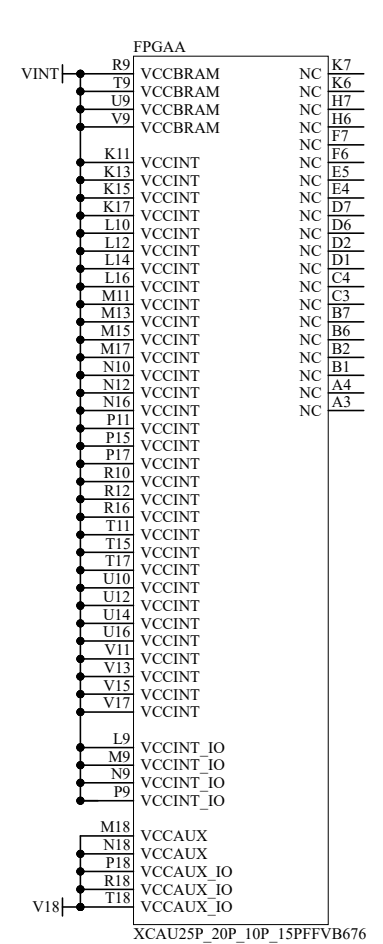
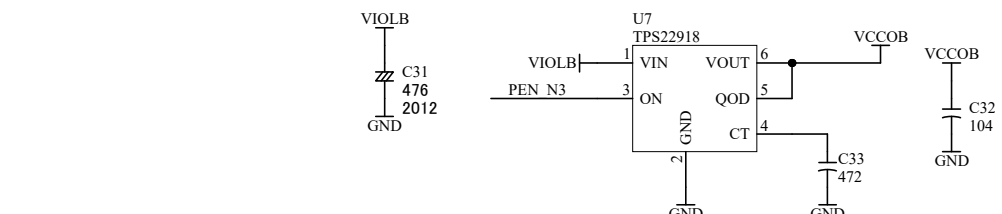
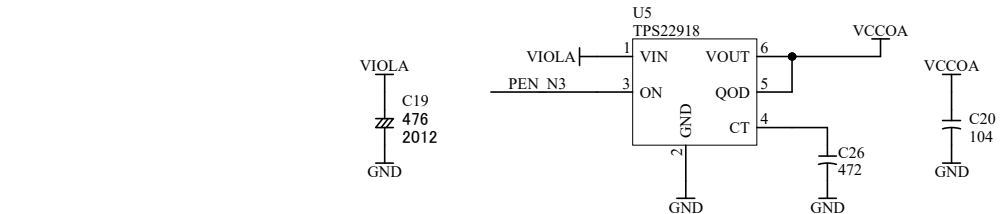
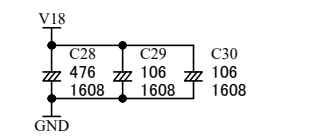
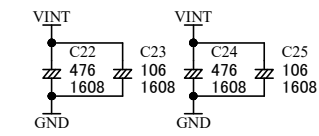
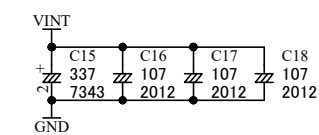
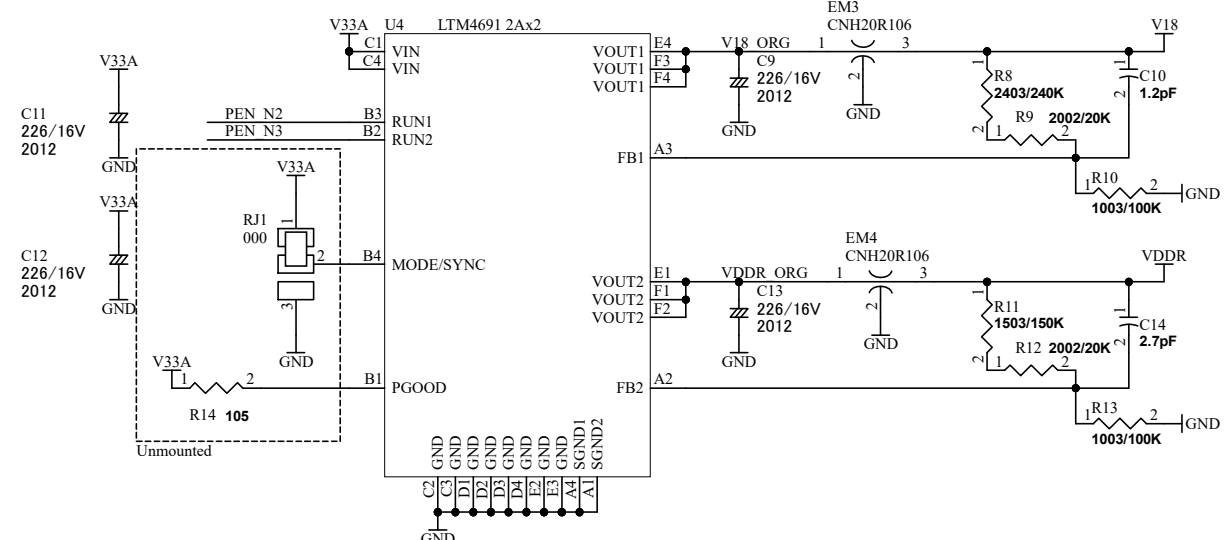
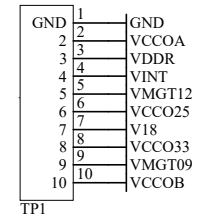
XCM117LR1-SCH-A.pdf

**HUMAN DATA**  
 HuMANDATA LTD.  
[www.hdl.co.jp/](http://www.hdl.co.jp/) (Japan)  
[www2.hdl.co.jp/en/](http://www2.hdl.co.jp/en/) (Global)

DSN:	TITLE: Artix UltraScale+ FFVB676 FPGA Board
DOC. No: XCM-117L	A
FILE: XCM117LA.sch	DATE: 2022/07/15 10:05:30
Sheet: 1 / 6	V7.20200731



VINT=0.85V  
VDDR=1.35V

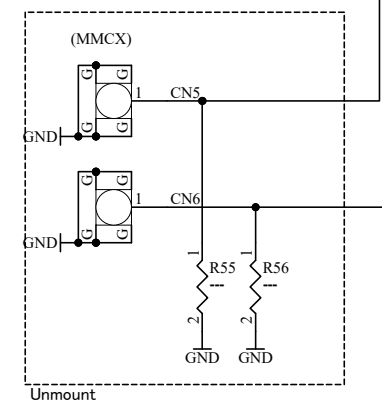
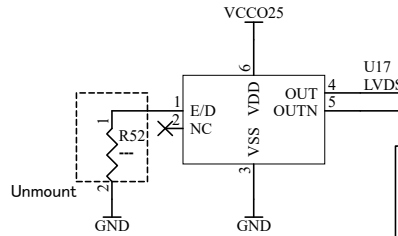
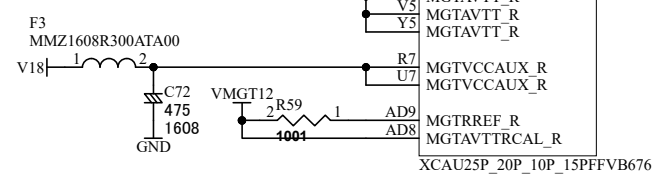
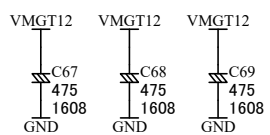
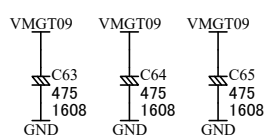
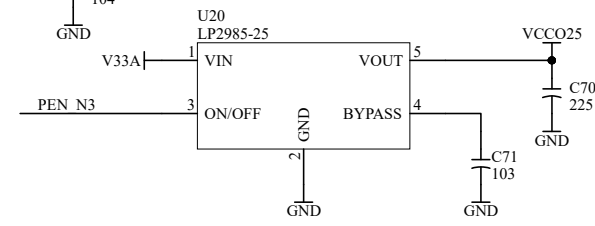
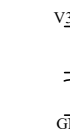
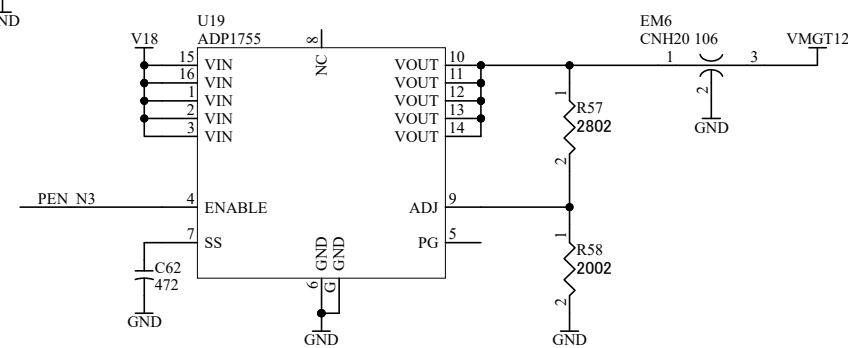
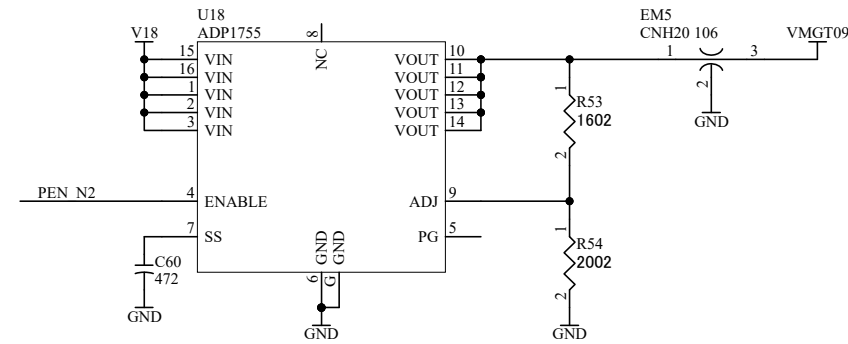


**HUMAN DATA**  
HuMANDATA LTD.  
[www.hdl.co.jp/](http://www.hdl.co.jp/) (Japan)  
[www2.hdl.co.jp/en/](http://www2.hdl.co.jp/en/) (Global)

DSN:	TITLE: Artix UltraScale+ FFVB676 FPGA Board
DOC. No: XCM-117L	A
FILE: power.SchDoc	DATE: 2022/07/15 10:05:30
Sheet: 2 / 6	V7.20200731

MGT TXP0 MGT TXN0  
 MGT RXN0 MGT RXN0  
 MGT TXP1 MGT TXN1  
 MGT RXN1 MGT RXN1  
 PEN N1 PEN N2  
 PEN N2 PEN N3

PEN N1  
 PEN N2  
 PEN N3

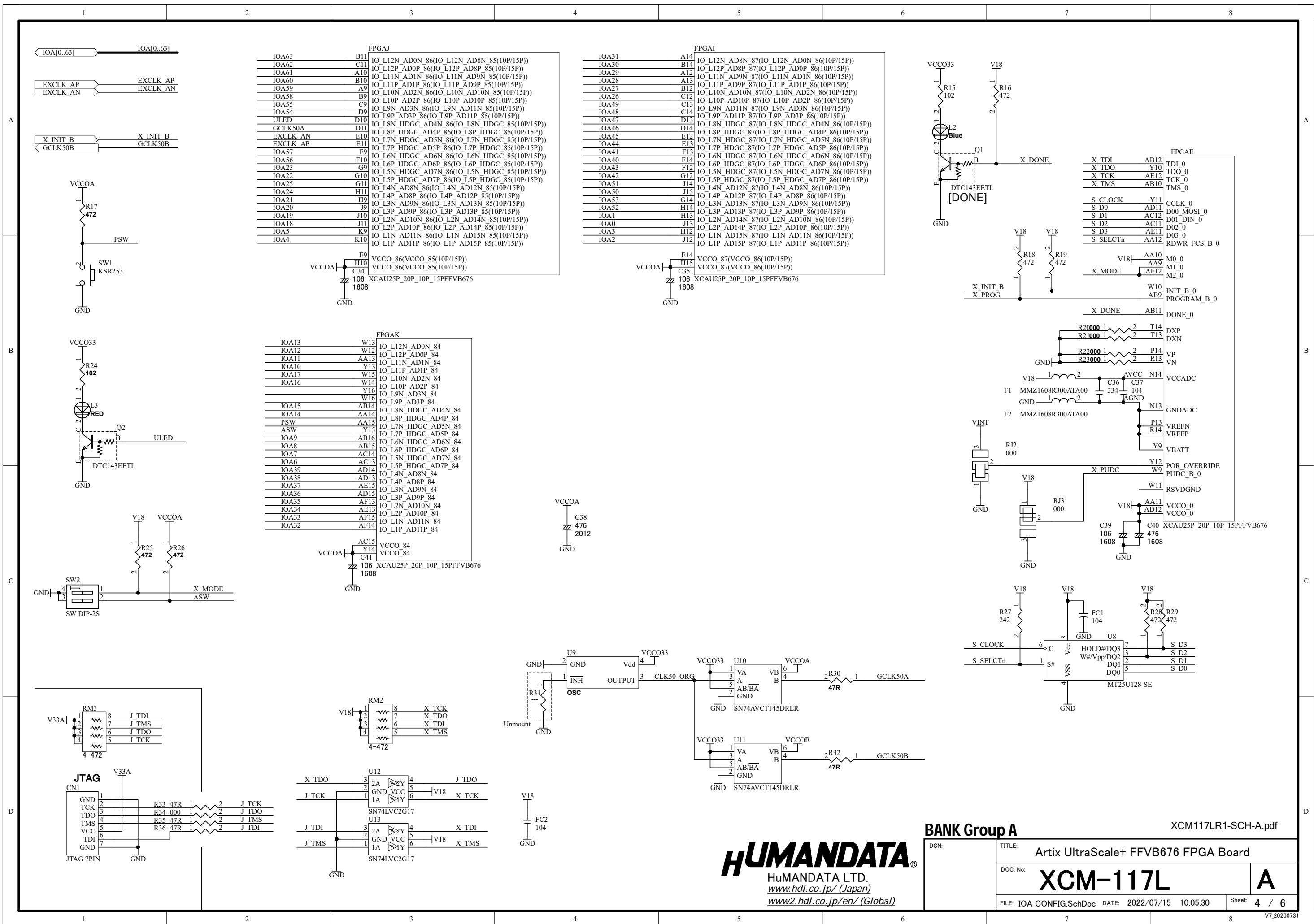


FPGA	
MGTREFCLK0P_224	AB7
MGTREFCLK0N_224	AB6
MGTREFCLK1P_224	Y7
MGTREFCLK1N_224	Y6
MGT TXP0_224(MGHTXP0_224(10P/15P))	AF7
MGT TXN0_224(MGHTXN0_224(10P/15P))	AF6
MGT TXP1_224(MGHTXP1_224(10P/15P))	AE9
MGT TXN1_224(MGHTXN1_224(10P/15P))	AE8
MGT TXP2_224(MGHTXP2_224(10P/15P))	AD7
MGT TXN2_224(MGHTXN2_224(10P/15P))	AD6
MGT TXP3_224(MGHTXP3_224(10P/15P))	AC5
MGT TXN3_224(MGHTXN3_224(10P/15P))	AC4
MGT RXP0_224(MGTHRXP0_224(10P/15P))	AF2
MGT RXN0_224(MGTHRXP0_224(10P/15P))	AF1
MGT RXP1_224(MGTHRXP1_224(10P/15P))	AE4
MGT RXN1_224(MGTHRXP1_224(10P/15P))	AE3
MGT RXP2_224(MGTHRXP2_224(10P/15P))	AD2
MGT RXN2_224(MGTHRXP2_224(10P/15P))	AD1
MGT RXP3_224(MGTHRXP3_224(10P/15P))	AB2
MGT RXN3_224(MGTHRXP3_224(10P/15P))	AB1
MGTREFCLK0P_225	V7
MGTREFCLK0N_225	V6
MGTREFCLK1P_225	T7
MGTREFCLK1N_225	T6
MGT TXP0_225(MGHTXP0_225(10P/15P))	AA5
MGT TXN0_225(MGHTXN0_225(10P/15P))	AA4
MGT TXP1_225(MGHTXP1_225(10P/15P))	W5
MGT TXN1_225(MGHTXN1_225(10P/15P))	W4
MGT TXP2_225(MGHTXP2_225(10P/15P))	U5
MGT TXN2_225(MGHTXN2_225(10P/15P))	U4
MGT TXP3_225(MGHTXP3_225(10P/15P))	R5
MGT TXN3_225(MGHTXN3_225(10P/15P))	R4
MGT RXP0_225(MGTHRXP0_225(10P/15P))	Y2
MGT RXN0_225(MGTHRXP0_225(10P/15P))	Y1
MGT RXP1_225(MGTHRXP1_225(10P/15P))	V2
MGT RXN1_225(MGTHRXP1_225(10P/15P))	V1
MGT RXP2_225(MGTHRXP2_225(10P/15P))	T2
MGT RXN2_225(MGTHRXP2_225(10P/15P))	T1
MGT RXP3_225(MGTHRXP3_225(10P/15P))	P2
MGT RXN3_225(MGTHRXP3_225(10P/15P))	P1
MGTREFCLK0P_226	M7
MGTREFCLK0N_226	M6
MGTREFCLK1P_226	N5
MGTREFCLK1N_226	N4
MGT TXP0_226(MGHTXP0_226(10P/15P))	L5
MGT TXN0_226(MGHTXN0_226(10P/15P))	L4
MGT TXP1_226(MGHTXP1_226(10P/15P))	J5
MGT TXN1_226(MGHTXN1_226(10P/15P))	J4
MGT TXP2_226(MGHTXP2_226(10P/15P))	G5
MGT TXN2_226(MGHTXN2_226(10P/15P))	G4
MGT TXP3_226(MGHTXP3_226(10P/15P))	M2
MGT TXN3_226(MGHTXN3_226(10P/15P))	M1
MGT RXP0_226(MGTHRXP0_226(10P/15P))	K2
MGT RXN0_226(MGTHRXP0_226(10P/15P))	K1
MGT RXP1_226(MGTHRXP1_226(10P/15P))	H2
MGT RXN1_226(MGTHRXP1_226(10P/15P))	H1
MGT RXP2_226(MGTHRXP2_226(10P/15P))	F2
MGT RXN2_226(MGTHRXP2_226(10P/15P))	F1
MGT RXP3_226(MGTHRXP3_226(10P/15P))	
MGT RXN3_226(MGTHRXP3_226(10P/15P))	

FPGA	
VMGT09	AA7 MGTAVCC_R
	AC7 MGTAVCC_R
	J7 MGTAVCC_R
	L7 MGTAVCC_R
	N7 MGTAVCC_R
	W7 MGTAVCC_R
VMGT12	A7 MGTAVTT_R
	AB5 MGTAVTT_R
	AE7 MGTAVTT_R
	C7 MGTAVTT_R
	E7 MGTAVTT_R
	F5 MGTAVTT_R
	G7 MGTAVTT_R
	H5 MGTAVTT_R
	K5 MGTAVTT_R
	M5 MGTAVTT_R
	P5 MGTAVTT_R
	T5 MGTAVTT_R
	V5 MGTAVTT_R
	Y5 MGTAVTT_R
	R7 MGTVCCAUX_R
	U7 MGTVCCAUX_R
	AD9 MGTTRREF_R
	AD8 MGTAVTTRCAL_R



DSN:	TITLE: Artix UltraScale+ FFVB676 FPGA Board
DOC. No: XCM-117L	A
FILE: XCVR.sch	DATE: 2022/07/15 10:05:30
Sheet: 3 / 6	V7.20200731

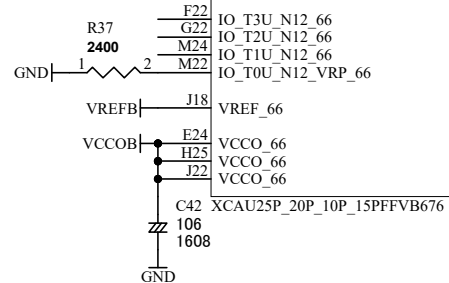


<b>BANK Group A</b>		XCM117LR1-SCH-A.pdf	
DSN:	TITLE: Artix UltraScale+ FFVB676 FPGA Board		
DOC. No:	<b>XCM-117L</b>		<b>A</b>
FILE: IOA_CONFIG.SchDoc	DATE: 2022/07/15 10:05:30	Sheet:	4 / 6

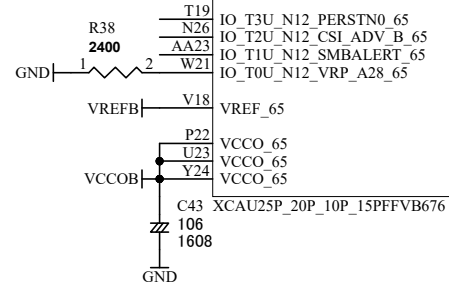
IOB[0..63] IOB[0..63]

EXCLK BP EXCLK BP  
EXCLK BN EXCLK BN  
GCLK50B GCLK50B

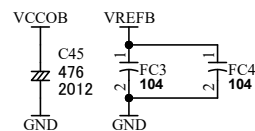
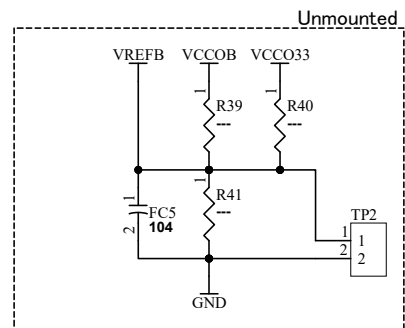
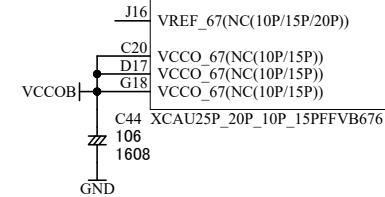
FPGAF	
IOB63	B26
IOB62	B25
IOB61	C26
IOB60	D26
IOB21	C24
IOB20	D23
IOB59	D25
IOB58	D24
IOB19	E23
IOB18	F23
IOB57	E26
IOB56	E25
IOB11	H22
IOB10	H21
IOB25	G26
IOB24	H26
IOB17	F25
IOB16	F24
IOB23	J26
IOB22	J25
IOB13	H24
IOB12	H23
IOB15	G25
IOB14	G24
	J24
	J23
IOB51	K23
IOB50	K22
IOB53	L25
IOB52	L24
IOB55	K26
IOB54	K25
IOB49	M26
IOB48	M25
IOB47	L23
IOB46	L22
IOB29	K20
IOB28	L20
IOB27	J21
IOB26	K21
IOB45	L19
IOB44	M19
IOB31	J20
IOB30	J19
IOB42	M21
IOB43	M20
	K18
	L18



FPGAG	
IOB5	N22
IOB4	N21
IOB1	P19
IOB0	N19
IOB41	P23
IOB40	N23
IOB3	R21
IOB2	R20
IOB9	P21
IOB8	P20
IOB7	R23
IOB6	R22
IOB35	R26
IOB34	R25
IOB37	P26
IOB36	P25
IOB33	V26
IOB32	U26
IOB39	P24
IOB38	N24
EXCLK BN	U25
EXCLK BP	T25
	U24
	T24
	W24
	V24
	W23
	V23
	W26
	W25
	AA25
	AA24
	Y26
	Y25
	Y23
	Y22
	W20
	W19
	T23
	T22
	V22
	V21
	U20
	T20
	U22
	U21
	V19
	U19



FPGAL	
A15	IO L17N T2U N9 AD10N 67(NC(10P/15P/20P))
A17	IO L16P T2U N6 QBC AD3P 67(NC(10P/15P/20P))
A18	IO L16N T2U N7 QBC AD3N 67(NC(10P/15P/20P))
A19	IO L18P T2U N10 AD2P 67(NC(10P/15P/20P))
A20	IO L18N T2U N11 AD2N 67(NC(10P/15P/20P))
A22	IO L19P T3L N0 DBC AD9P 67(NC(10P/15P/20P))
A23	IO L19N T3L N1 DBC AD9N 67(NC(10P/15P/20P))
A24	IO L23P T3U N8 67(NC(10P/15P/20P))
A25	IO L23N T3U N9 67(NC(10P/15P/20P))
B15	IO L17P T2U N8 AD10P 67(NC(10P/15P/20P))
B16	IO T2U N12 67(NC(10P/15P/20P))
B17	IO L15N T2L N5 AD11N 67(NC(10P/15P/20P))
B19	IO L14P T2L N2 GC 67(NC(10P/15P/20P))
B20	IO L14N T2L N3 GC 67(NC(10P/15P/20P))
B21	IO L22N T3U N7 DBC AD0N 67(NC(10P/15P/20P))
B22	IO L24N T3U N11 67(NC(10P/15P/20P))
B24	IO L21N T3L N5 AD8N 67(NC(10P/15P/20P))
C16	IO L6N T0U N11 AD6N 67(NC(10P/15P/20P))
C17	IO L15P T2L N4 AD11P 67(NC(10P/15P/20P))
C18	IO L13P T2L N0 GC QBC 67(NC(10P/15P/20P))
C19	IO L13N T2L N1 GC QBC 67(NC(10P/15P/20P))
C21	IO L22P T3U N6 DBC AD0P 67(NC(10P/15P/20P))
C22	IO L24P T3U N10 67(NC(10P/15P/20P))
C23	IO L21P T3L N4 AD8P 67(NC(10P/15P/20P))
D15	IO L3N T0L N5 AD15N 67(NC(10P/15P/20P))
D16	IO L6P T0U N10 AD6P 67(NC(10P/15P/20P))
D18	IO L11N T1U N9 GC 67(NC(10P/15P/20P))
D19	IO L12P T1U N10 GC 67(NC(10P/15P/20P))
D20	IO L12N T1U N11 GC 67(NC(10P/15P/20P))
D21	IO L20N T3L N3 AD1N 67(NC(10P/15P/20P))
E15	IO L3P T0L N4 AD15P 67(NC(10P/15P/20P))
E16	IO L4P T0U N6 DBC AD7P 67(NC(10P/15P/20P))
E17	IO L4N T0U N7 DBC AD7N 67(NC(10P/15P/20P))
E18	IO L11P T1U N8 GC 67(NC(10P/15P/20P))
E20	IO L10N T1U N7 QBC AD4N 67(NC(10P/15P/20P))
E21	IO L20P T3L N2 AD1P 67(NC(10P/15P/20P))
E22	IO T3U N12 67(NC(10P/15P/20P))
F15	IO L1N T0L N1 DBC 67(NC(10P/15P/20P))
F17	IO T0U N12 VRP 67(NC(10P/15P/20P))
F18	IO L8P T1L N2 AD5P 67(NC(10P/15P/20P))
F19	IO L8N T1L N3 AD5N 67(NC(10P/15P/20P))
F20	IO L10P T1U N6 QBC AD4P 67(NC(10P/15P/20P))
G15	IO L1P T0L N0 DBC 67(NC(10P/15P/20P))
G16	IO L5N T0U N9 AD14N 67(NC(10P/15P/20P))
G17	IO L2N T0L N3 67(NC(10P/15P/20P))
G19	IO T1U N12 67(NC(10P/15P/20P))
G20	IO L9P T1L N4 AD12P 67(NC(10P/15P/20P))
G21	IO L9N T1L N5 AD12N 67(NC(10P/15P/20P))
H16	IO L5P T0U N8 AD14P 67(NC(10P/15P/20P))
H17	IO L2P T0L N2 67(NC(10P/15P/20P))
H18	IO L7P T1L N0 QBC AD13P 67(NC(10P/15P/20P))
H19	IO L7N T1L N1 QBC AD13N 67(NC(10P/15P/20P))

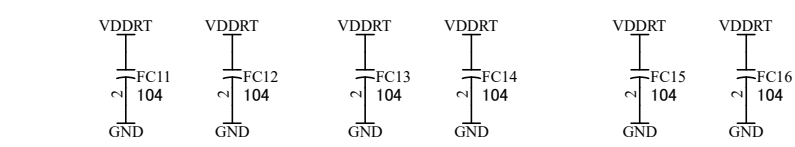
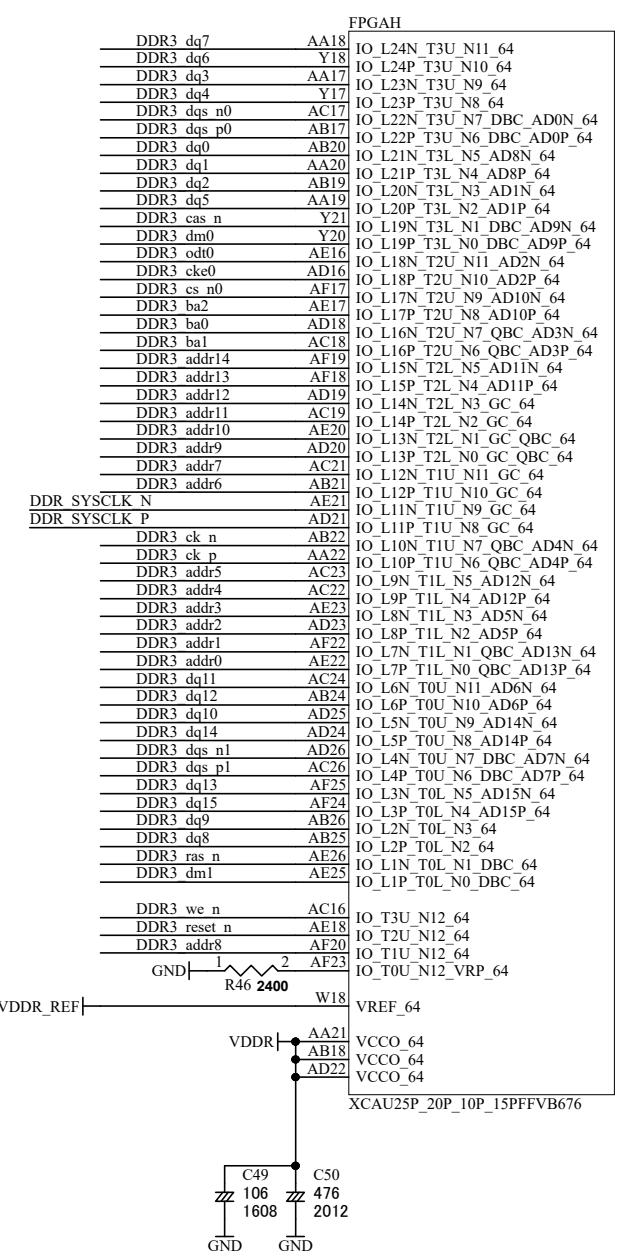
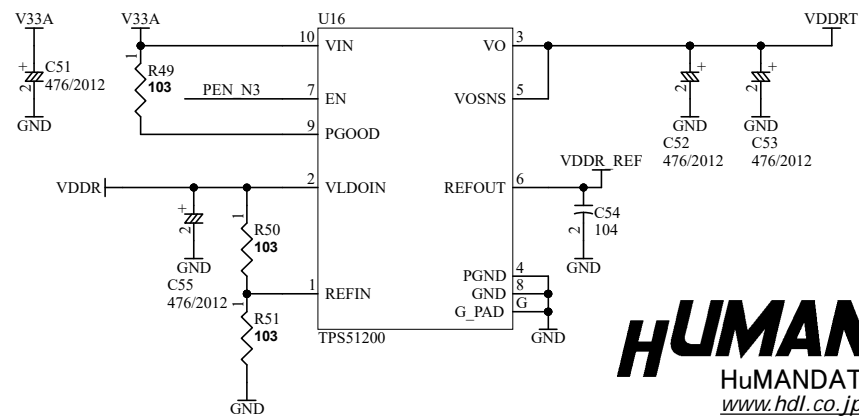
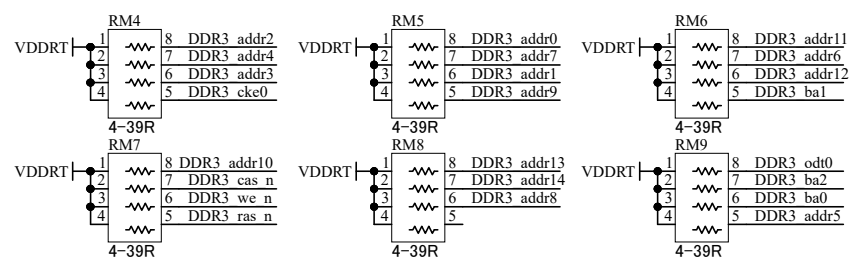
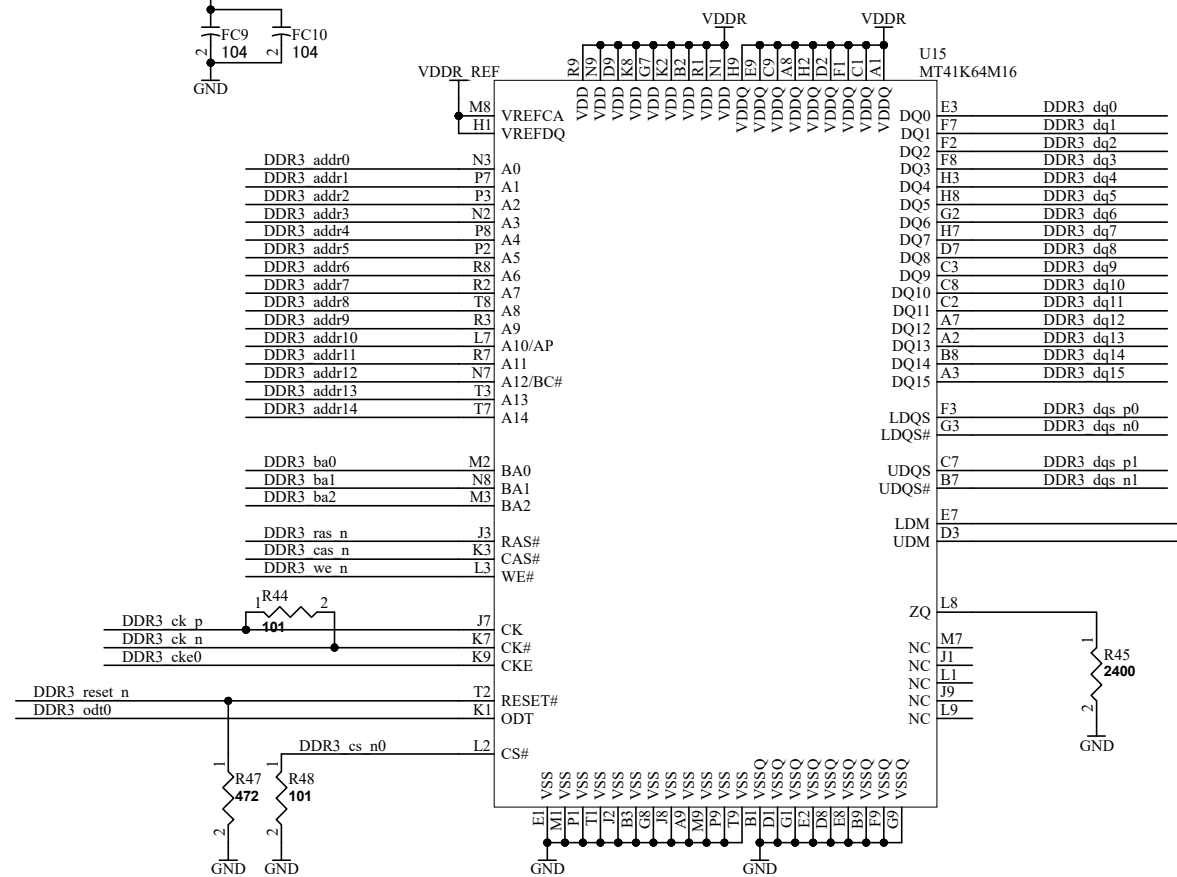
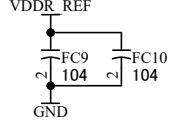
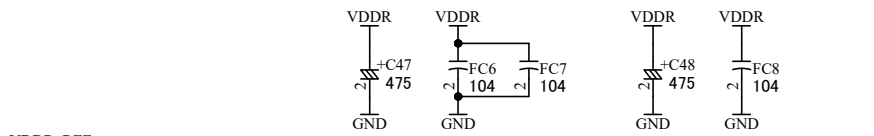
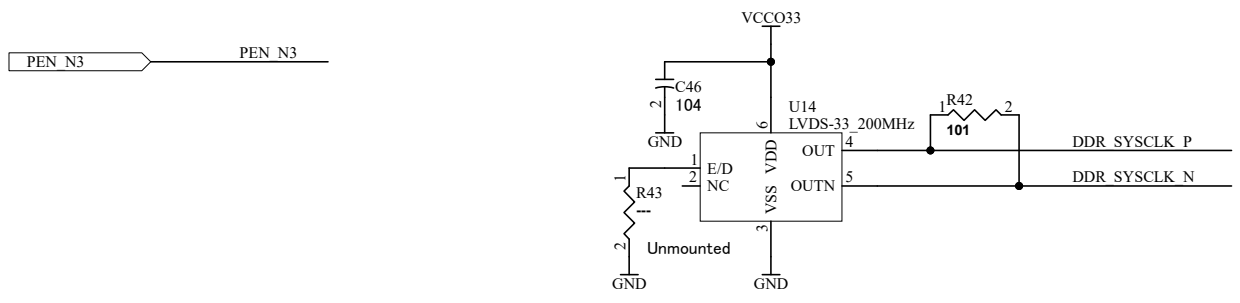


**HUMAN DATA**  
HuMANDATA LTD.  
www.hdl.co.jp/ (Japan)  
www2.hdl.co.jp/en/ (Global)

**BANK Group B**

XCM117LR1-SCH-A.pdf

DSN:	TITLE: Artix UltraScale+ FFVB676 FPGA Board
DOC. No:	<b>XCM-117L</b>
FILE: IOB.SchDoc	DATE: 2022/07/15 10:05:30
Sheet: 5 / 6	<b>A</b>



DSN:	TITLE: Artix UltraScale+ FFVBA676 FPGA Board
DOC. No: XCM-117L	A
FILE: Memory.sch	DATE: 2022/07/15 10:05:30
Sheet: 6 / 6	V7.20200731

XCM117LR1-SCH-A.pdf