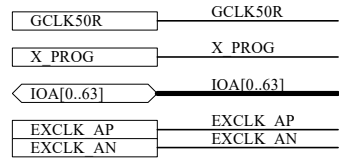


HUMAN DATA
HuMANDATA LTD.
www.hdl.co.jp

DSN:	TITLE: Spartan-7 FGA484 FPGA Board
DOC. No:	XCM-115
FILE: XCM115.SchDoc	DATE: 2018/08/21 17:25:52
Sheet:	1 / 5

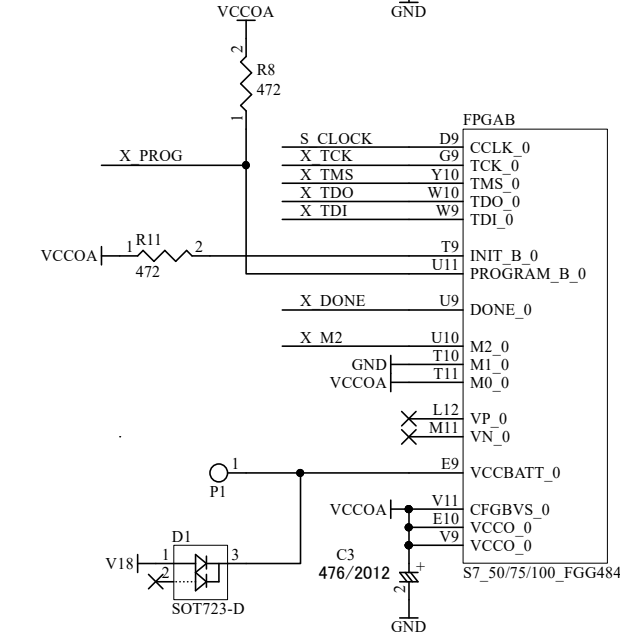
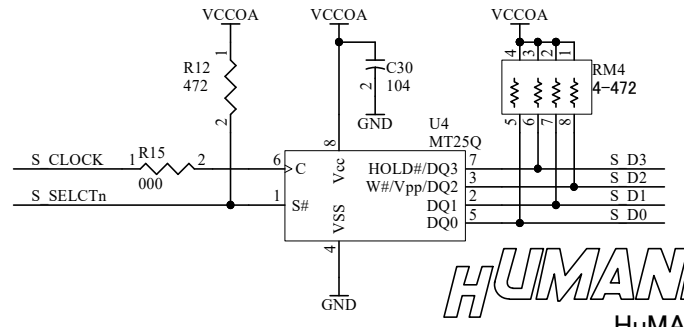
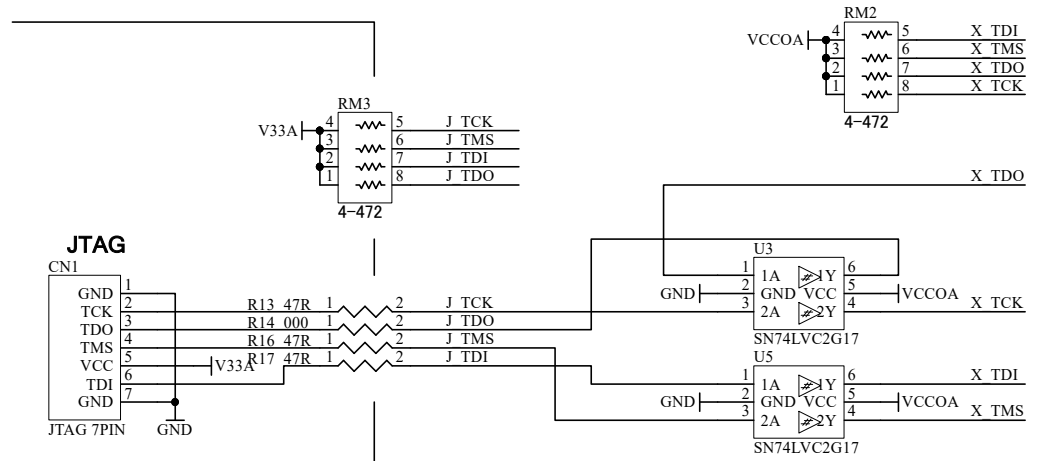
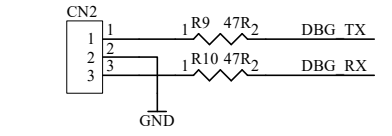
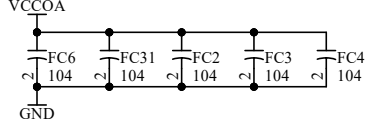
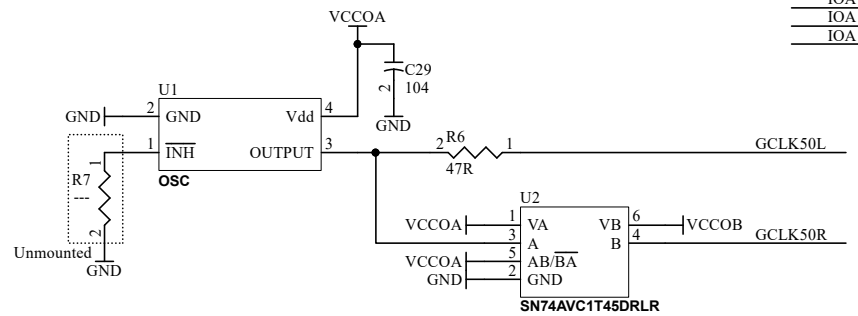
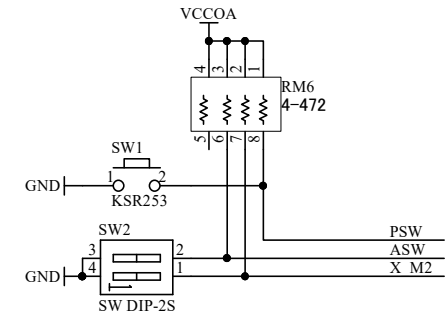
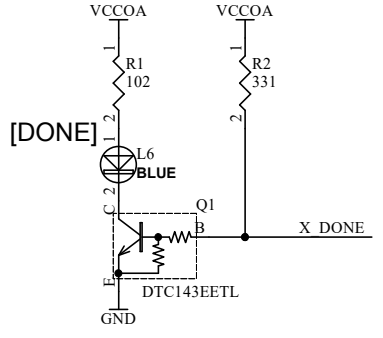
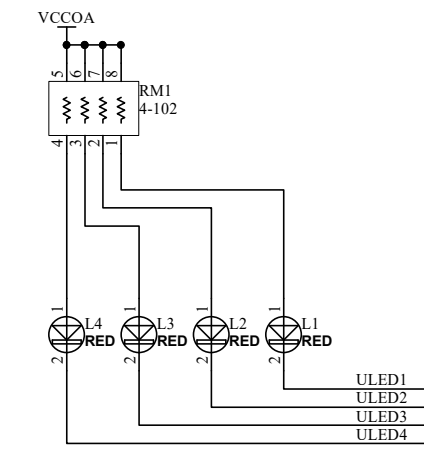
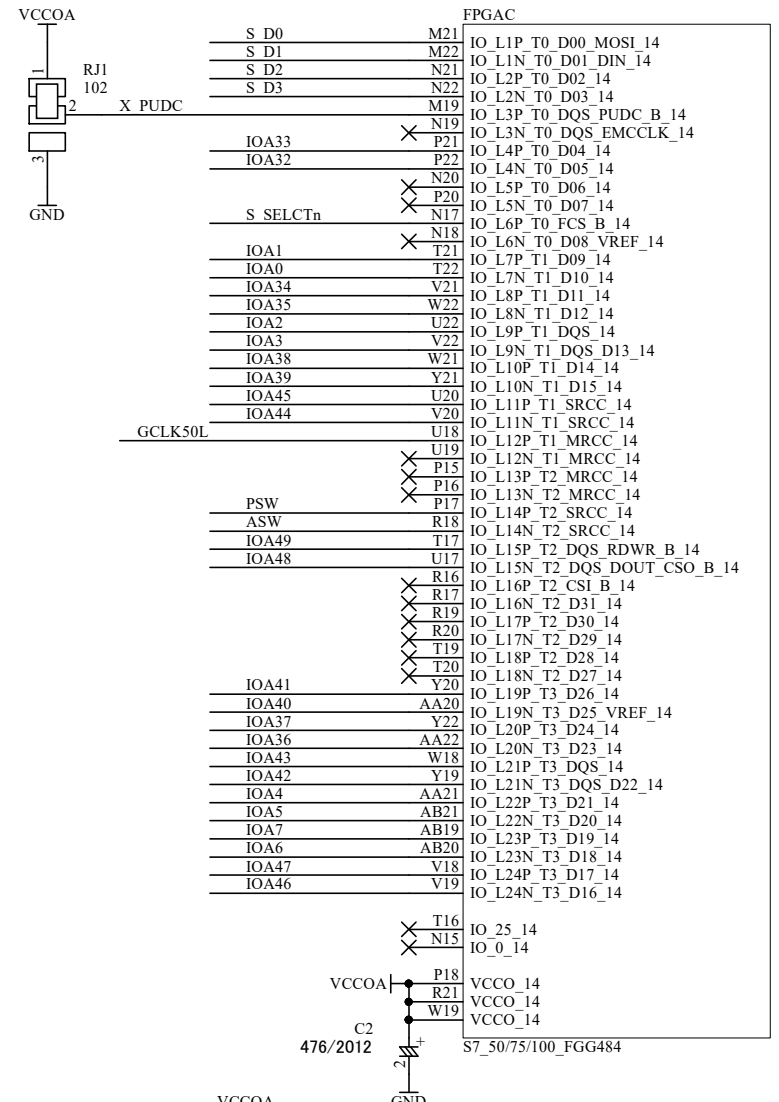
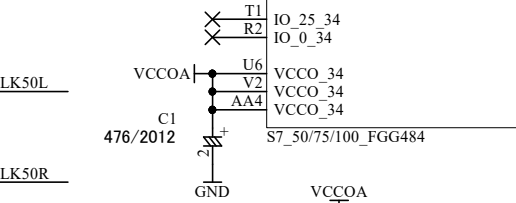
XCM115R1-SCH-A.pdf

V5.20150107

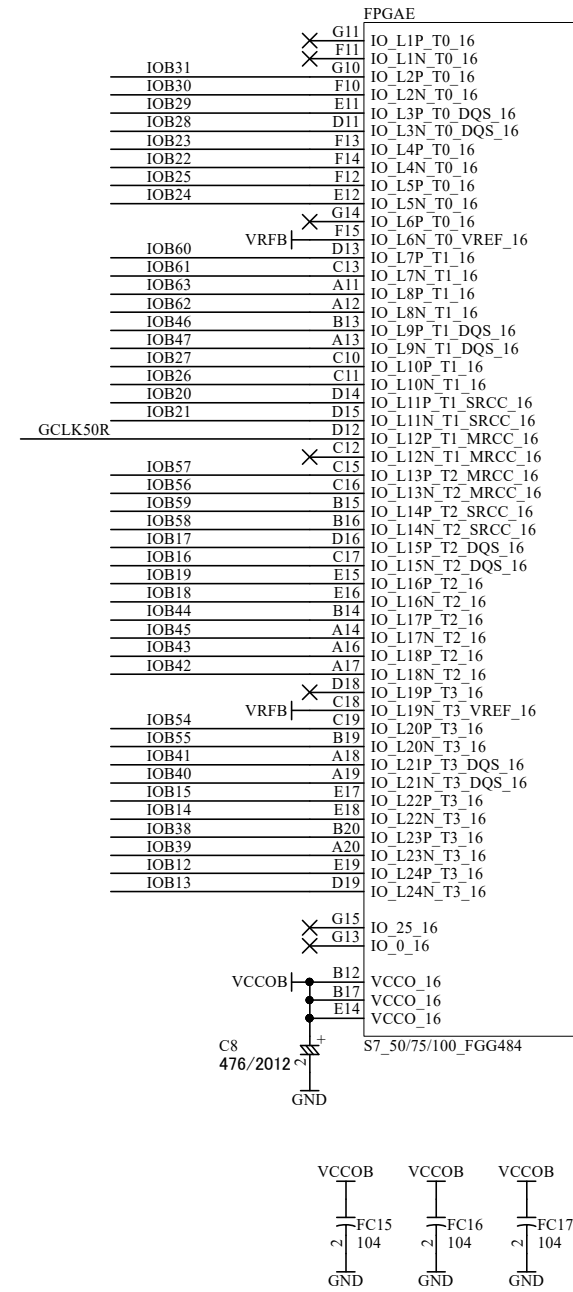
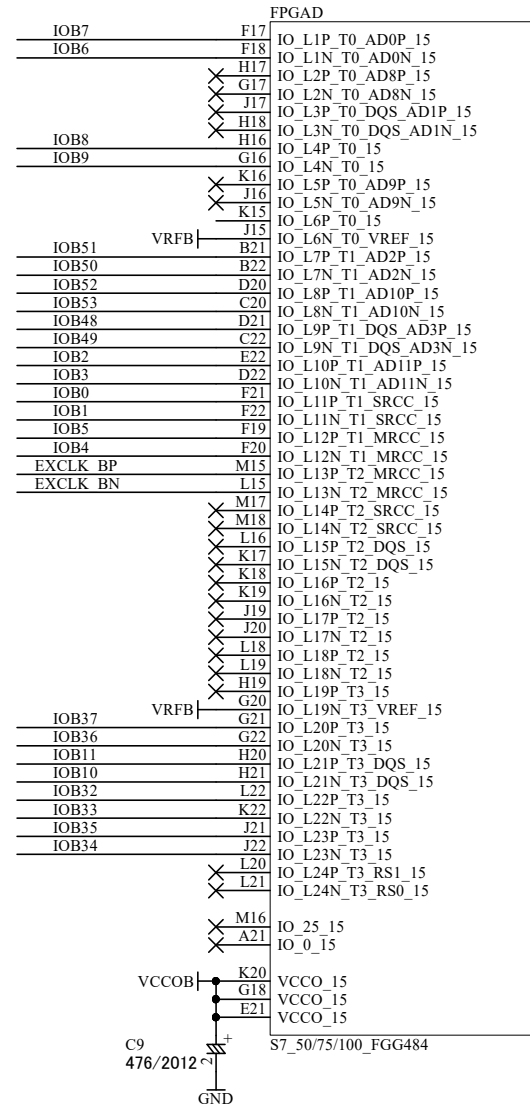
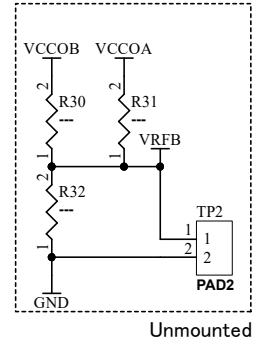
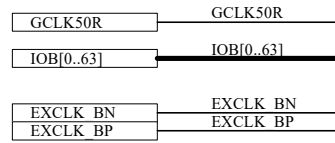


FPGA

IOA54	W5	IO L1P_T0_34
IOA55	W4	IO L1N_T0_34
	X T7	IO L2P_T0_34
	X T6	IO L2N_T0_34
IOA60	V5	IO L3P_T0_DQS_34
IOA61	V4	IO L3N_T0_DQS_34
ULED2	T5	IO L4P_T0_34
ULED1	U5	IO L4N_T0_34
IOA52	V7	IO L5P_T0_34
IOA53	V6	IO L5N_T0_34
DBG TX	T8	IO L6P_T0_34
DBG RX	U8	IO L6N_T0_VREF_34
IOA31	V1	IO L7P_T1_34
IOA30	W1	IO L7N_T1_34
IOA29	W2	IO L8P_T1_34
IOA28	Y1	IO L8N_T1_34
IOA62	U2	IO L9P_T1_DQS_34
IOA63	U1	IO L9N_T1_DQS_34
IOA59	W3	IO L10P_T1_34
IOA58	Y3	IO L10N_T1_34
ULED3	U4	IO L11P_T1_SRCC_34
ULED4	U3	IO L11N_T1_SRCC_34
EXCLK AP	T3	IO L12P_T1_MRCC_34
EXCLK AN	T2	IO L12N_T1_MRCC_34
IOA21	AA6	IO L13P_T2_MRCC_34
IOA20	AB6	IO L13N_T2_MRCC_34
IOA16	Y6	IO L14P_T2_SRCC_34
IOA17	Y5	IO L14N_T2_SRCC_34
IOA56	Y4	IO L15P_T2_DQS_34
IOA57	AA3	IO L15N_T2_DQS_34
IOA24	AB3	IO L16P_T2_34
IOA25	AB2	IO L16N_T2_34
IOA26	AA2	IO L17P_T2_34
IOA27	AA1	IO L17N_T2_34
IOA22	AB5	IO L18P_T2_34
IOA23	AB4	IO L18N_T2_34
IOA50	V8	IO L19P_T3_34
IOA51	W8	IO L19N_T3_VREF_34
IOA12	Y8	IO L20P_T3_34
IOA13	AA8	IO L20N_T3_34
IOA14	AA7	IO L21P_T3_DQS_34
IOA15	Y7	IO L21N_T3_DQS_34
IOA9	AA10	IO L22P_T3_34
IOA8	AB10	IO L22N_T3_34
IOA19	AA7	IO L23P_T3_34
IOA18	AB7	IO L23N_T3_34
IOA11	AA9	IO L24P_T3_34
IOA10	AB9	IO L24N_T3_34



DSN:	TITLE: Spartan-7 FGA484 FPGA Board
DOC. No:	XCM-115
FILE: IOA_CONFIG.SchDoc	DATE: 2018/08/21 17:25:52
Sheet:	2 / 5



DSN:	TITLE: Spartan-7 FGA484 FPGA Board
DOC. No:	XCM-115
FILE: IOB.SchDoc	DATE: 2018/08/21 17:25:52
Sheet: 4 / 5	A

