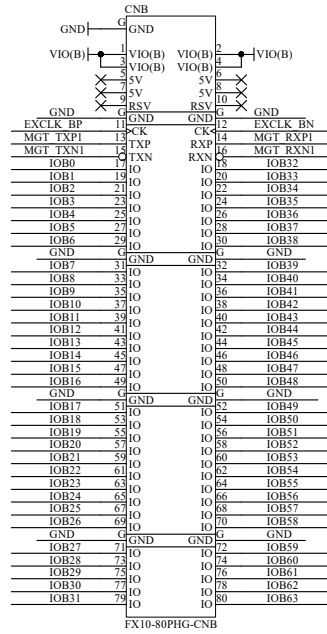
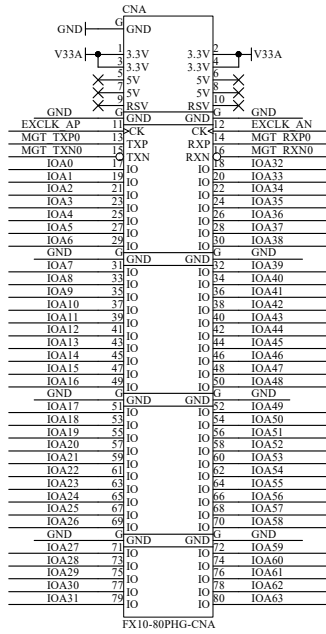
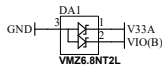
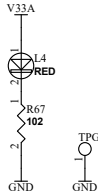
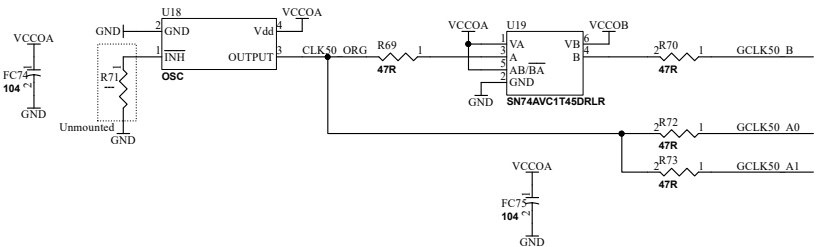


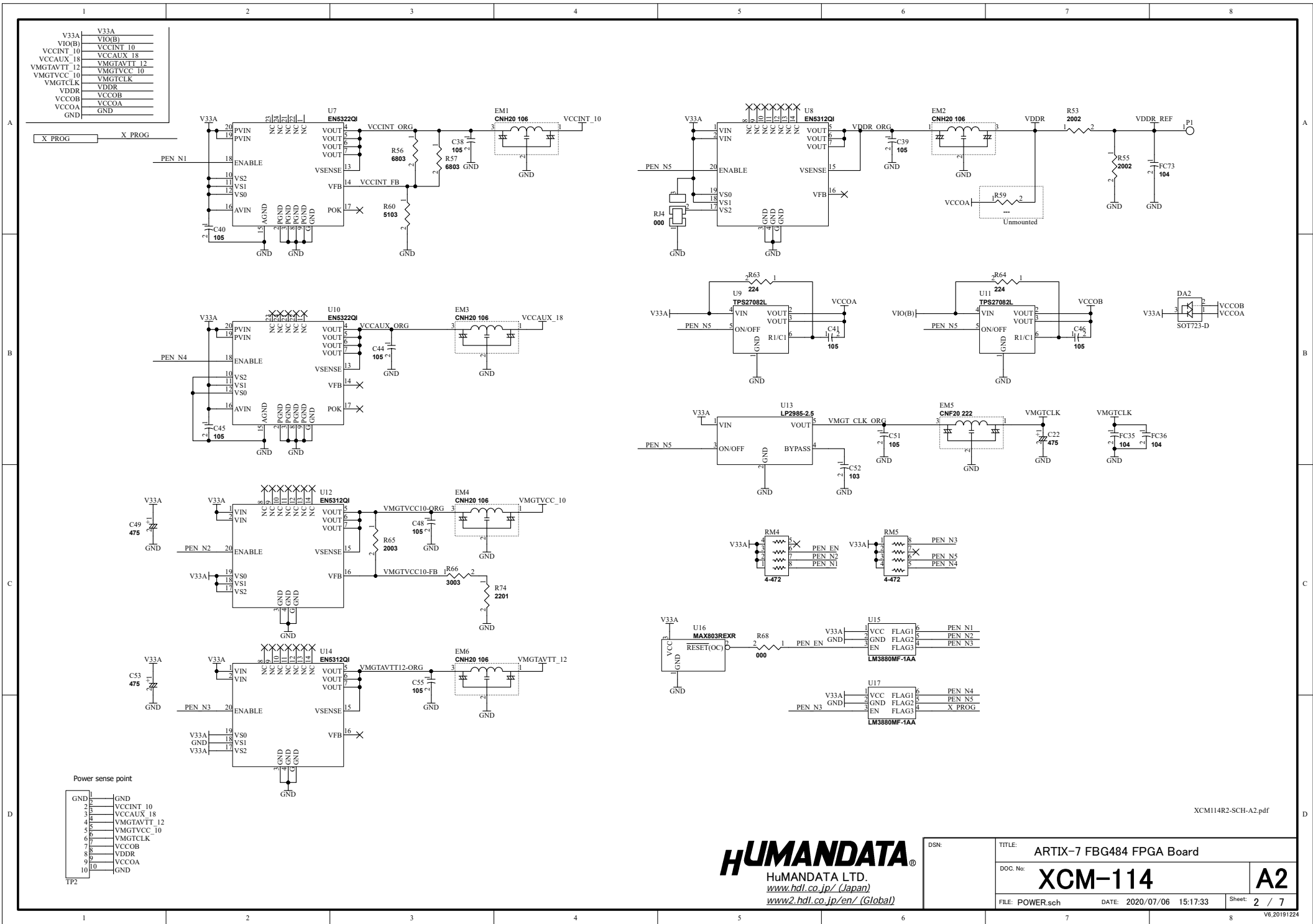
V33A	V33A
VIO(B)	VIO(B)
VCCINT_10	VCCINT_10
VCCAUX_18	VCCAUX_18
VMGTAVTT_12	VMGTAVTT_12
VMGTAVTT_12	VMGTAVTT_12
VMGTAVTT_12	VMGTAVTT_12
VMGTAVTT_12	VMGTAVTT_12
VDDR	VDDR
VDDR	VDDR
VCCOB	VCCOB
VCCOB	VCCOB
VCCOA	VCCOA
VCCOA	VCCOA
GND	GND

[POWER]



- U POWER
POWER.sch
- X_PROG
- FPGA-PW
FPGA-PW.sch
- U IOA_CONFIG
IOA_CONFIG.sch
- IOA[0..63]
- X_PROG
- GCLK50_A[0..1]
- EXCLK_AP
- EXCLK_AN
- U IOB
IOB.SCH
- IOB[0..63]
- GCLK50_B
- EXCLK_BP
- EXCLK_BN
- U GTP
GTP.SCH
- MGT_TXP[0..1]
- MGT_RXP[0..1]
- MGT_TXN[0..1]
- MGT_RXN[0..1]
- U DDR3
DDR3.SCH





XCM114R2-SCH-A2.pdf

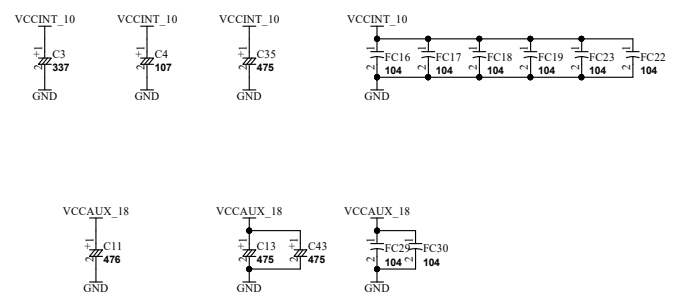
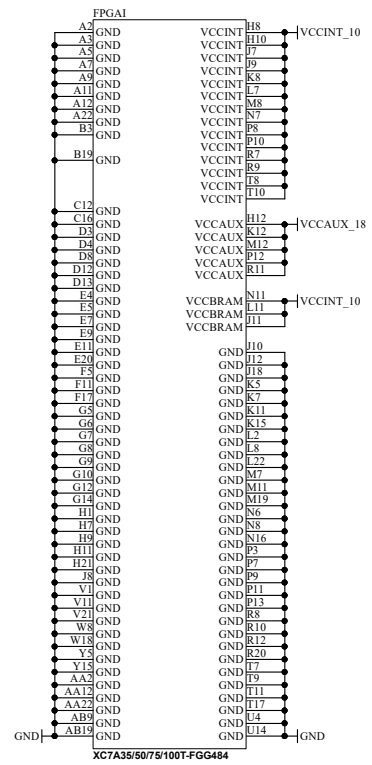


DSN:	TITLE:	ARTIX-7 FBG484 FPGA Board
DOC. No:	XCM-114	
FILE: POWER.sch	DATE: 2020/07/06 15:17:33	Sheet: 2 / 7

A2

V6.20191224

V33A	V33A
VIO(B)	VIO(B)
VCCINT_10	VCCINT_10
VCCAUX_18	VCCAUX_18
VMGTAVTT_12	VMGTAVTT_12
VMGTAVCC_10	VMGTAVCC_10
VMGTCLK	VMGTCLK
VDDR	VDDR
VCCOB	VCCOB
VCCOA	VCCOA
GND	GND

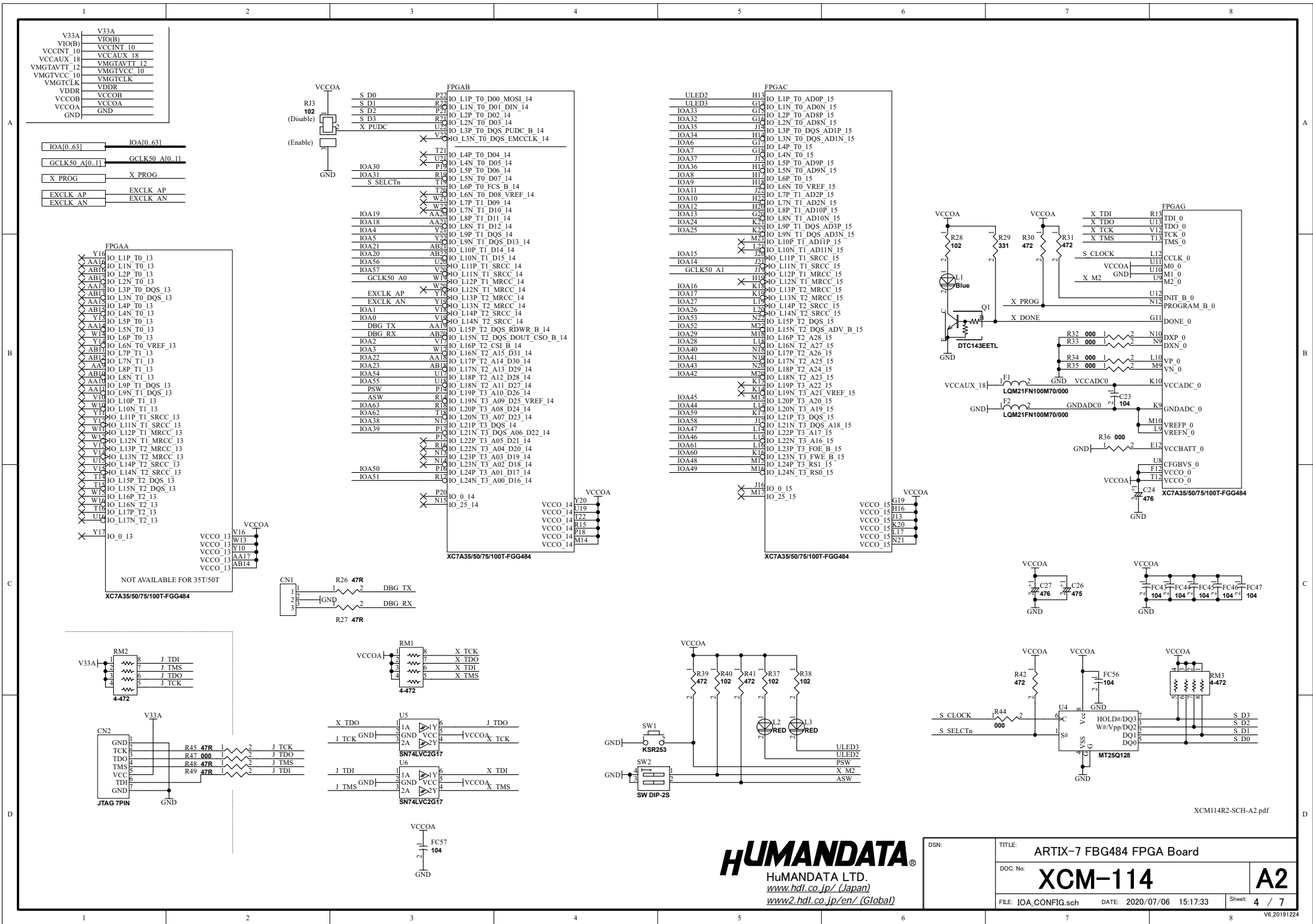


XCM114R2-SCH-A2.pdf



DSN:	TITLE: ARTIX-7 FBG484 FPGA Board	
	DOC. No:	XCM-114
	FILE: FPGA-PW.sch	DATE: 2020/07/06 15:17:33
		Sheet: 3 / 7

A2

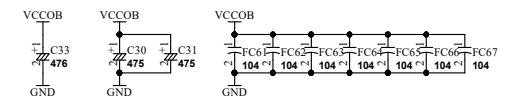
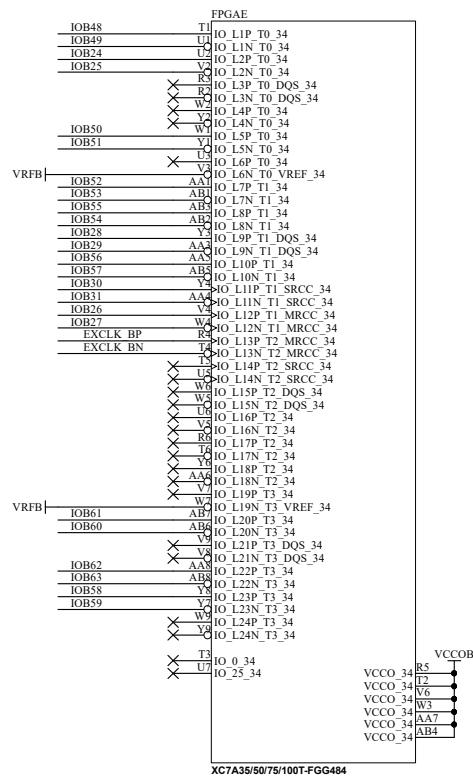
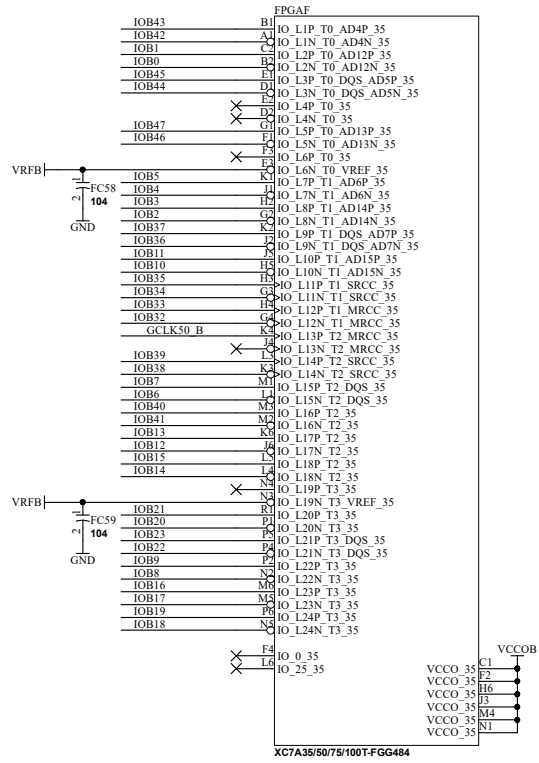
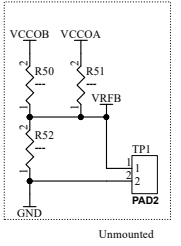


DSN:	TITLE: ARTIX-7 FBG484 FPGA Board
DOC. No:	XCM-114
FILE: IOA_CONFIG.sch	DATE: 2020/07/06 15:17:33
Sheet: 4	7

XCM114R2-SCH-A2.pdf

V33A	V33A
VIO(B)	VIO(B)
VCCINT_10	VCCINT_10
VCCAUX_18	VCCAUX_18
VMGTAVTT_12	VMGTAVTT_12
VMGTAVCC_10	VMGTAVCC_10
VMGTCLK	VMGTCLK
VDDR	VDDR
VDDR	VCCOB
VCCOB	VCCOB
VCCOA	VCCOA
GND	GND

IOB[0..63]	IOB[0..63]
GCLK50 B	GCLK50 B
EXCLK BP	EXCLK BP
EXCLK BN	EXCLK BN

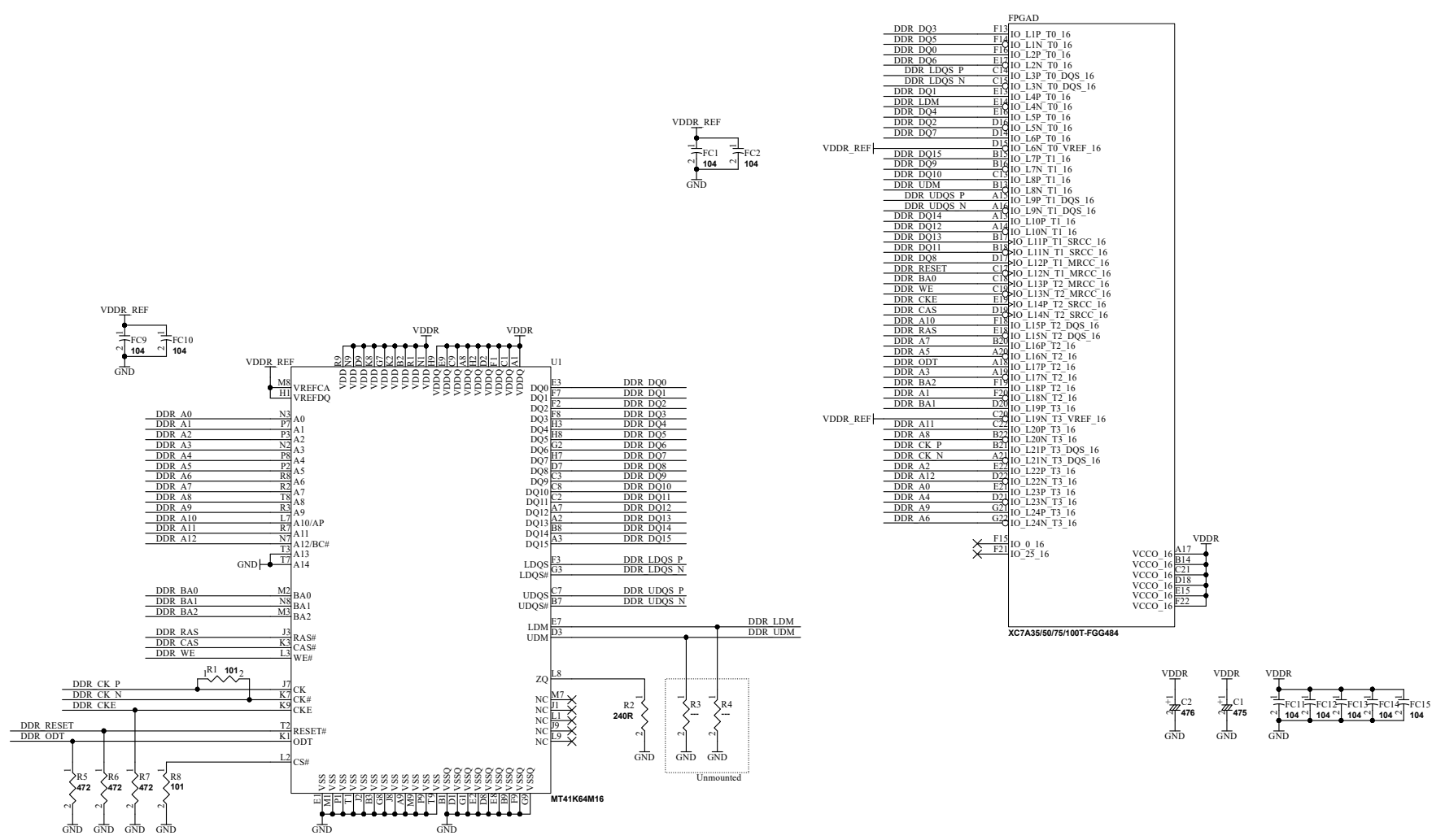


XCM114R2-SCH-A2.pdf



DSN:	TITLE: ARTIX-7 FBG484 FPGA Board	
DOC. No:	XCM-114	A2
FILE: IOB.SCH	DATE: 2020/07/06 15:17:33	Sheet: 5 / 7

V33A	V33A
VIO(B)	VIO(B)
VCCINT_10	VCCINT_10
VCCAUX_18	VCCAUX_18
VMGTAVTT_12	VMGTAVTT_12
VMGTAVCC_10	VMGTAVCC_10
VMGTCLK	VMGTCLK
VDDR	VDDR
VCCOB	VCCOB
VCCOA	VCCOA
GND	GND



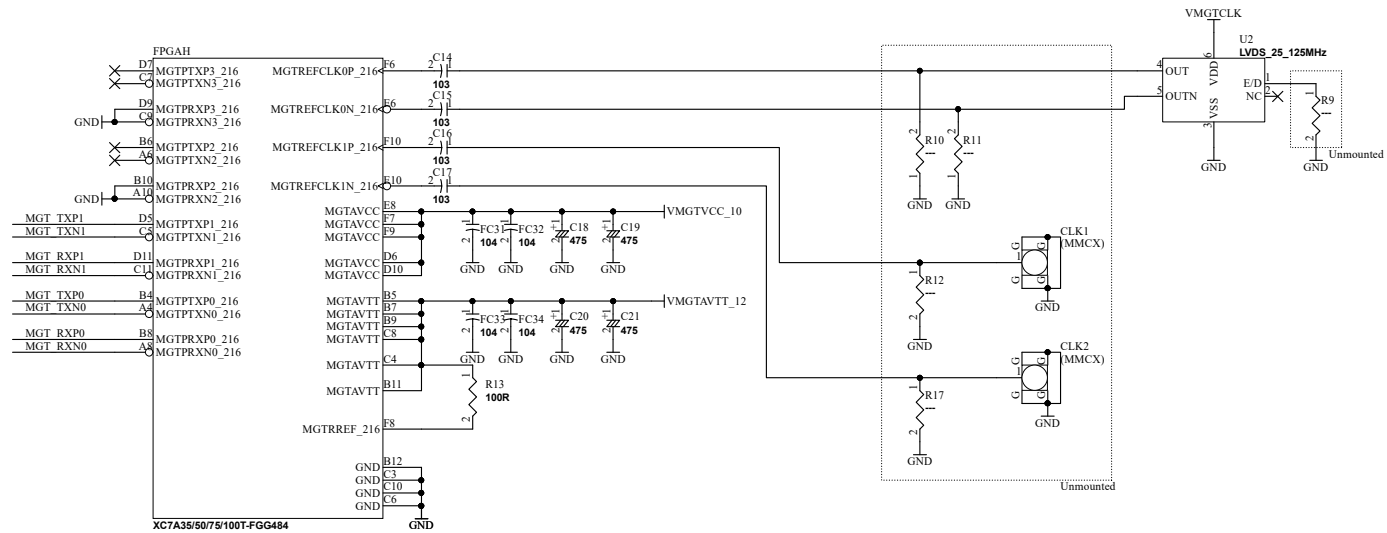
XCM114R2-SCH-A2.pdf



DSN:	TITLE: ARTIX-7 FBG484 FPGA Board
DOC. No:	XCM-114
FILE: DDR3.SCH	DATE: 2020/07/06 15:17:33
Sheet: 6 / 7	A2

V33A	V33A
VIO(B)	VIO(B)
VCCINT_10	VCCINT_10
VCCAUX_18	VCCAUX_18
VMGTAVTT_12	VMGTAVTT_12
VMGTAVCC_10	VMGTAVCC_10
VMGTCLK	VMGTCLK
VDDR	VDDR
VCCOB	VCCOB
VCCOA	VCCOA
GND	GND

MGT_TXP0_11	MGT_TXP0_11
MGT_TXN0_11	MGT_TXN0_11
MGT_RXP0_11	MGT_RXP0_11
MGT_RXN0_11	MGT_RXN0_11



XCM114R2-SCH-A2.pdf



DSN:	TITLE: ARTIX-7 FBG484 FPGA Board
DOC. No:	XCM-114
FILE: GTP.SCH	DATE: 2020/07/06 15:17:34
Sheet: 7 / 7	A2