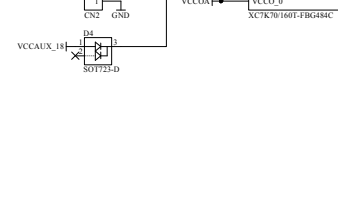
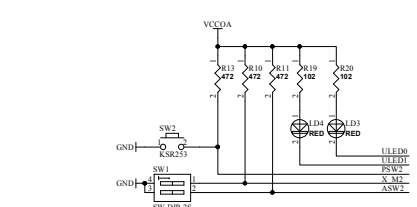
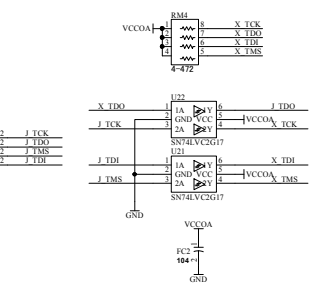
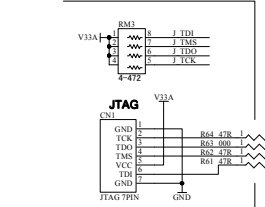
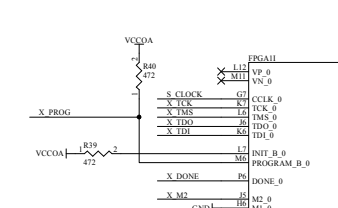
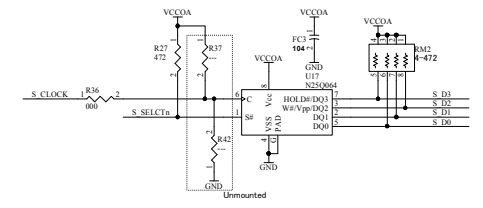
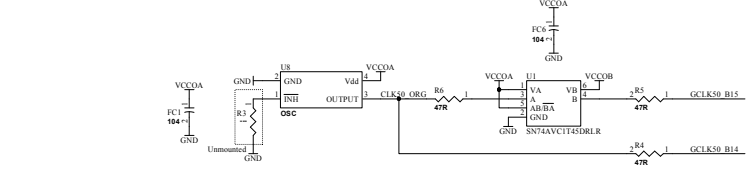
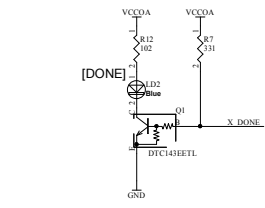
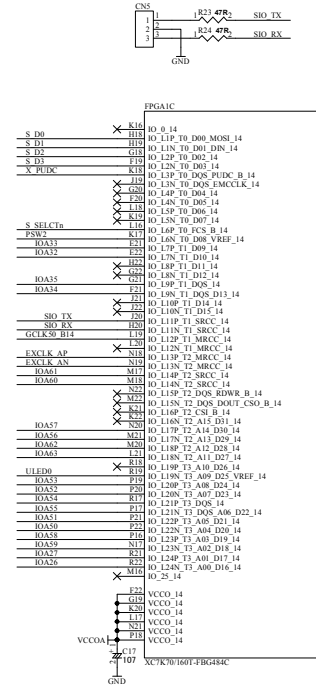
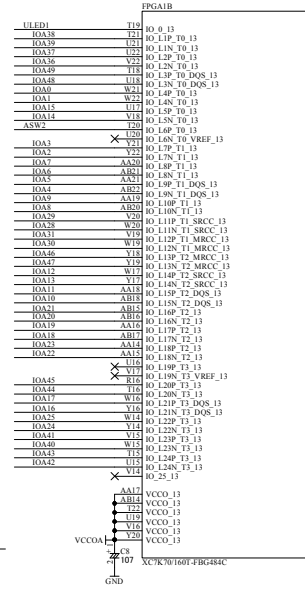
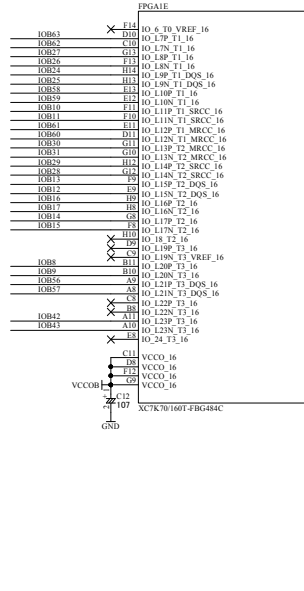
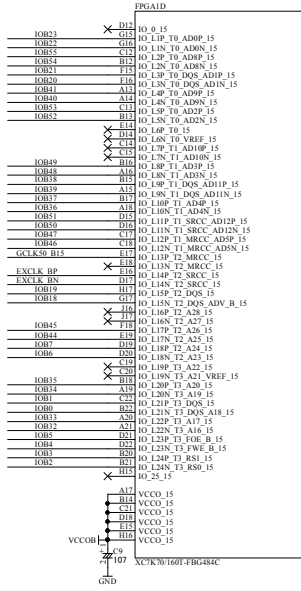


V33A	V33A
VDD0	VDD0
VCCINT_10	VCCINT_10
VMG1VCC_10	VMG1VCC_10
VMG1AVT_12	VMG1AVT_12
VCCAUX_18	VCCAUX_18
VDDR_ORG	VDDR_ORG
VCCOA	VCCOA
VCCO	VCCO
VMG1AVCC_AUX_18	VMG1AVCC_AUX_18
VCCXADC_18	VCCXADC_18
GND	GND

BANK Group B

BANK Group A

IOA0_03	IOA0_03
IOB0_03	IOB0_03
EXCLK_AP	EXCLK_AP
EXCLK_AN	EXCLK_AN
EXCLK_BP	EXCLK_BP
EXCLK_BN	EXCLK_BN
X_PROG	X_PROG



XCM112R1-SCH-B1.pdf

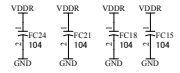
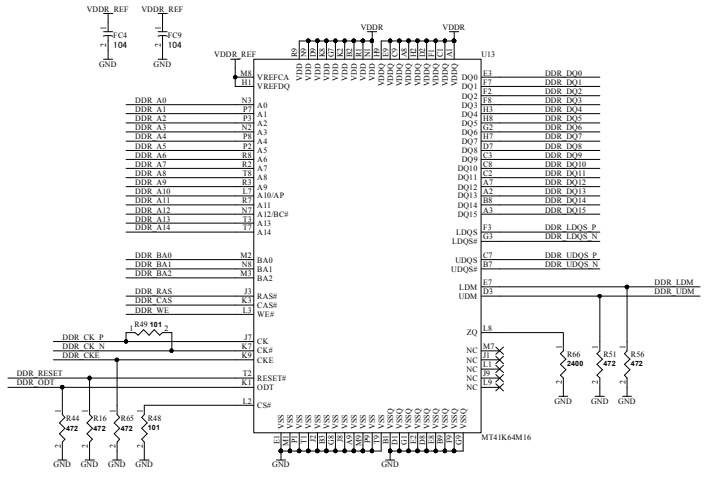
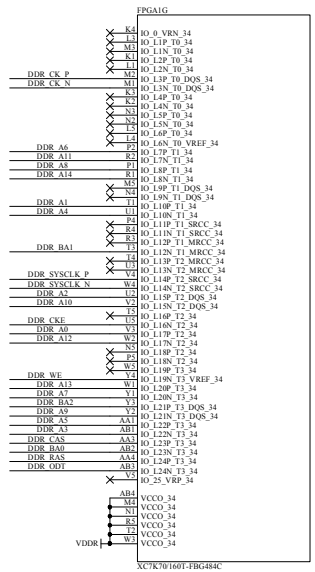
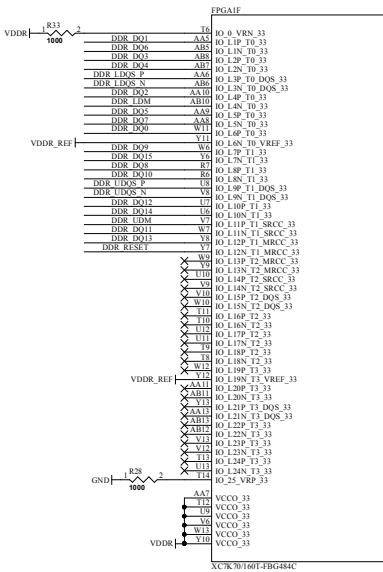
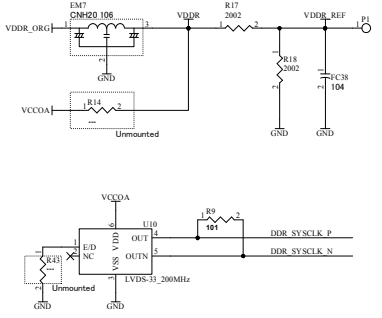
DSN TITLE KINTEX FBG484 FPGA Board

DOC. No: **XCM-112**

FILE: XCM112.IO.sch DATE: 2017/04/12 10:18:40 Sheet 2 / 4

B1

V33A	V33A
V33B	V33B
VCCINT_10	VCCINT_10
VMG1VCC_10	VMG1VCC_10
VMG1AVT_12	VMG1AVT_12
VCCAUX_18	VCCAUX_18
VDDR_ORG	VDDR_ORG
VCCOA	VCCOA
VCCOB	VCCOB
VMG1AVCC_AUX_18	VMG1AVCC_AUX_18
VCCXADC_18	VCCXADC_18
GND	GND



XCM112R1-SCH-B1.pdf

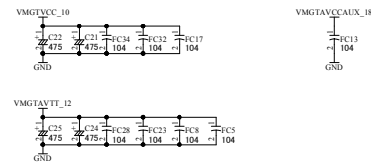
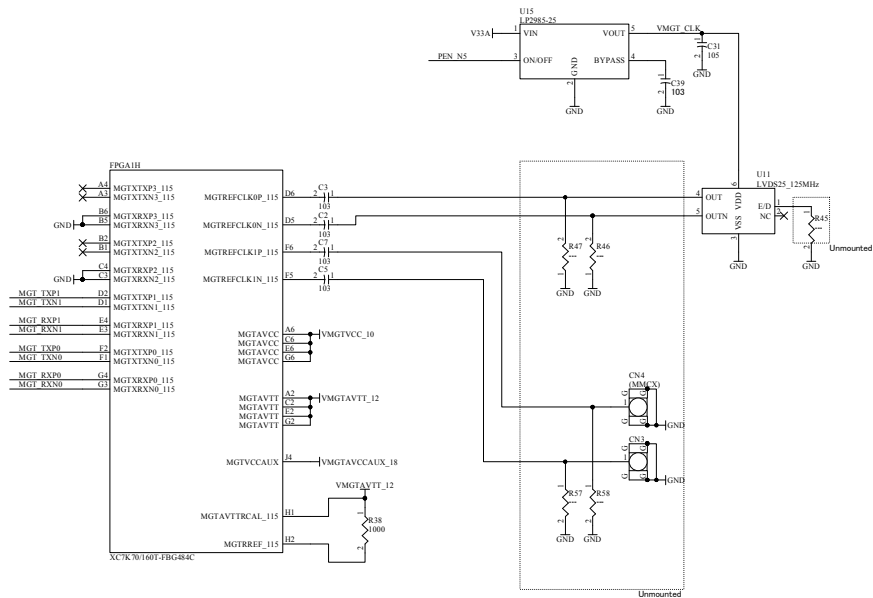


DSN	TITLE	KINTEX FBG484 FPGA Board	
DOC. No.	XCM-112	B1	
FILE	XCM112.Memory.sch	DATE	2017/04/12 10:18:40
			Sheet 3 / 4

V33A
 V33B
 VCCINT_10
 VMGTAVCC_10
 VMGTAVTT_12
 VCCAUX_18
 VDDR_ORG
 VDDOR_ORG
 VCCOA
 VCCOB
 VMGTAVCCAUX_18
 VCCXADC_18
 GND

MGT_TXP0
 MGT_TXN0
 MGT_RXP0
 MGT_RXN0
 MGT_TXP1
 MGT_TXN1
 MGT_RXP1
 MGT_RXN1

PEN_N5



XCM112R1-SCH-B1.pdf



DSN	TITLE	KINTEX FBG484 FPGA Board	
	DOC. No.	XCM-112	B1
FILE: XCM112.RocketIO.sch DATE: 2017/04/12 10:18:40 Sheet 4 / 4			