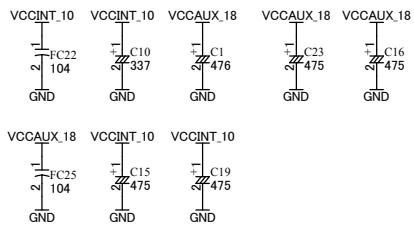
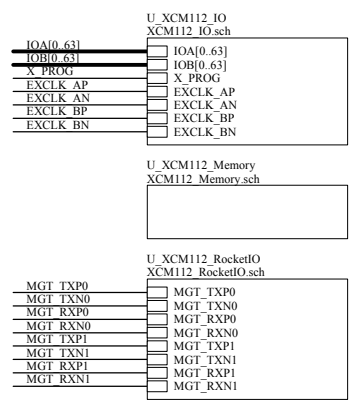
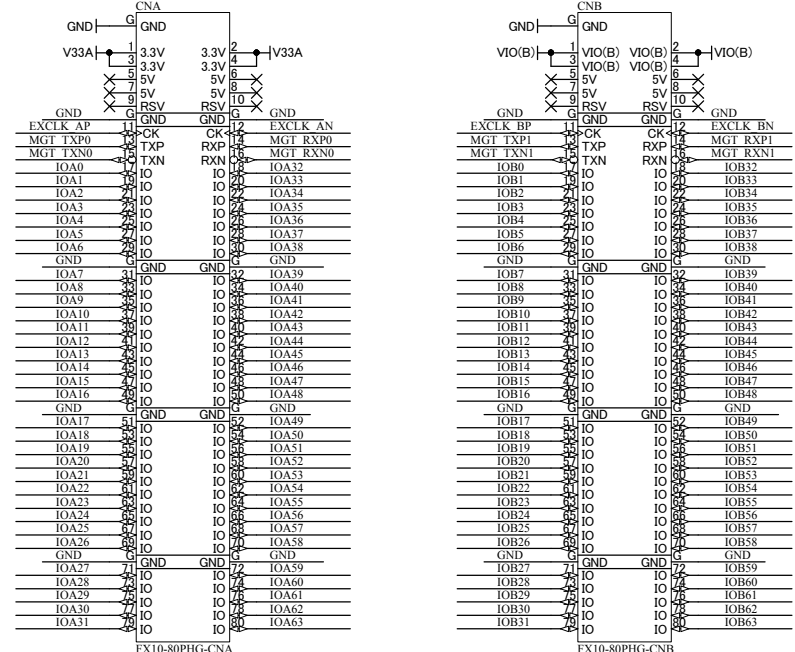
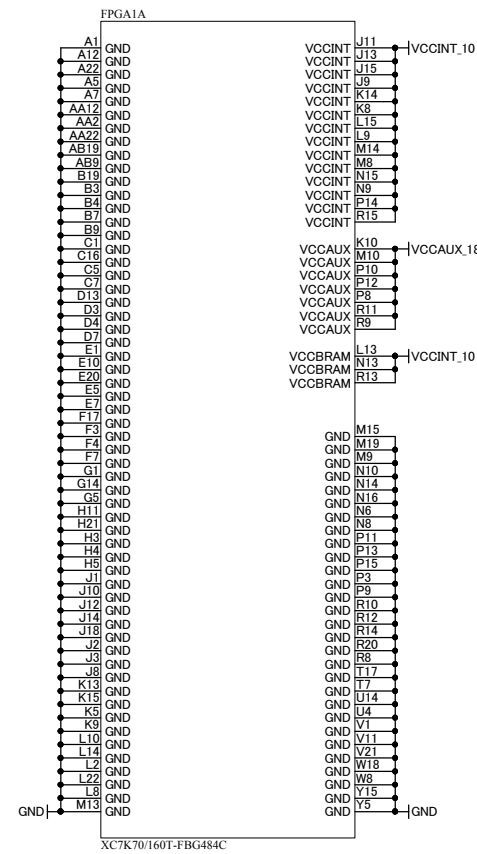
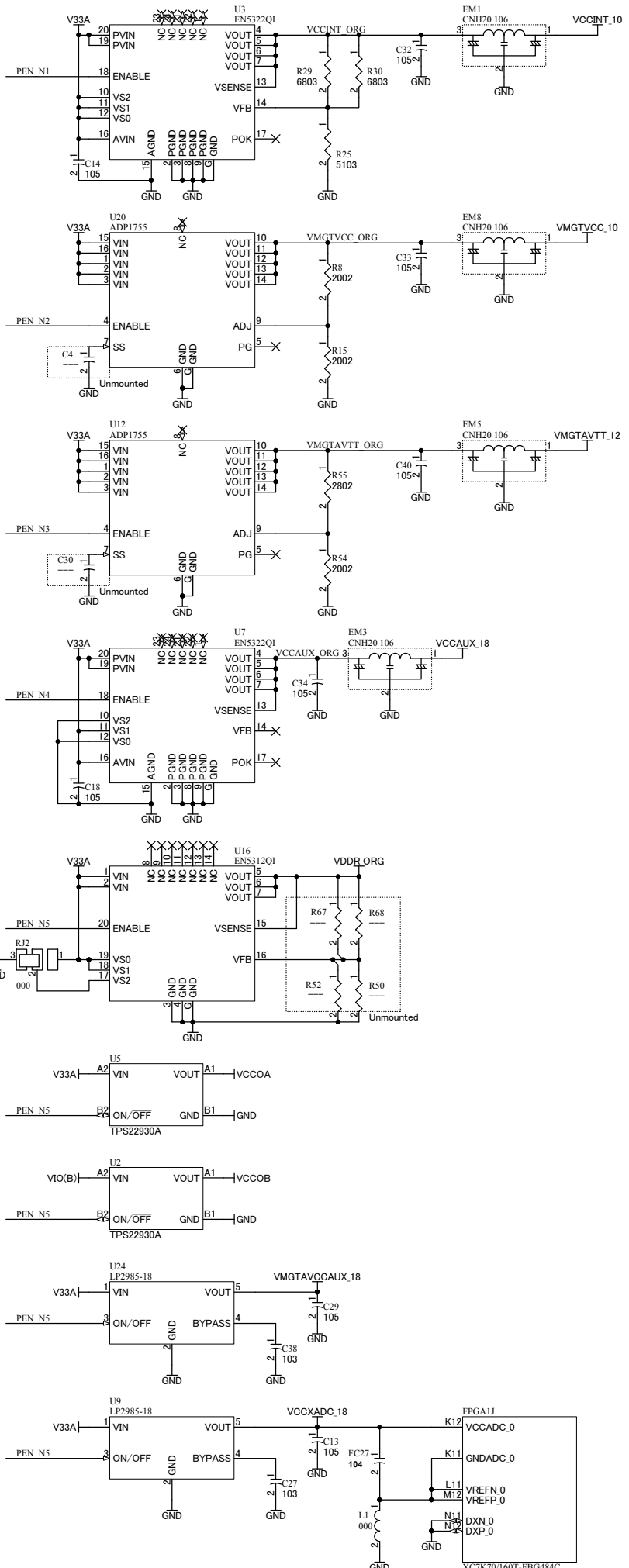
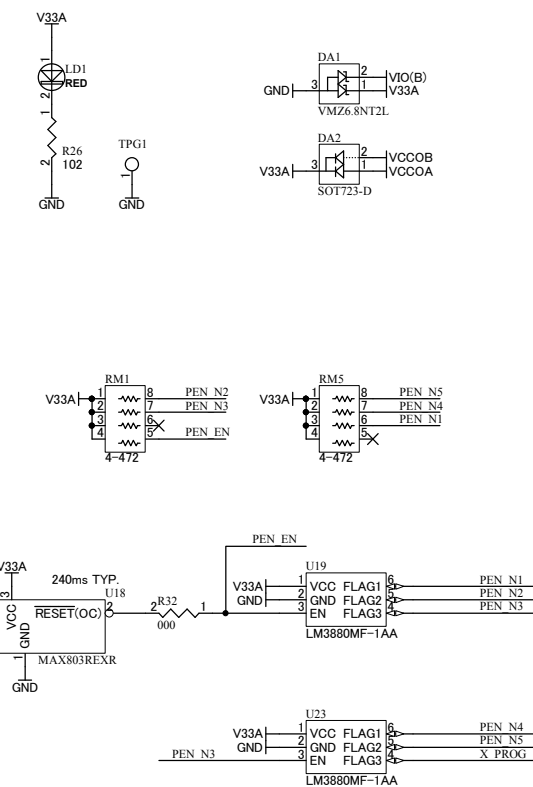


V33A	V33A
VIO(B)	VIO(B)
VCCINT_10	VCCINT_10
VMGTAVCC_10	VMGTAVCC_10
VMGTAVTT_12	VMGTAVTT_12
VCCAUX_18	VCCAUX_18
VDDR_ORG	VDDR_ORG
VCCOA	VCCOA
VCCOB	VCCOB
VMGTAVCCAUX_18	VMGTAVCCAUX_18
VCCXADC_18	VCCXADC_18
GND	GND

[POWER]



HUMAN DATA
OSAKA JAPAN
www.hdl.co.jp/en/(Global)
www.hdl.co.jp/(Japan)

KINTEX FBG484 FPGA Board

DOC. No. XCM-112

Date: 2013/11/26 15:58:41

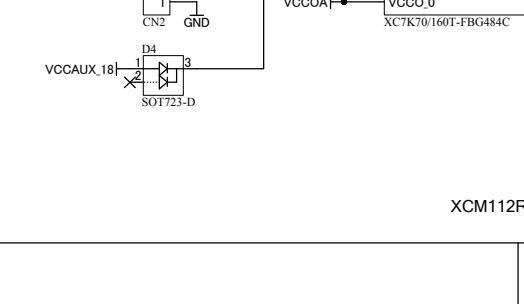
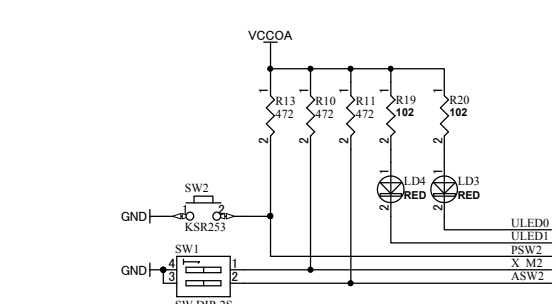
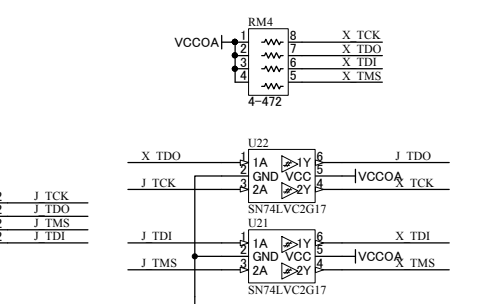
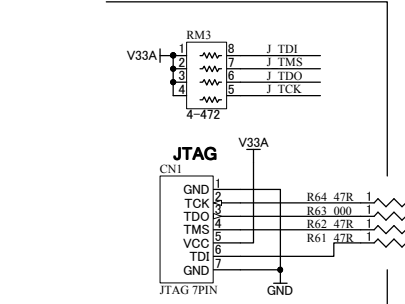
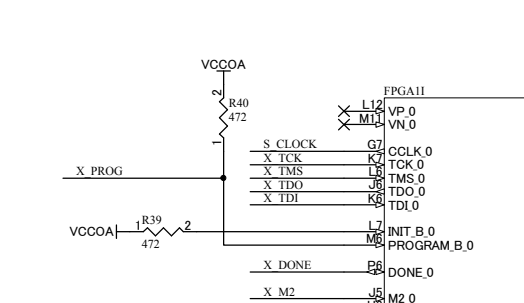
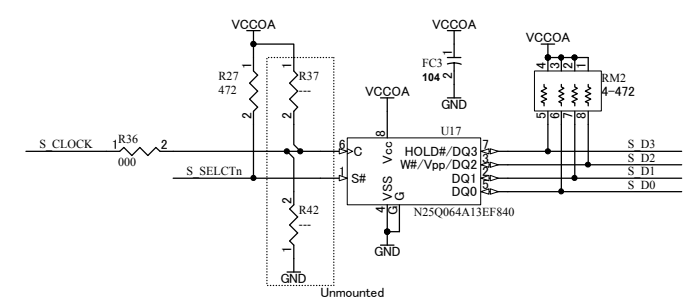
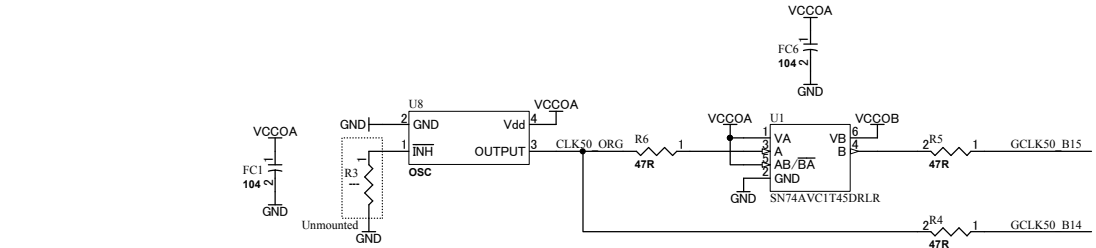
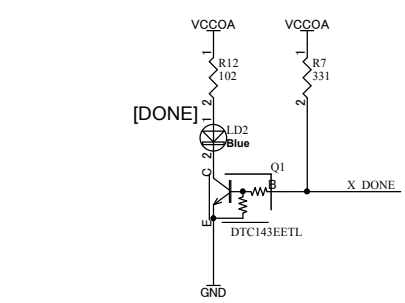
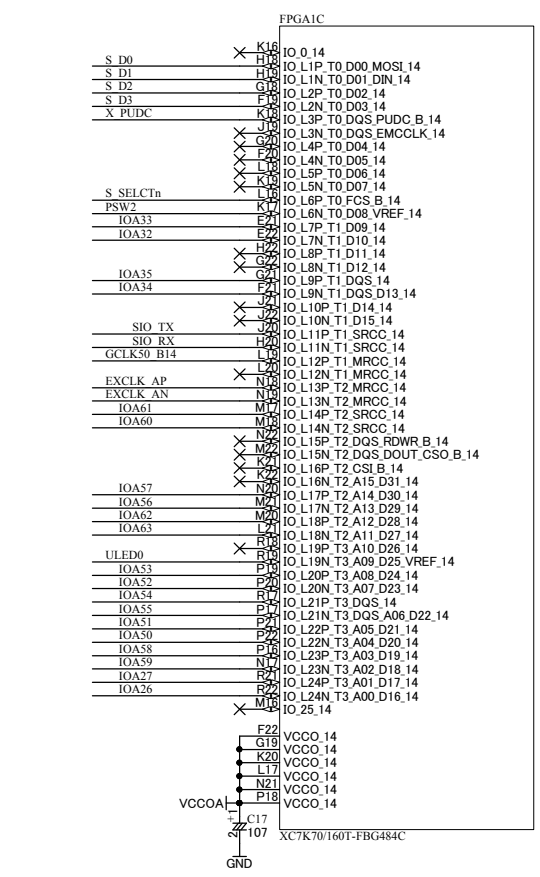
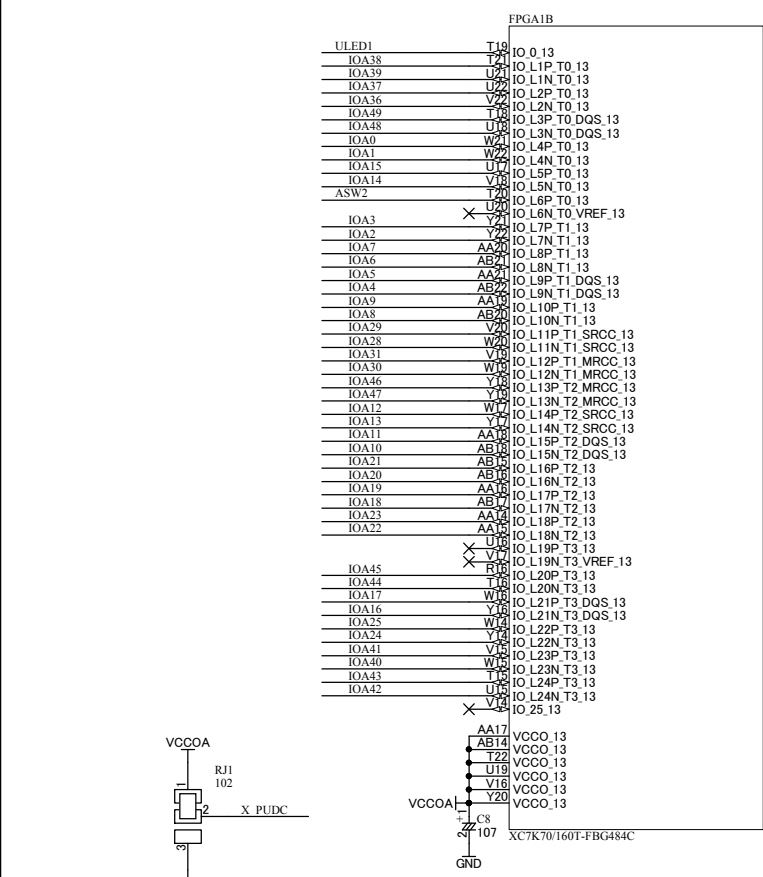
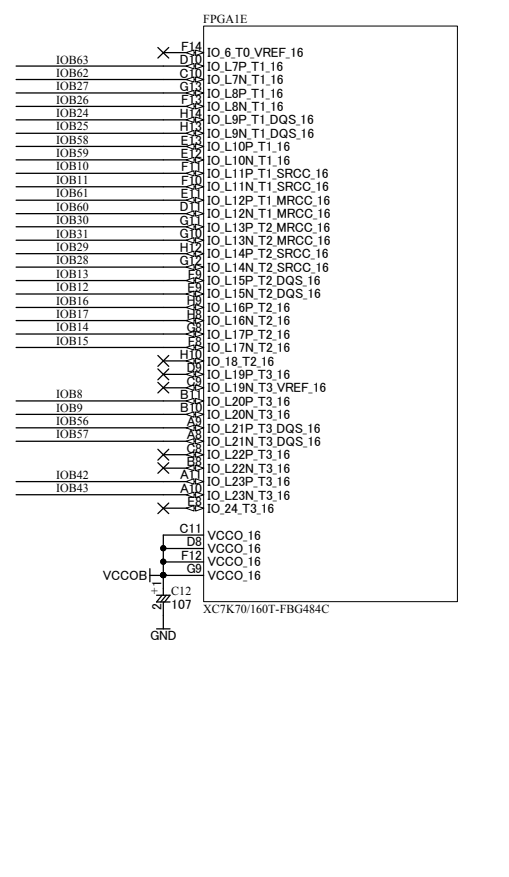
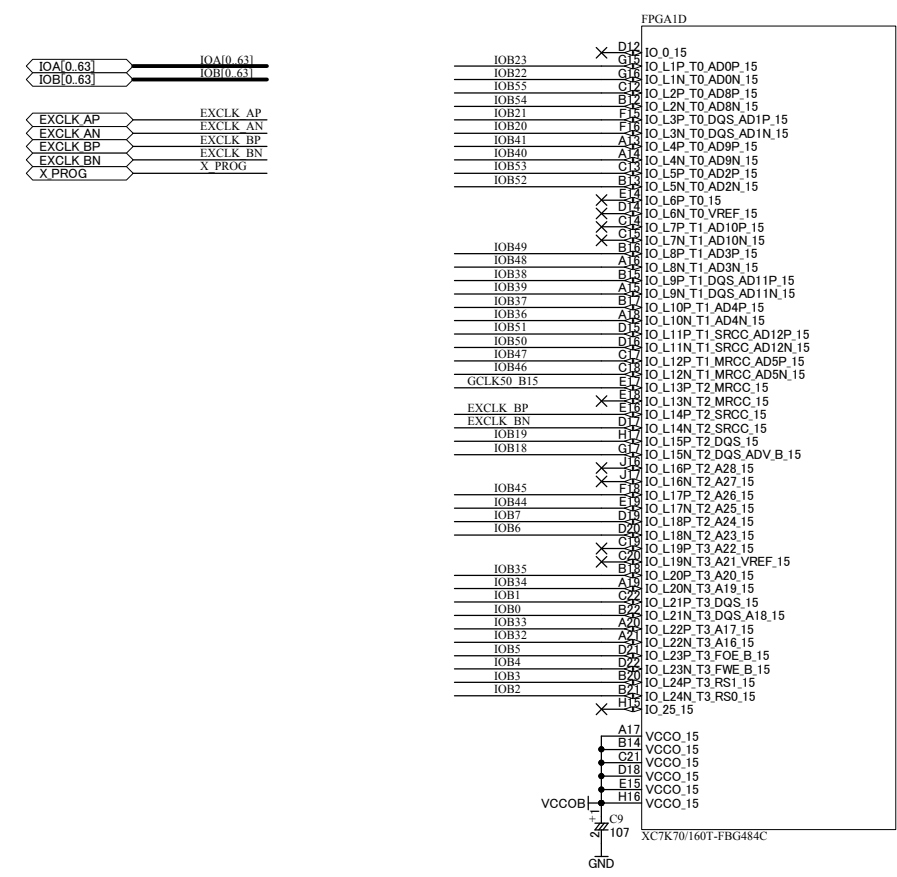
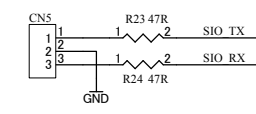
File: XCM112A.sch

Sheet 1 of 4

V33A	V33A
VIO(B)	VIO(B)
VCCINT_10	VCCINT_10
VMGTVCC_10	VMGTVCC_10
VMGTAVTT_12	VMGTAVTT_12
VCCAUX_18	VCCAUX_18
VDDR_ORG	VDDR_ORG
VCCOA	VCCOA
VCCOB	VCCOB
VMGTAVCCAUX_18	VMGTAVCCAUX_18
VCCXADC_18	VCCXADC_18
GND	GND

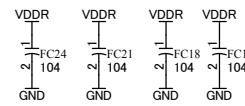
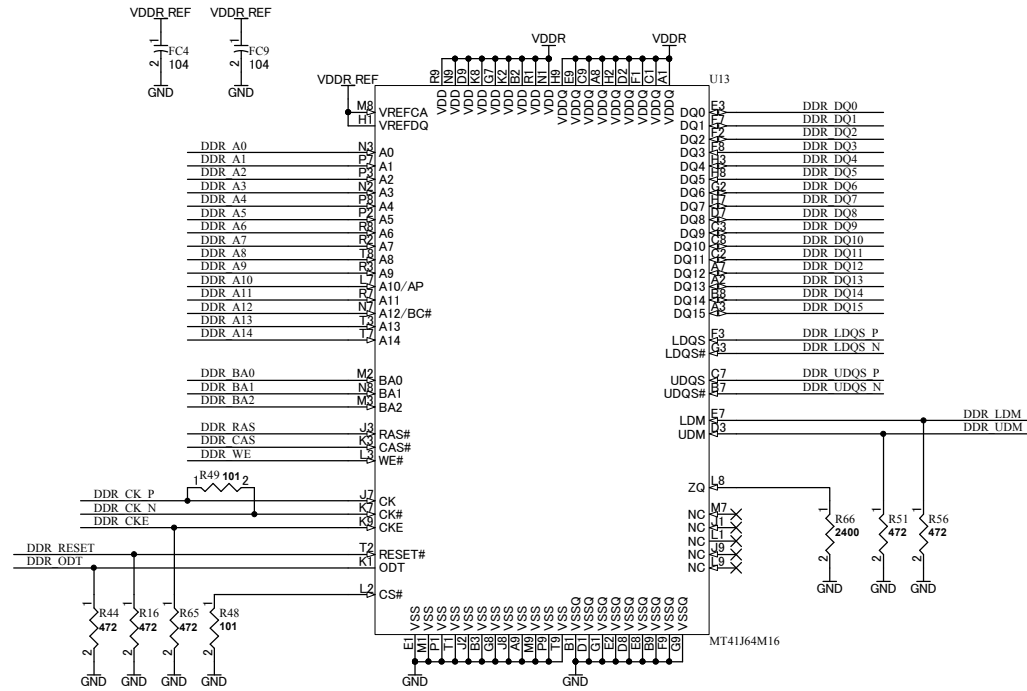
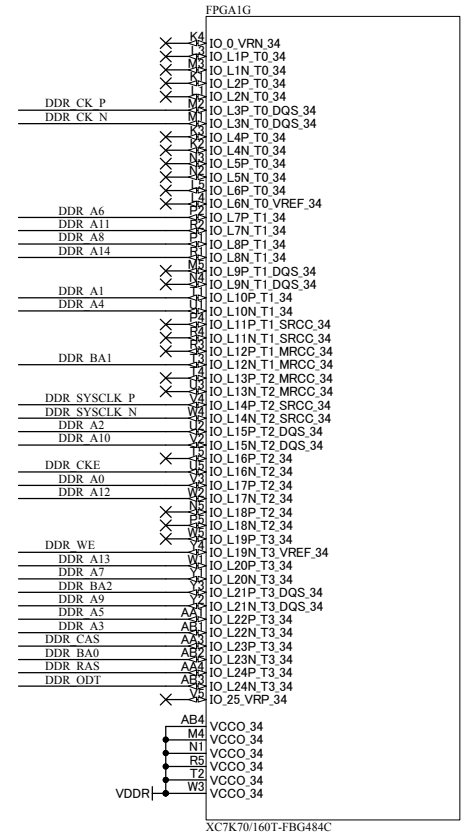
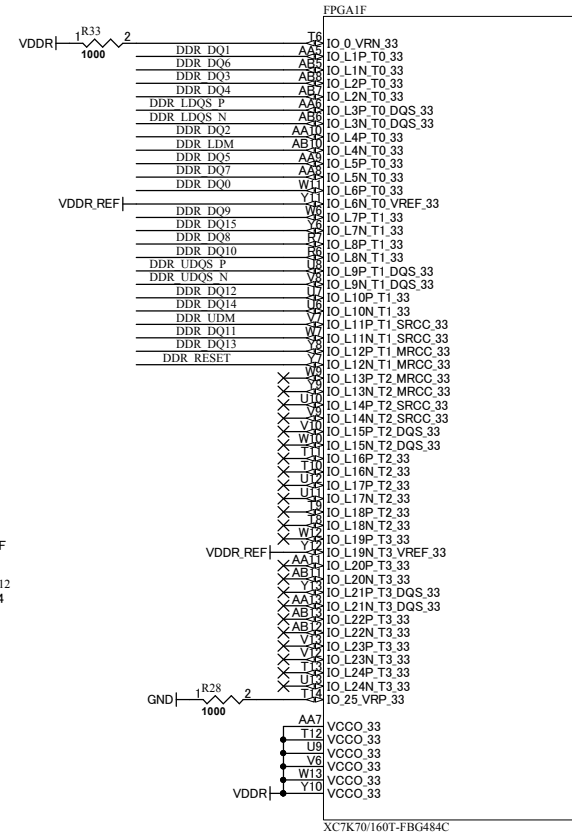
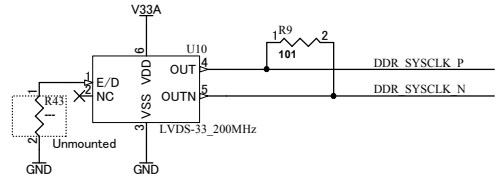
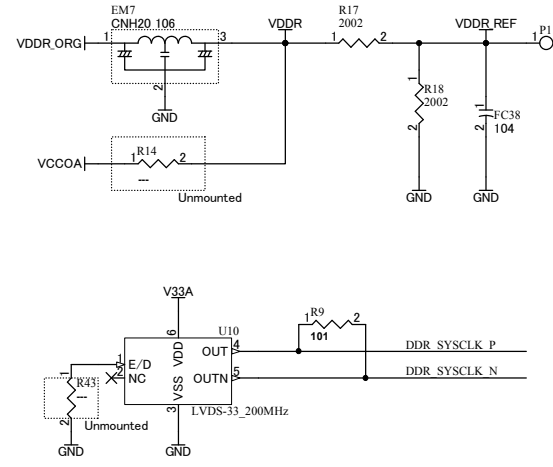
BANK Group B

BANK Group A



		HUMAN DATA LTD. OSAKA JAPAN www.hdl.co.jp/en/(Global) www.hdl.co.jp/(Japan)		KINTEX FBG484 FPGA Board	
Date:	2013/11/26	15:58:41	File:	XCM112_IO.sch	A

V33A	V33A
VIO(B)	VIO(B)
VCCINT_10	VCCINT_10
VMGTVCC_10	VMGTVCC_10
VMGTAVTT_12	VMGTAVTT_12
VCCAUX_18	VCCAUX_18
VDDR_ORG	VDDR_ORG
VCCOA	VCCOA
VCCOB	VCCOB
VMGTAVCCAUX_18	VMGTAVCCAUX_18
VCCXADC_18	VCCXADC_18
GND	GND

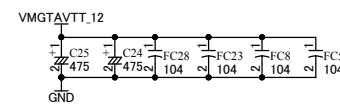
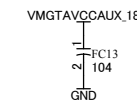
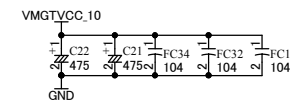
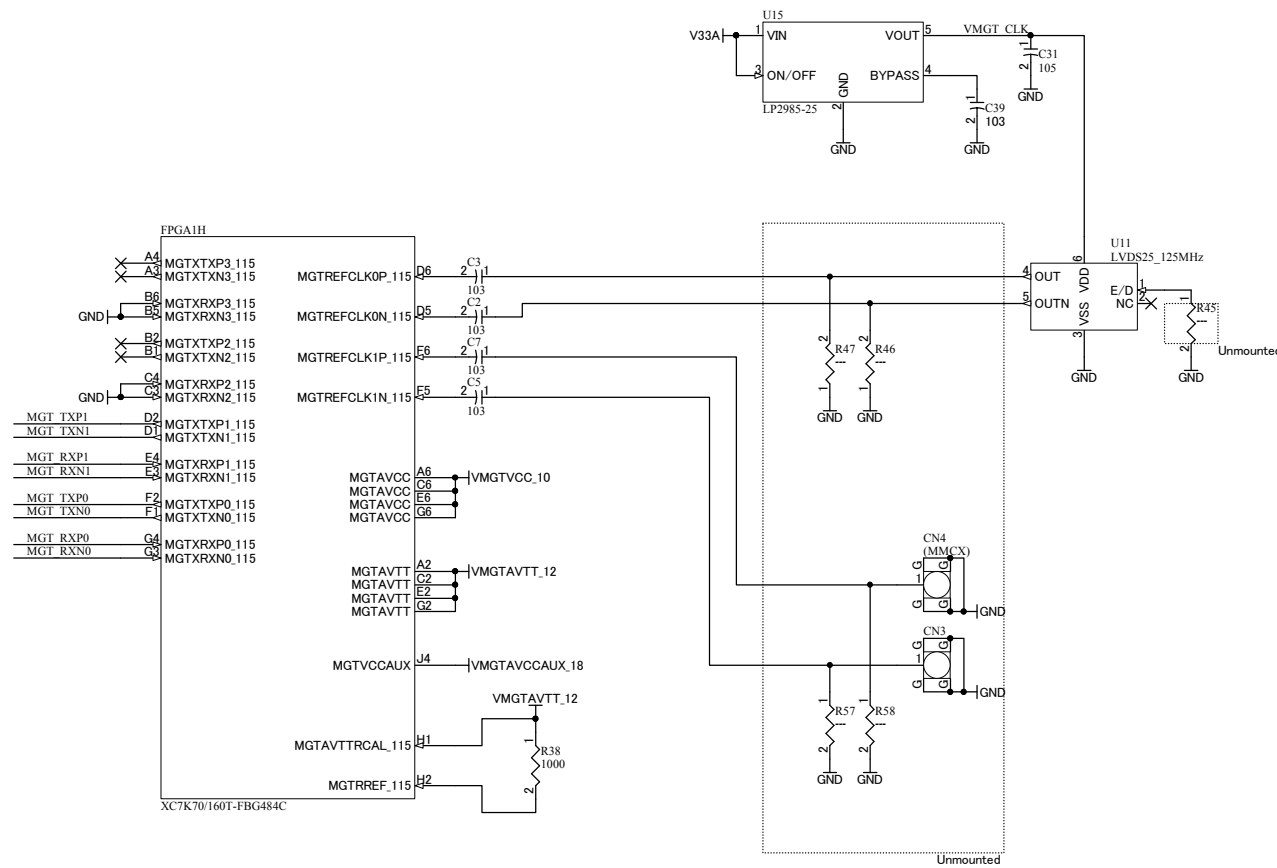


XCM112R1-SCH-A.pdf

HUMAN DATA			
HuMANDATA LTD. OSAKA JAPAN www.hdl.co.jp/en/(Global) www.hdl.co.jp/(Japan)		KINTEX FBG484 FPGA Board	
Date:	2013/11/26	DOC. No.	XCM-112
	15:58:41	File:	XCM112_Memory.sch
		Sheet	3 of 4

V33A	V33A
VIO(B)	VIO(B)
VCCINT_10	VCCINT_10
VMGTVCC_10	VMGTVCC_10
VMGTAVTT_12	VMGTAVTT_12
VCCAUX_18	VCCAUX_18
VDDR_ORG	VDDR_ORG
VCCOA	VCCOA
VCCOB	VCCOB
VMGTAVCCAUX_18	VMGTAVCCAUX_18
VCCXADC_18	VCCXADC_18
GND	GND

MGT TXP0	MGT TXP0
MGT TXN0	MGT TXN0
MGT RXP0	MGT RXP0
MGT RXN0	MGT RXN0
MGT TXP1	MGT TXP1
MGT TXN1	MGT TXN1
MGT RXP1	MGT RXP1
MGT RXN1	MGT RXN1



XCM112R1-SCH-A.pdf

		KINTEX FBG484 FPGA Board							
				DOC. No.	XCM-112				
Date:	2013/11/26	15:58:42	File:	XCM112_RocketIO.sch	Sheet	4	of	4	A