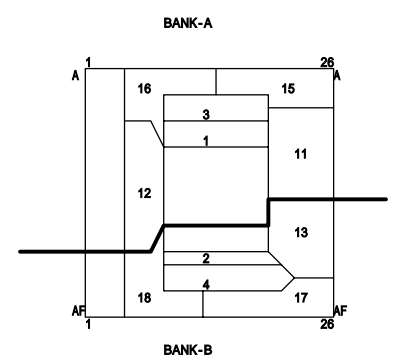
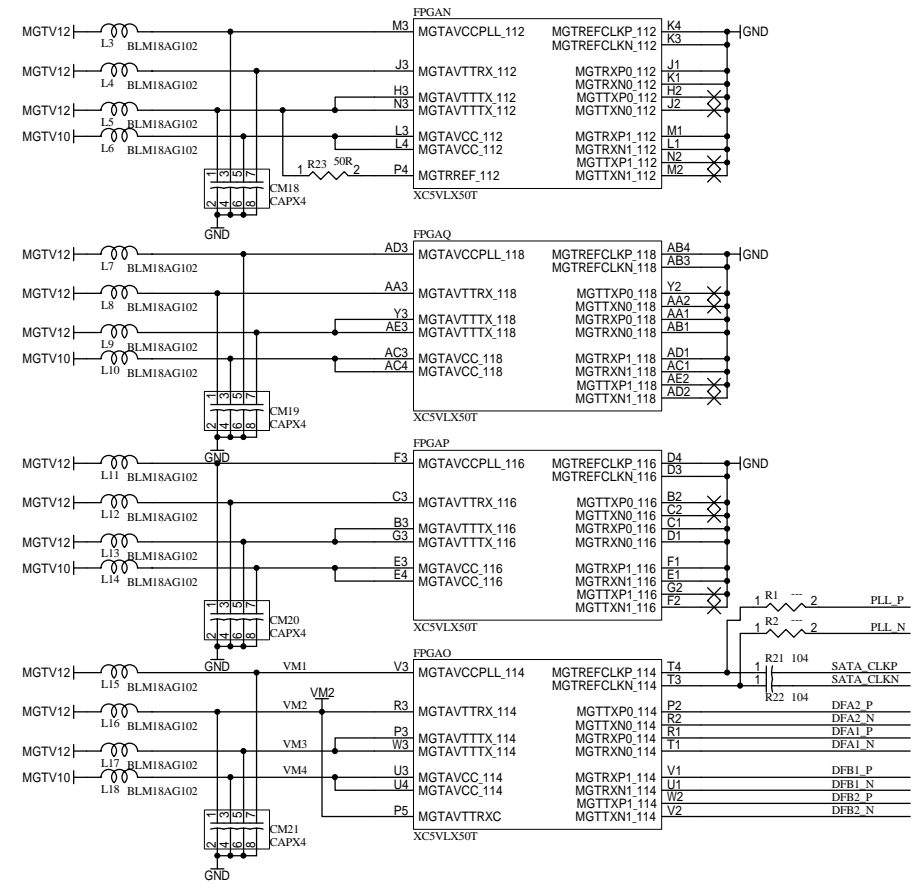
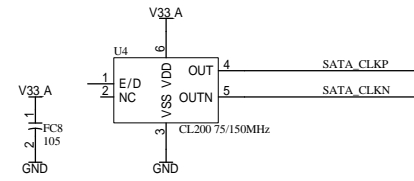
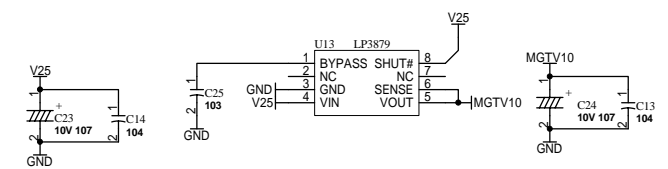
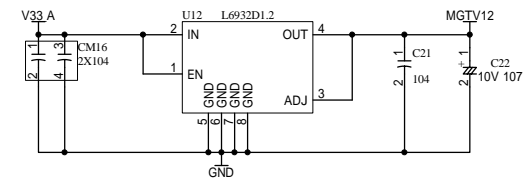
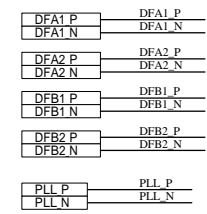


preliminary

		2008/10/15	
HuMANDATA LTD. OSAKA JAPAN www.hdl.co.jp		Virtex5 LX50T B.B.	
Date:	5-Feb-2009	10:40:34	File: XCM107B.sch
DOC. No.	XCM-107	Sheet	1 of 4
			B

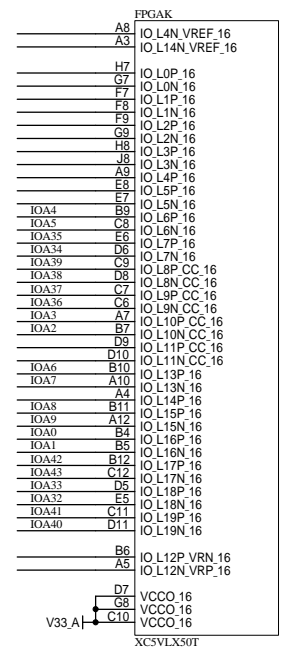
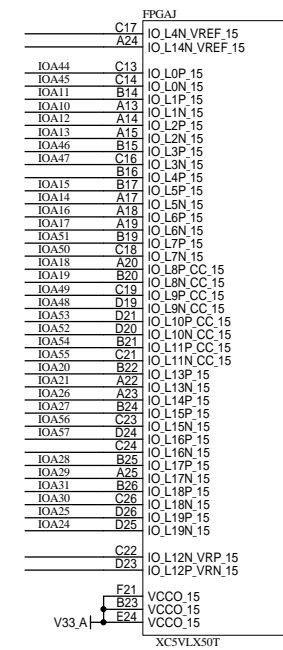
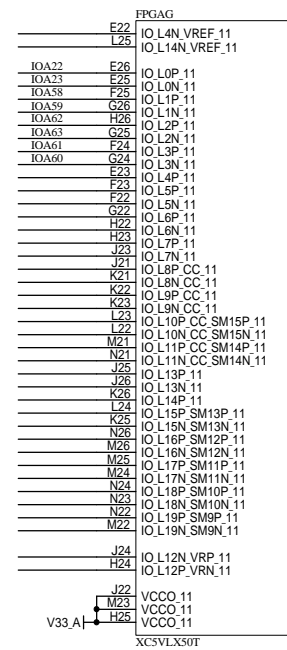
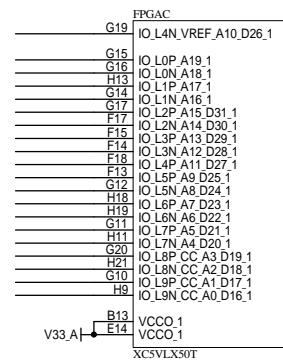
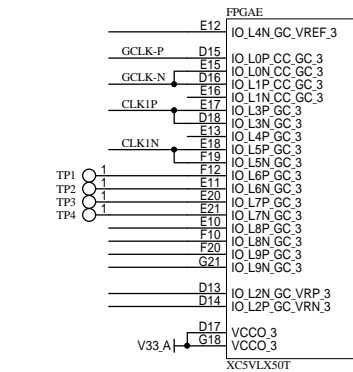
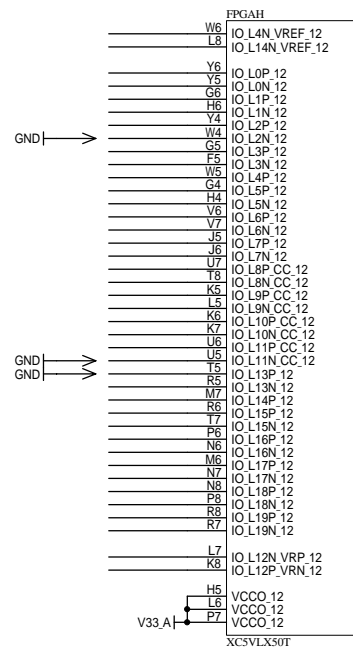
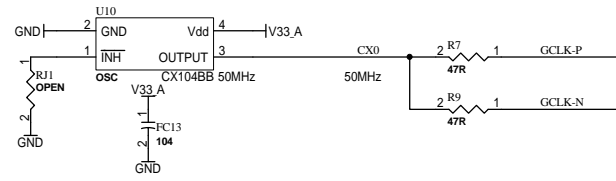
- V10 V10
- V12 V12
- V25 V25
- V33 A V33\_A
- V33 B V33\_B
- GND GND
- VREF VREF
- VM2 VM2



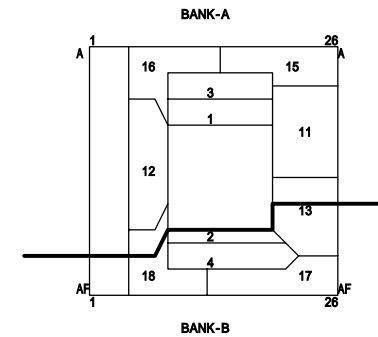
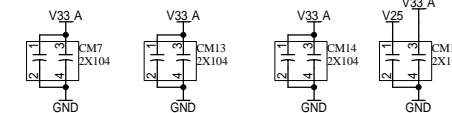
preliminary

<b>HUMAN DATA</b>		-----	
HuMANDATA LTD. OSAKA JAPAN www.hdl.co.jp		Virtex5 LX50T B.B.	
Date: 5-Feb-2009	10:40:35	DOC. No. XCM-107	B
File: X5IOX.sch		Sheet 4 of 4	

V10 V10  
 V12 V12  
 V25 V25  
 V33\_A V33\_A  
 V33\_B V33\_B  
 GND GND



BANK-AB

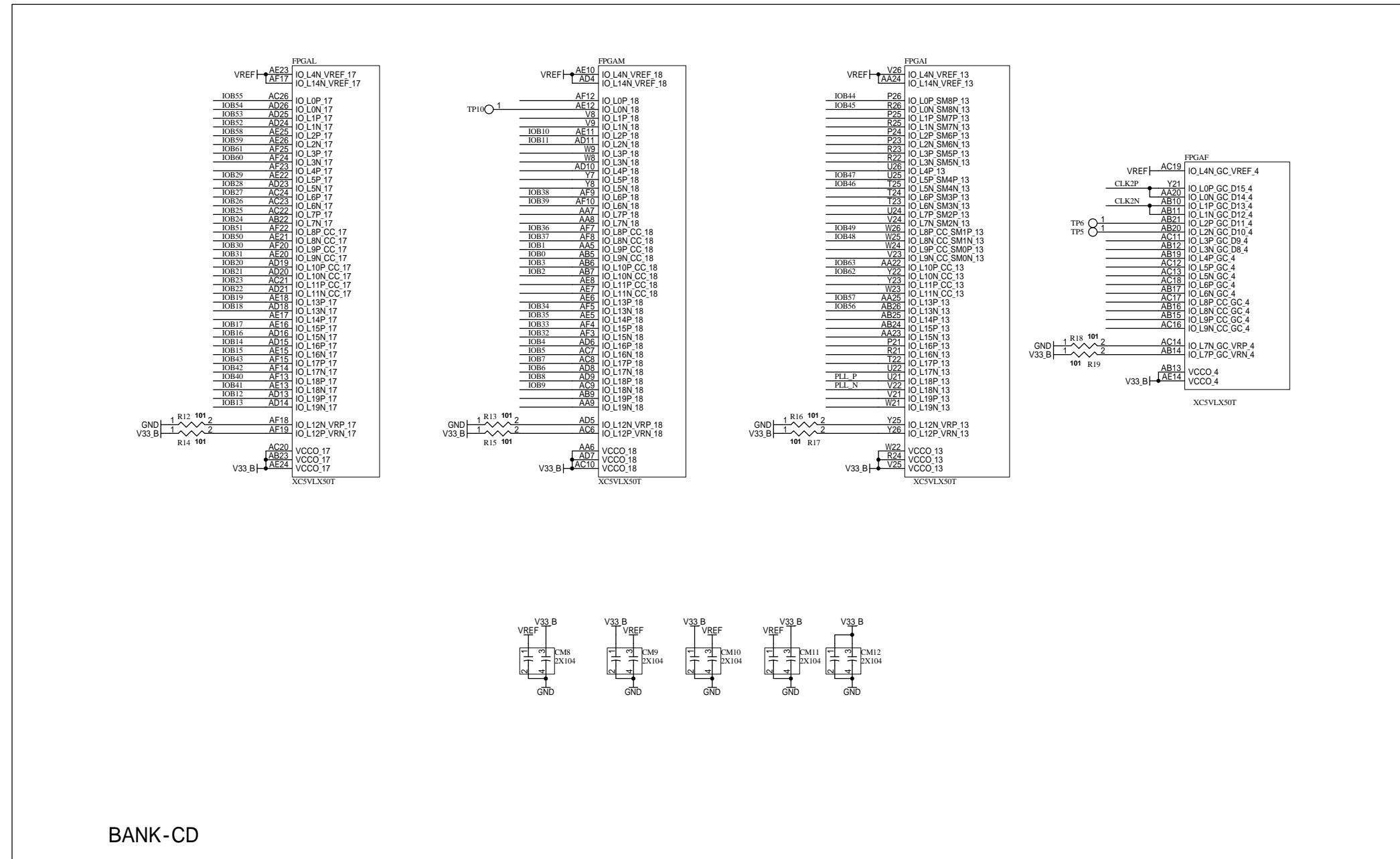


preliminary

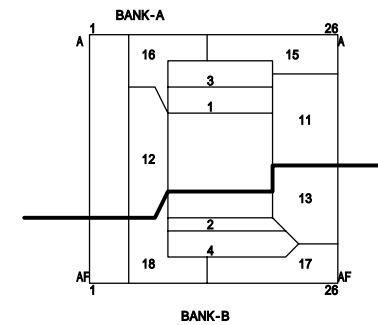
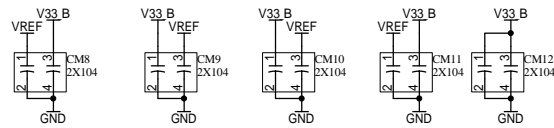
		Virtex5 LX50T B.B.	
HuMANDATA LTD. OSAKA JAPAN www.hdl.co.jp		DOC. No. XCM-107	B
Date: 5-Feb-2009	10:40:35	File: X5IOA.sch	Sheet 2 of 4

V10 V10  
 V12 V12  
 V25 V25  
 V33 A V33\_A  
 V33 B V33\_B  
 GND GND  
 VREF VREF

IOB(0..63) IOB(0..63)  
 CLK2P CLK2P  
 CLK2N CLK2N  
 PLL\_P PLL\_P  
 PLL\_N PLL\_N



BANK-CD



preliminary

<b>HUMAN DATA</b>			
HuMANDATA LTD. OSAKA JAPAN www.hdl.co.jp		Virtex5 LX50T B.B.	
Date: 5-Feb-2009	10:40:36	DOC. No. XCM-107	B
File: X5IOB.sch	Sheet 3	of 4	