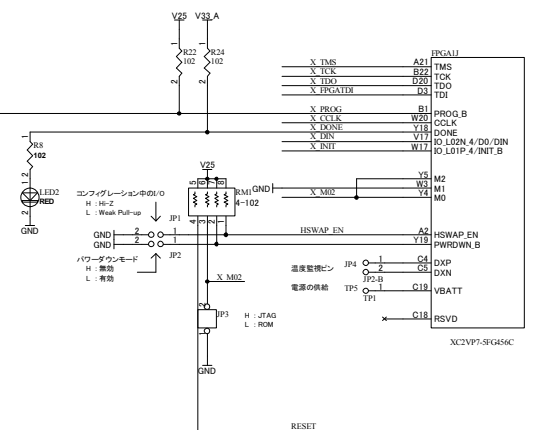
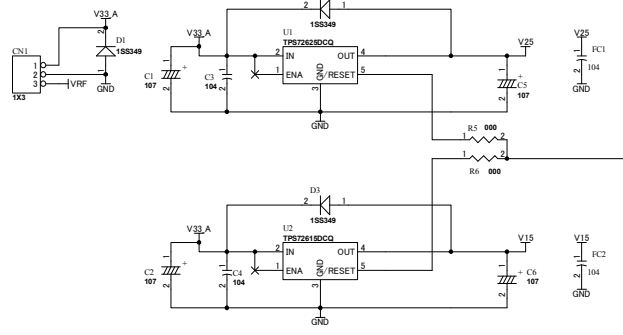
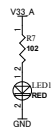
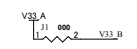
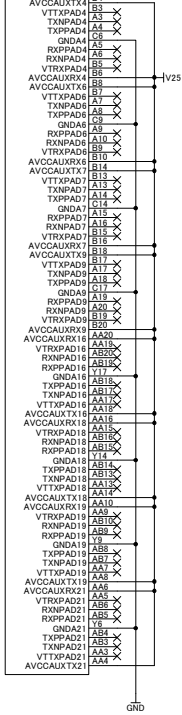


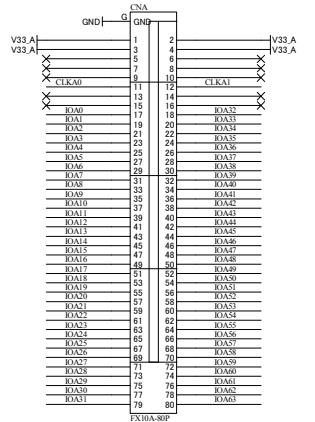
VRF --- VRF
V12 --- V12
V25 --- V25
V33.A --- V33.A
V33.B --- V33.B
GND --- GND



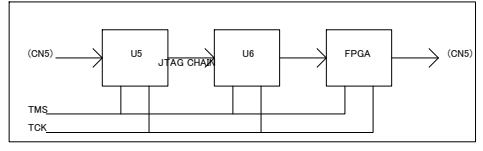
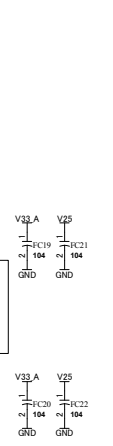
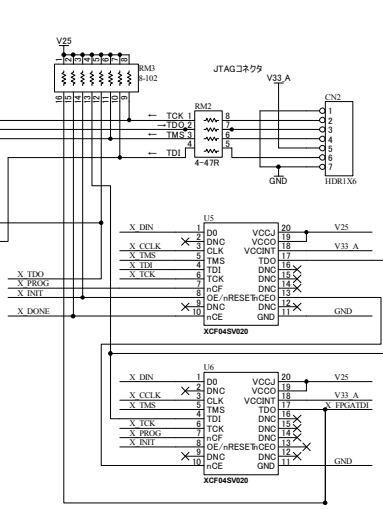
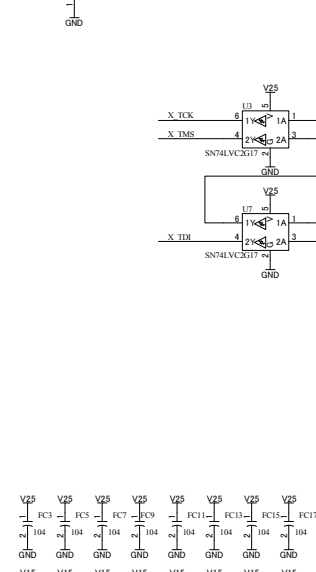
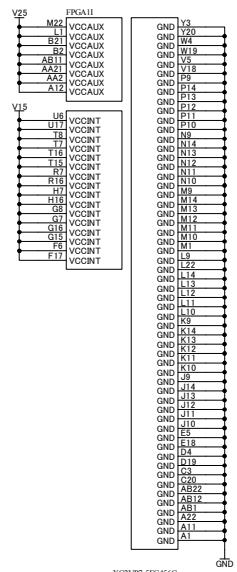
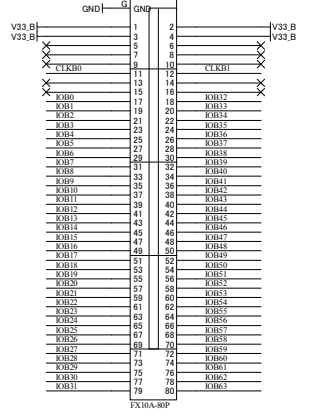
ロケットI/O 不使用

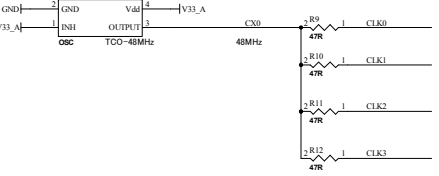
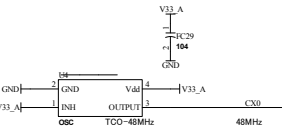
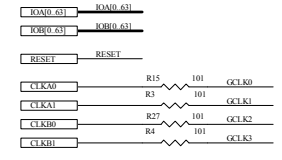
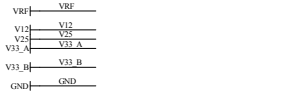


Bank A

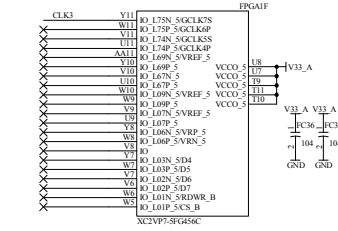
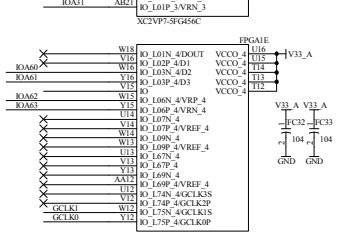
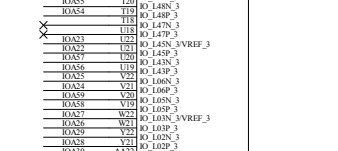
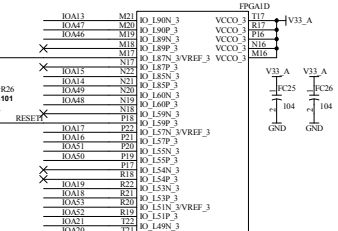
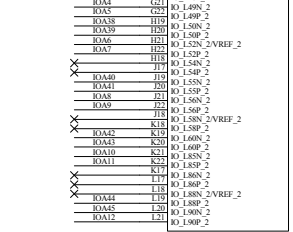
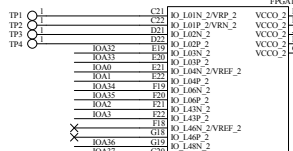
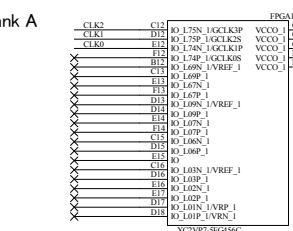


Bank B





Bank A



Bank B

