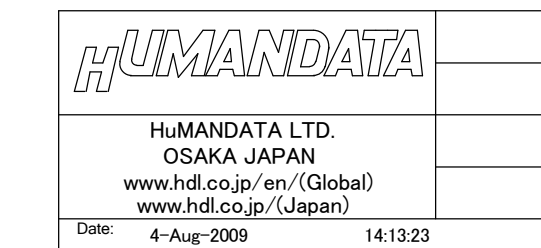
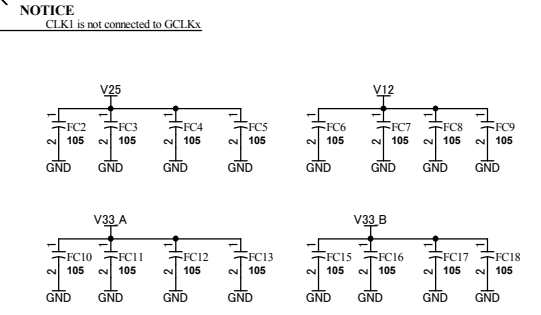
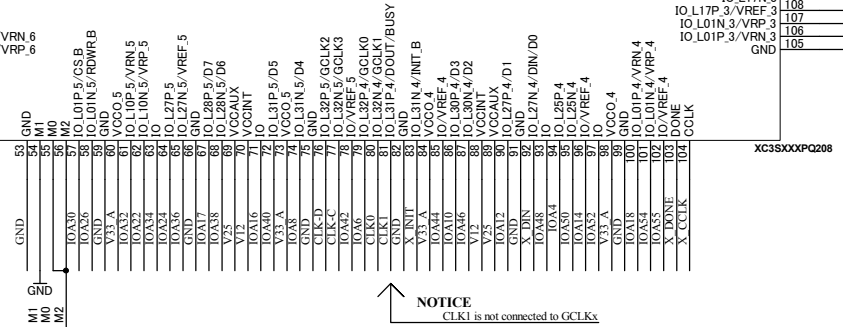
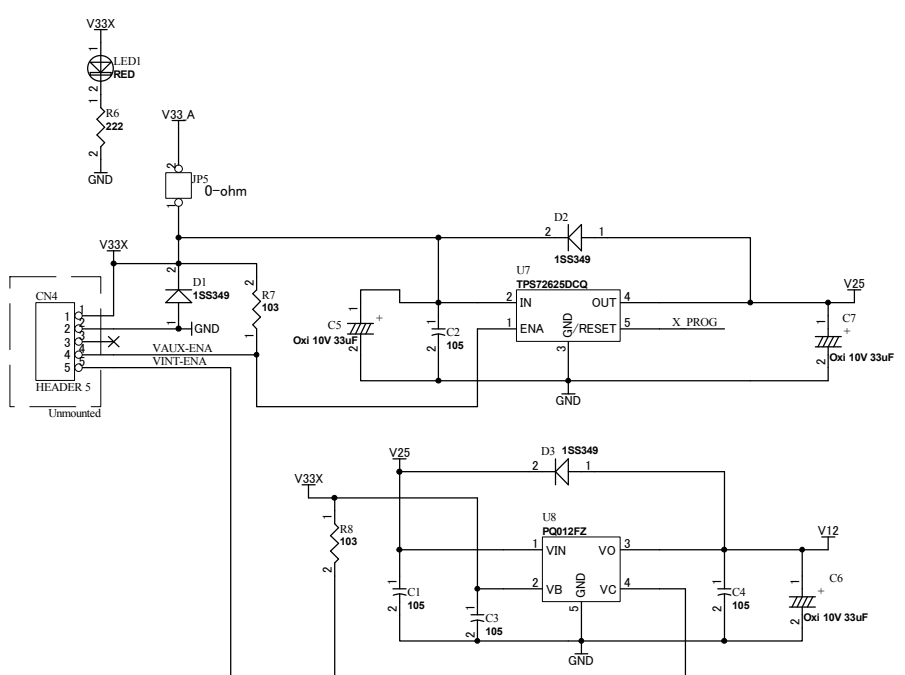
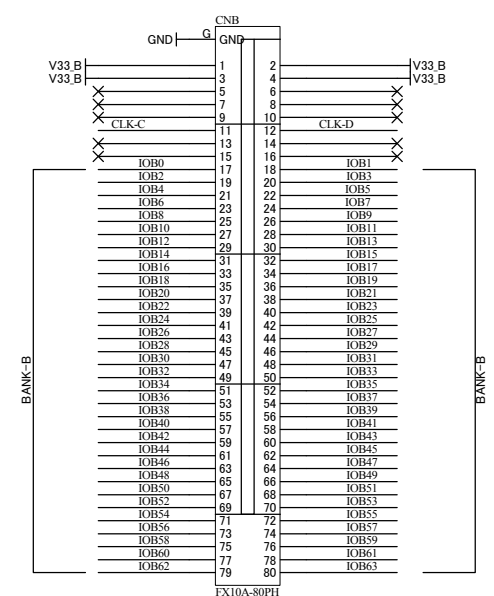
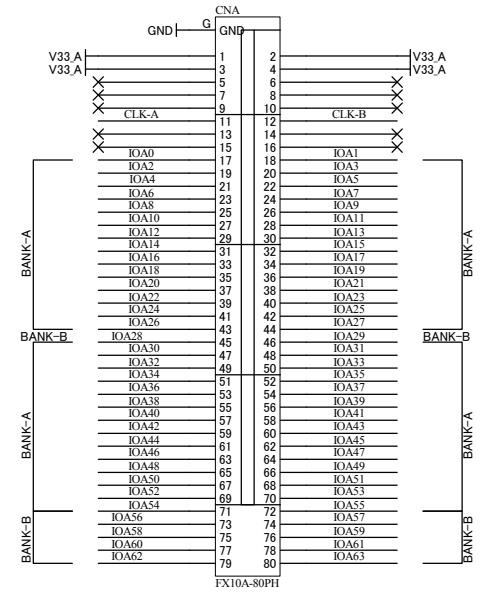
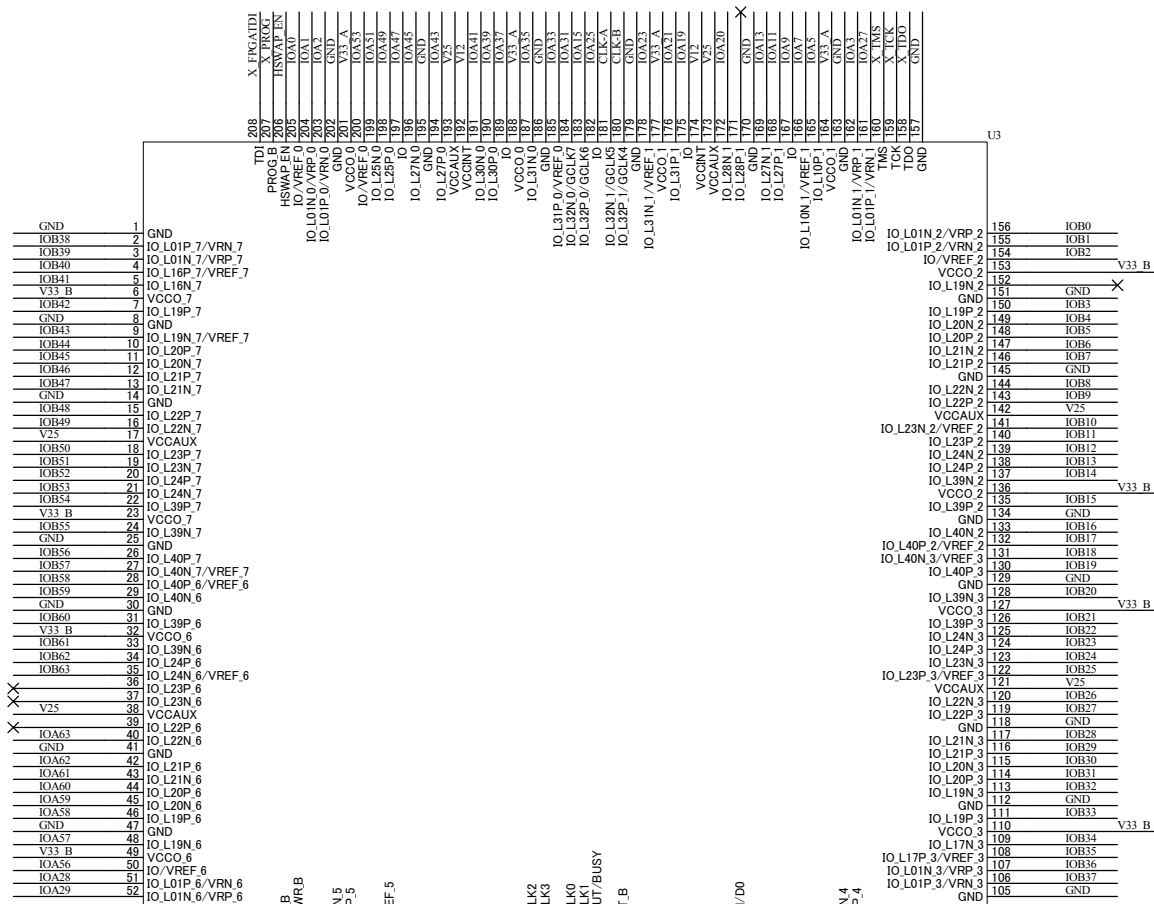
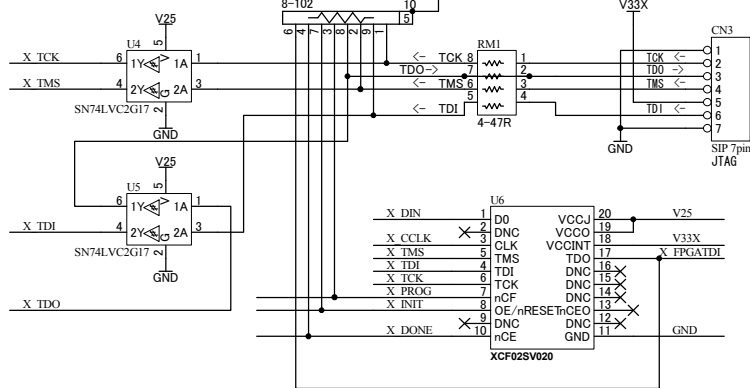
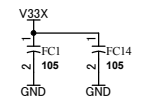
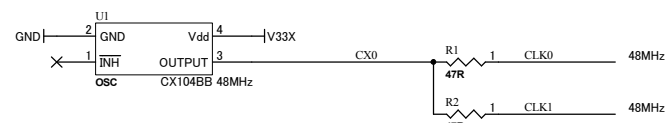


V12
V25
V33 A
V50
GND



HUMAN DATA
HuMANDATA LTD.
OSAKA JAPAN
www.hdl.co.jp/en/(Global)
www.hdl.co.jp/(Japan)

SP3 FPGA BOARD(HARF SIZE)

DOC. No. XCM-101

B2

Date: 4-Aug-2009 14:13:23

File: XCM101B.sch

Sheet 1 of 1