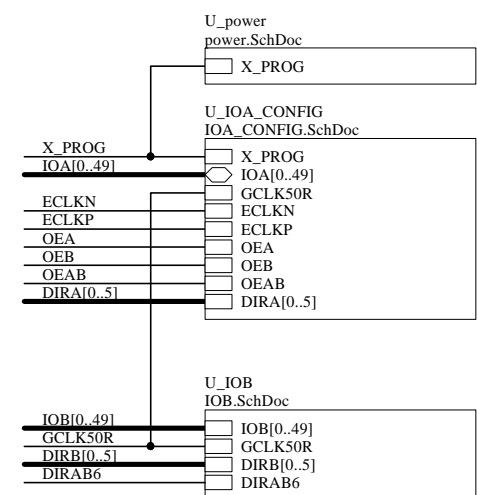


(\*1)

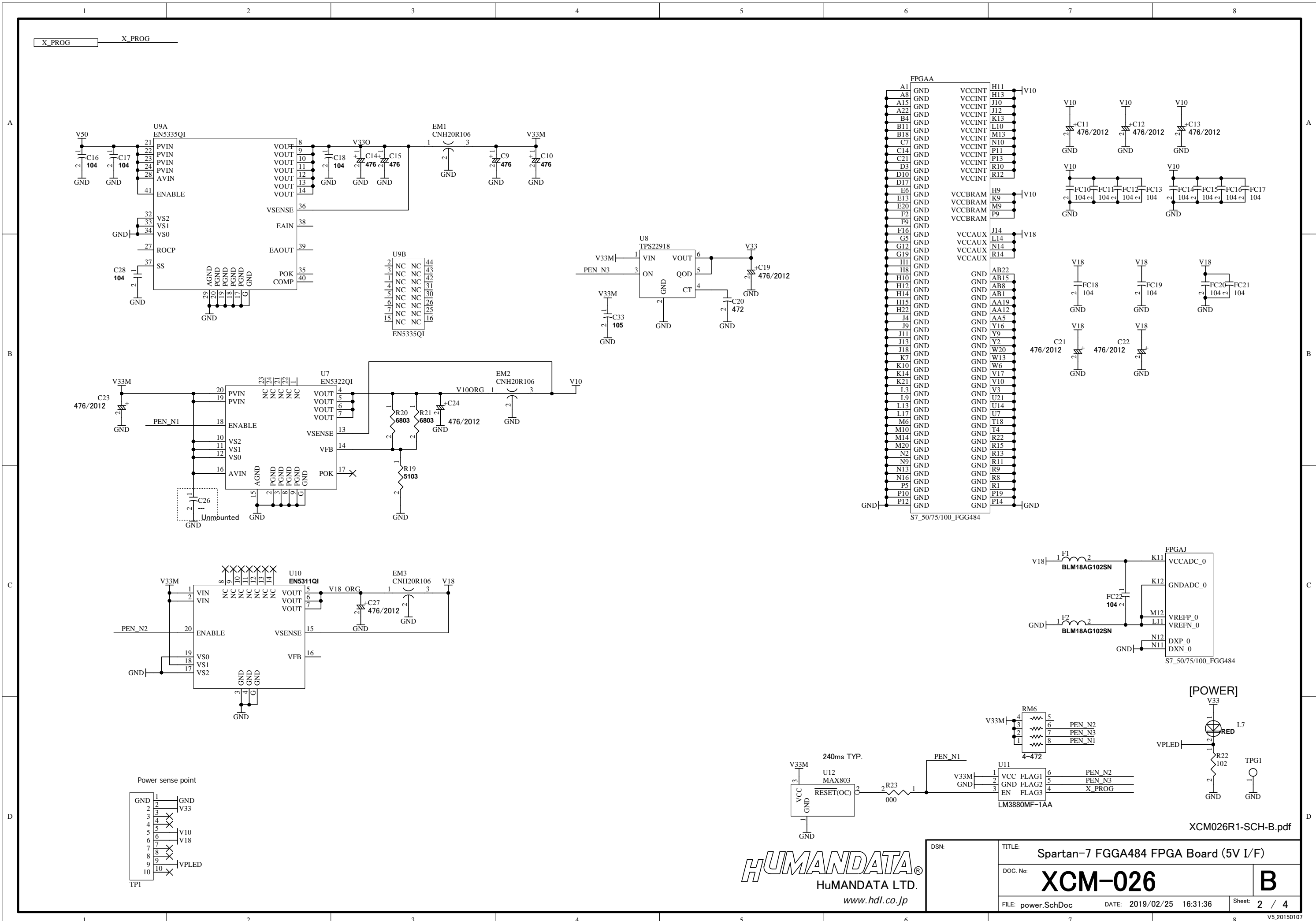
	XCM-026	XCM-026Y
U13-25	74LVCC3245	74CB3T3245



**HUMAN DATA**  
 HuMANDATA LTD.  
 www.hdl.co.jp

DSN:	TITLE: Spartan-7 FGA484 FPGA Board (5V I/F)
DOC. No:	<b>XCM-026</b>
FILE: XCM026B.SchDoc	DATE: 2019/02/25 16:31:36
Sheet:	<b>B</b> / 4

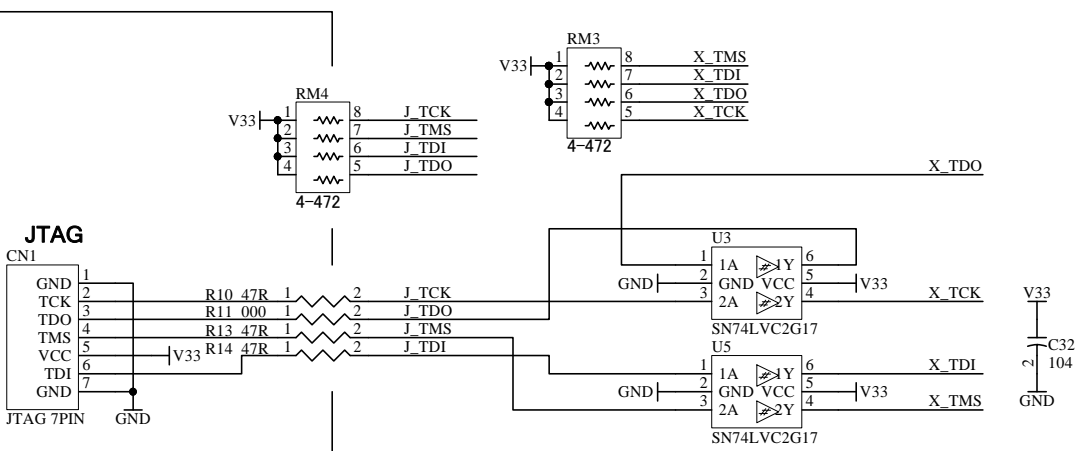
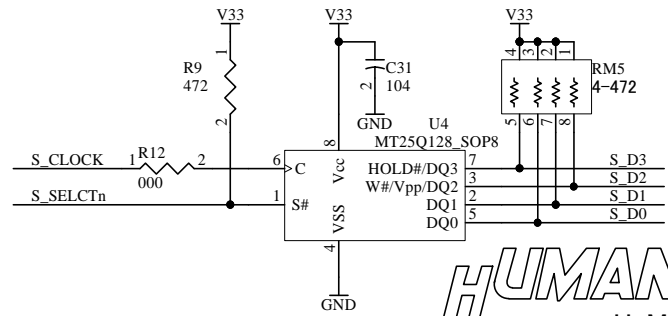
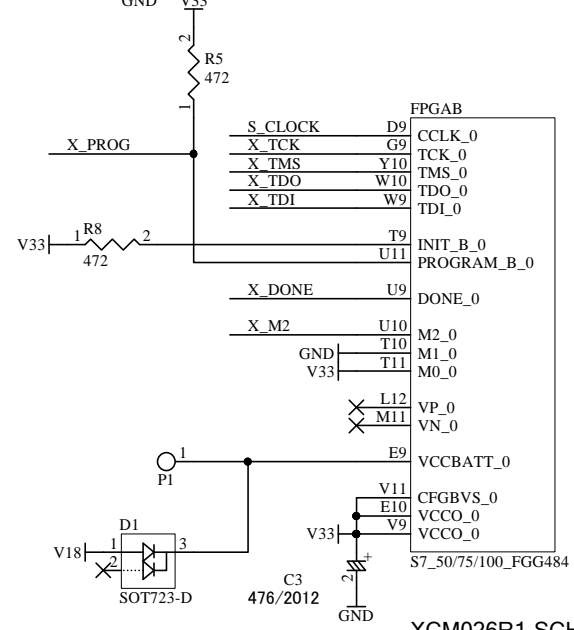
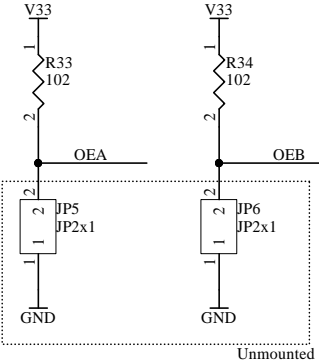
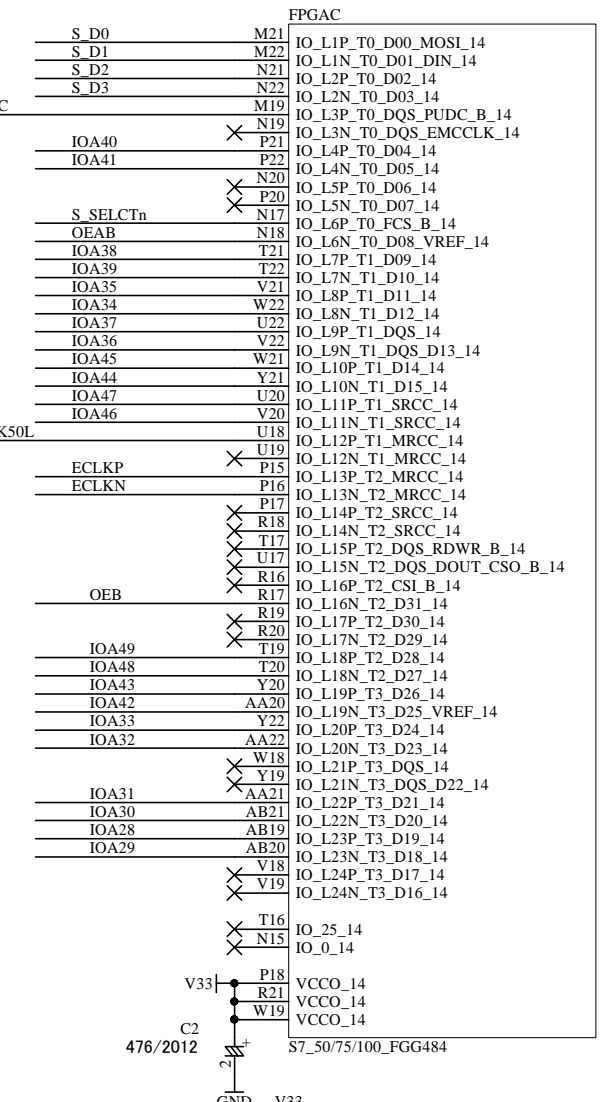
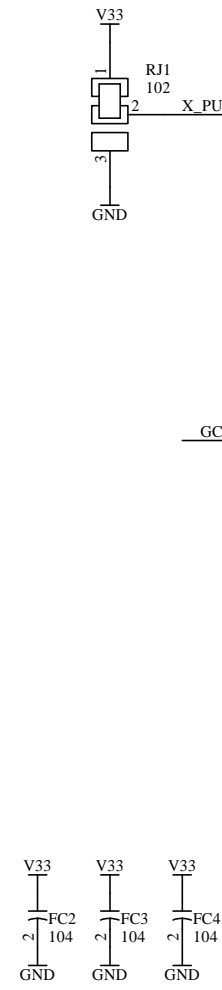
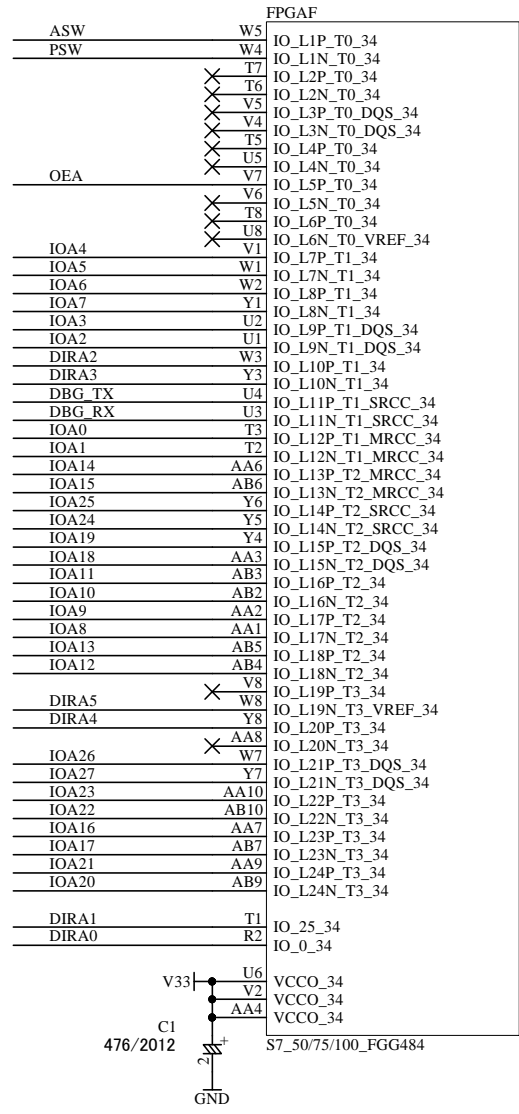
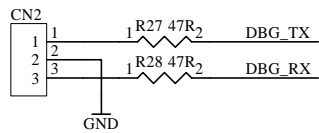
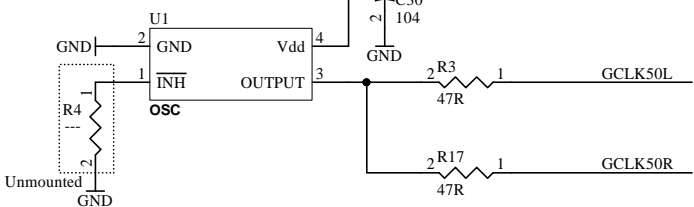
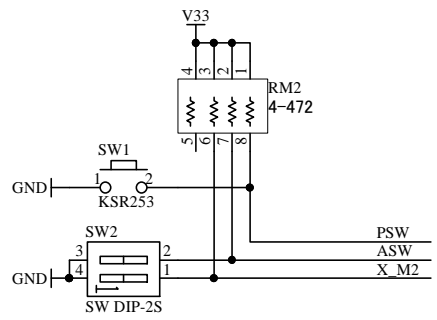
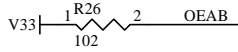
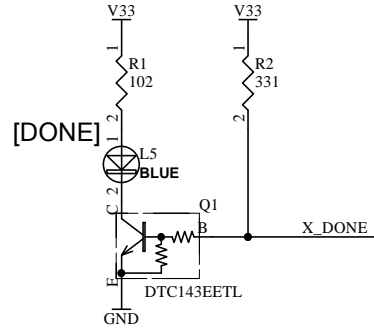
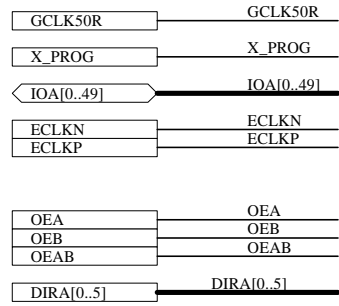
XCM026R1-SCH-B.pdf



**HUMAN DATA**  
 HuMANDATA LTD.  
 www.hdl.co.jp

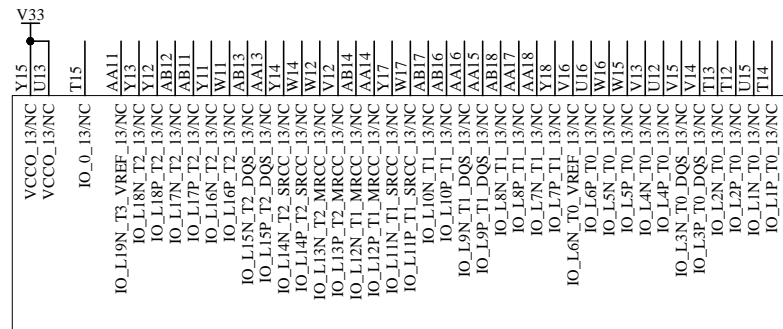
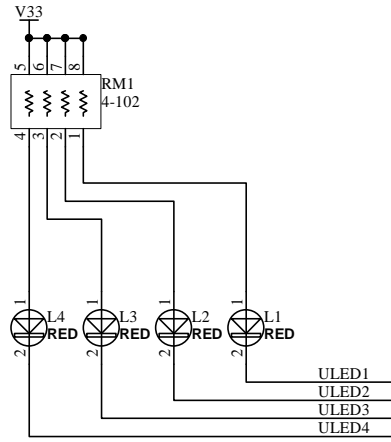
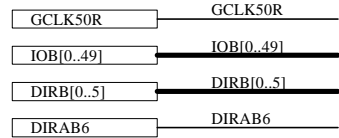
DSN:	TITLE: Spartan-7 FGGA484 FPGA Board (5V I/F)
DOC. No:	<b>XCM-026</b>
FILE: power.SchDoc	DATE: 2019/02/25 16:31:36
Sheet:	<b>2 / 4</b>

XCM026R1-SCH-B.pdf

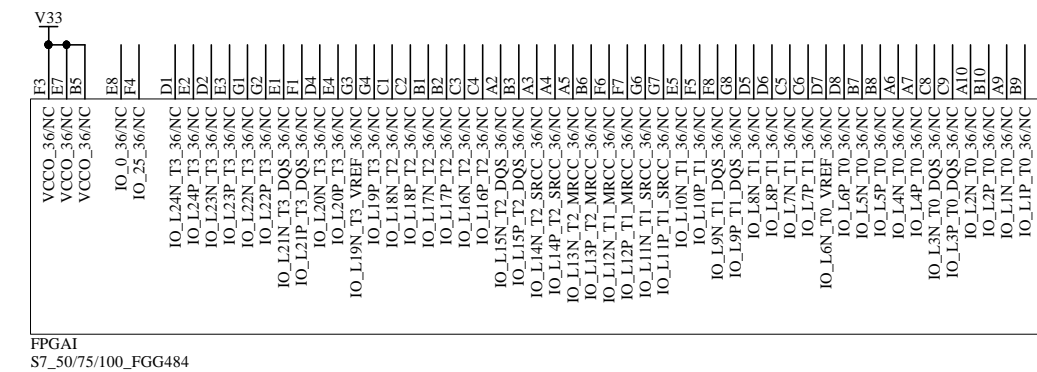


**HUMAN DATA**  
HuMANDATA LTD.  
www.hdl.co.jp

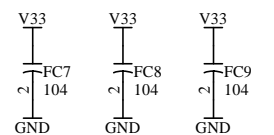
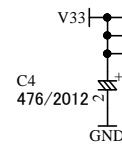
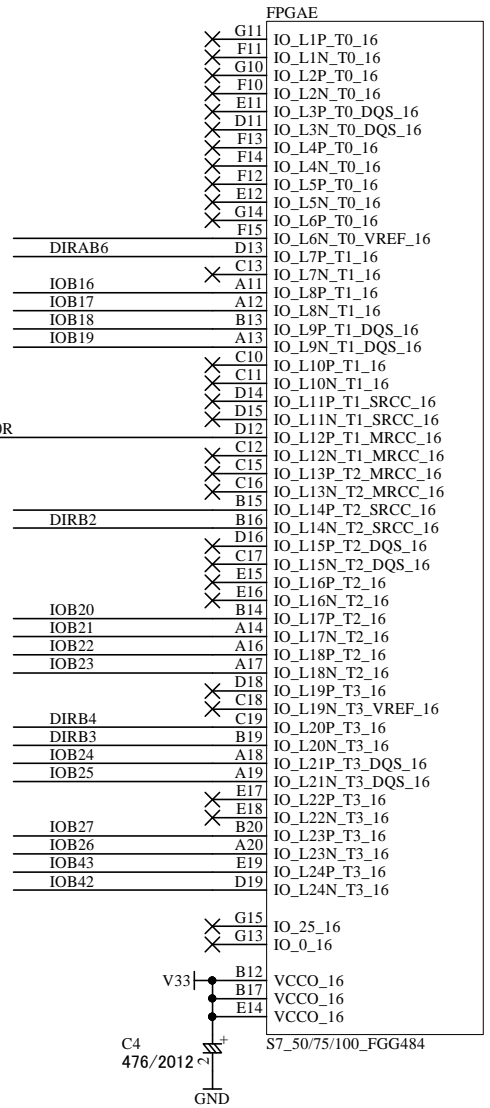
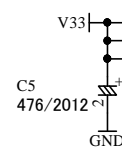
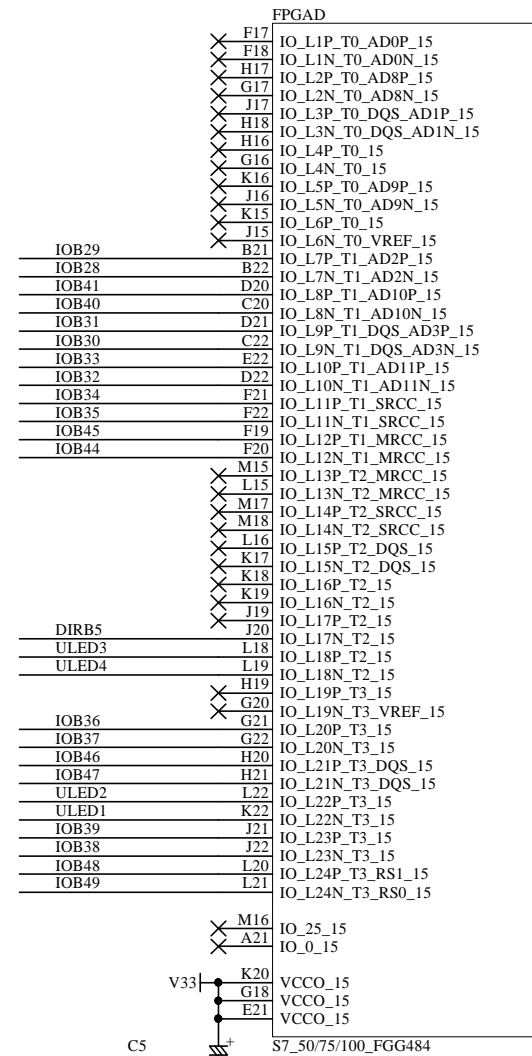
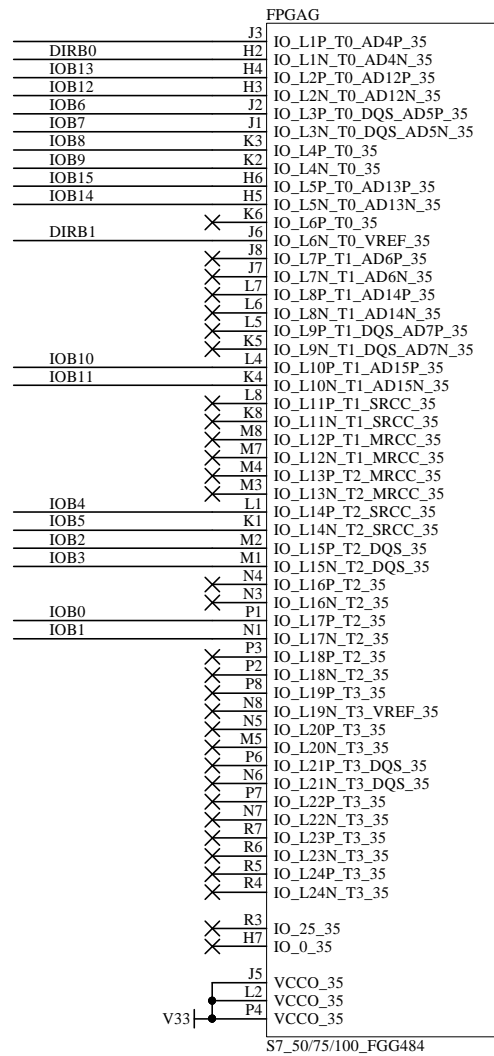
DSN:	TITLE: Spartan-7 FGA484 FPGA Board (5V I/F)
DOC. No:	XCM-026
FILE: IOA_CONFIG.SchDoc	DATE: 2019/02/25 16:31:36
Sheet: 3 / 4	



FPGAH  
S7\_50/75/100\_FGG484



FPGA1  
S7\_50/75/100\_FGG484



XCM026R1-SCH-B.pdf



DSN:	TITLE: Spartan-7 FGGA484 FPGA Board (5V I/F)
DOC. No: XCM-026	B
FILE: IOB.SchDoc	DATE: 2019/02/25 16:31:36
Sheet: 4 / 4	