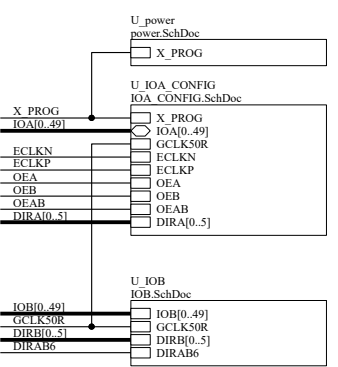


< *1 >

	XCM-026	XCM-026Y
U13-25	74LVC3245	74CB3T3245

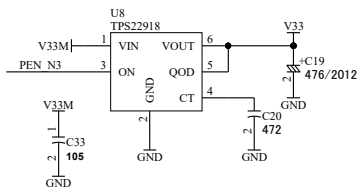
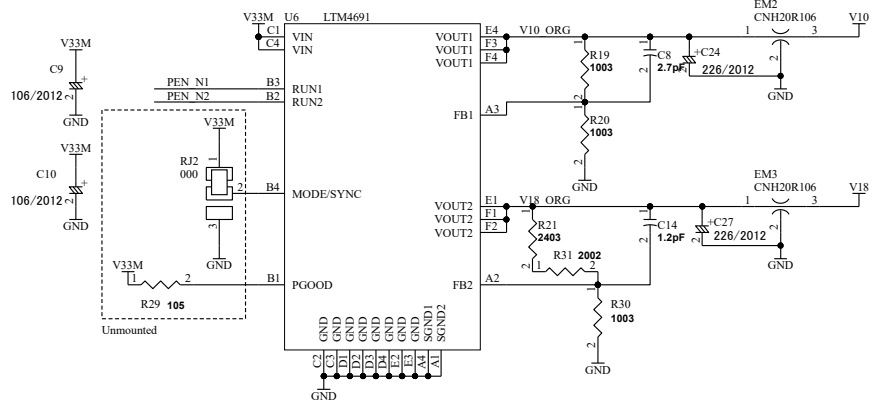
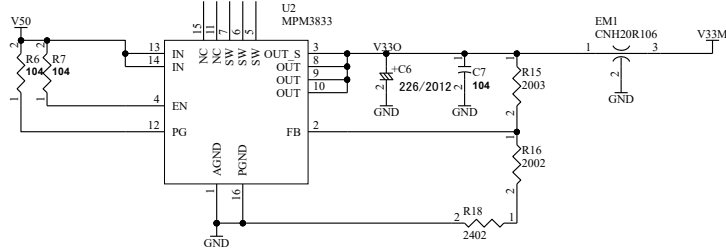


XCM026R2-SCH-C.pdf

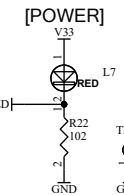
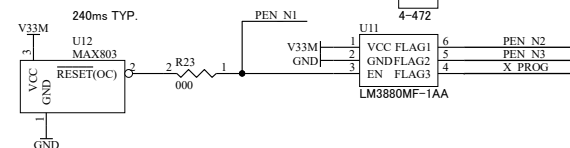
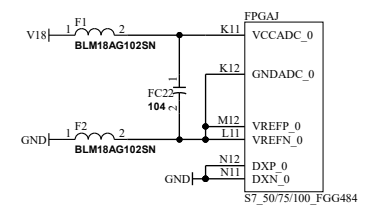
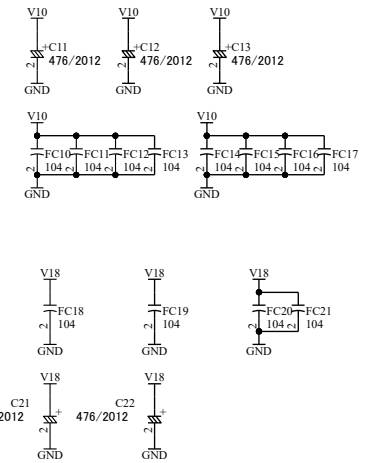
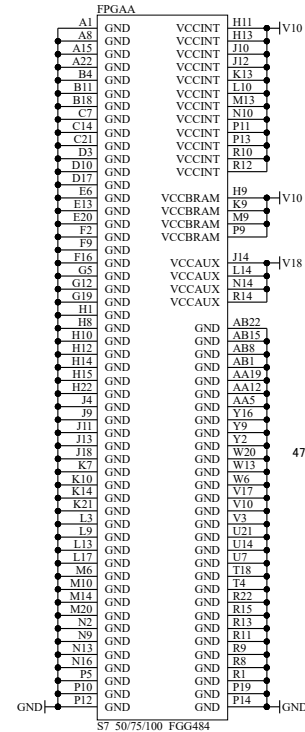
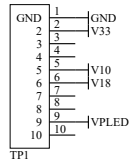
HUMAN DATA
 HuMANDATA LTD.
www.hdl.co.jp/ (Japan)
www2.hdl.co.jp/en/ (Global)

DSN:	TITLE: Spartan-7 FGA484 FPGA Board (5V I/F)	C
DOC. No:	XCM-026	
FILE: XCM026C.SchDoc	DATE: 2022/09/05 9:48:21	Sheet: 1 / 4

X PROG



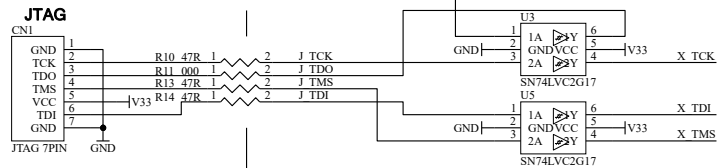
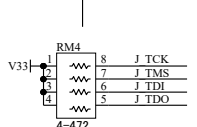
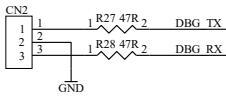
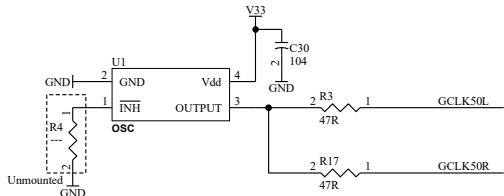
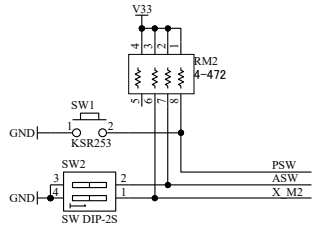
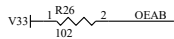
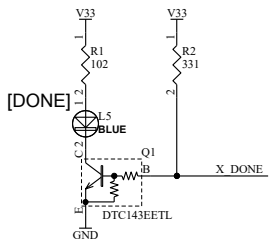
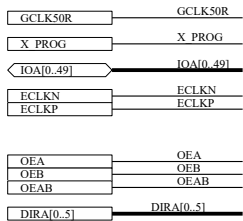
Power sense point



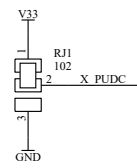
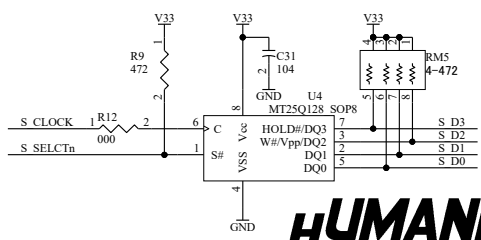
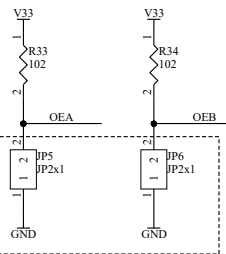
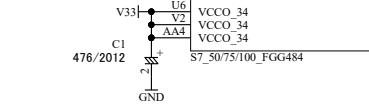
XCM026R2-SCH-C.pdf

HUMAN DATA
 HuMANDATA LTD.
www.hdl.co.jp/ (Japan)
www2.hdl.co.jp/en/ (Global)

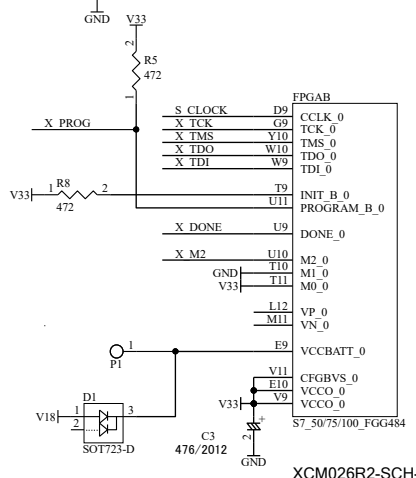
DSN:	TITLE: Spartan-7 FGA484 FPGA Board (5V I/F)
DOC. No:	XCM-026
FILE: power.SchDoc	DATE: 2022/09/05 9:48:21
Sheet: 2 / 4	C



FPGA	
ASW	W5
PSW	W4
	T7
	T6
	V5
	V4
	T5
	U5
	V7
	V6
	T8
	U8
	U5
IOA4	W1
IOA5	W1
IOA6	W2
IOA7	Y1
IOA3	U2
IOA2	U1
DIRA2	W3
DIRA3	Y3
DBG_TX	U4
DBG_RX	U3
IOA0	T3
IOA1	T2
IOA14	AA6
IOA15	AB6
IOA25	Y6
IOA24	Y5
IOA19	Y4
IOA18	AA3
IOA11	AB3
IOA10	AB2
IOA9	AA2
IOA8	AA1
IOA13	AB5
IOA12	AB4
	V8
DIRA5	W8
DIRA4	Y8
	AA8
IOA26	W7
IOA27	Y7
IOA23	AA10
IOA22	AB10
IOA16	AA7
IOA17	AB7
IOA21	AA9
IOA20	AB9
	T1
DIRA1	U25
DIRA0	R2
	U25_34
	U0_34

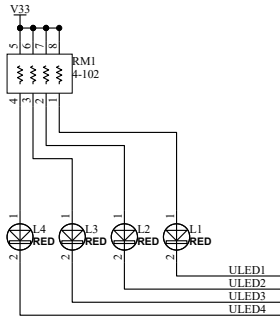


FPGA	
S_D0	M21
S_D1	M22
S_D2	N21
S_D3	N22
	M19
	N19
IOA40	P21
IOA41	N20
	P20
S_SELCTn	N17
OEAB	N18
IOA38	T21
IOA39	T22
IOA35	V22
IOA34	W22
IOA37	U22
IOA36	Y22
IOA45	W21
IOA44	Y21
IOA47	U20
IOA46	V20
GCLK50L	U18
	U19
ECLKP	P15
ECLKN	P16
	P17
	R18
	T17
	R16
	R17
	R19
IOA49	T19
IOA48	T20
IOA43	Y20
IOA42	AA20
IOA33	Y22
IOA32	AA22
	W18
	Y19
IOA31	AA21
IOA30	AB21
IOA28	AB19
IOA29	AB20
	V18
	V19
	T16
	IO_25_14
	IO_0_14
	VCCO_14
	VCCO_14
	VCCO_14
	P18
	R21
	W19
	C2
	476/2012
	S7_50/75/100_FGG484



DSN:	TITLE: Spartan-7 FGA484 FPGA Board (5V I/F)
DOC. No:	XCM-026
FILE: IOA_CONFIG.SchDoc	DATE: 2022/09/05 9:48:22
Sheet: 3 / 4	

GCLK50R	GCLK50R
IOB[0..49]	IOB[0..49]
DIRB[0..5]	DIRB[0..5]
DIRAB6	DIRAB6



FPGA	
DIRB0	H2
IOB13	H4
IOB12	H3
IOB6	J2
IOB7	H1
IOB8	K3
IOB9	K2
IOB15	H6
IOB14	H5
DIRB1	K6
IOB10	L4
IOB11	K4
IOB4	L1
IOB5	K1
IOB2	M2
IOB3	M1
IOB0	N3
IOB1	N1
IOB29	B21
IOB28	B22
IOB41	B20
IOB40	C20
IOB31	D21
IOB30	C22
IOB33	E22
IOB32	D22
IOB34	F21
IOB35	F22
IOB45	F19
IOB44	F20
IOB36	G21
IOB37	G22
IOB46	H20
IOB47	H21
IOB48	L20
IOB49	L21

IO_25_35	R3
IO_0_35	H7
VCCO_35	J5
VCCO_35	L2
VCCO_35	P4

S7_50/75/100_FGG484

VCCO_13NC	AV15
VCCO_13NC	UB15
IO_0_13NC	TI15
IO_L19N_T3_VREF_13NC	AA11
IO_L18N_T2_13NC	Y12
IO_L18P_T2_13NC	Y13
IO_L17P_T2_13NC	AB11
IO_L16N_T2_13NC	AB12
IO_L16P_T2_13NC	Y11
IO_L15N_T2_DQS_13NC	AA13
IO_L15P_T2_DQS_13NC	Y14
IO_L14N_T2_SRCC_13NC	W14
IO_L14P_T2_SRCC_13NC	W15
IO_L13N_T2_MRCC_13NC	AA14
IO_L13P_T2_MRCC_13NC	Y17
IO_L12N_T2_MRCC_13NC	Y18
IO_L12P_T2_MRCC_13NC	Y19
IO_L11N_T1_SRCC_13NC	AA16
IO_L11P_T1_SRCC_13NC	Y16
IO_L10N_T1_13NC	AA17
IO_L10P_T1_13NC	Y17
IO_L10N_T1_VREF_13NC	AA18
IO_L9N_T1_13NC	Y17
IO_L9P_T1_13NC	Y18
IO_L8N_T1_13NC	AA19
IO_L8P_T1_13NC	Y19
IO_L7N_T1_13NC	Y18
IO_L7P_T1_13NC	Y19
IO_L6N_T0_VREF_13NC	Y16
IO_L6P_T0_13NC	Y17
IO_L5N_T0_13NC	Y18
IO_L5P_T0_13NC	Y19
IO_L4N_T0_13NC	Y18
IO_L4P_T0_13NC	Y19
IO_L3N_T0_DQS_13NC	Y18
IO_L3P_T0_DQS_13NC	Y19
IO_L2N_T0_13NC	Y18
IO_L2P_T0_13NC	Y19
IO_L1P_T0_13NC	Y18

FPGAH
S7_50/75/100_FGG484

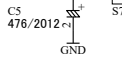
VCCO_36NC	F3
VCCO_36NC	E7
VCCO_36NC	B5
IO_0_36NC	E8
IO_25_36NC	F4
IO_L24N_T3_36NC	D1
IO_L23N_T3_36NC	D2
IO_L23P_T3_36NC	D3
IO_L22N_T3_36NC	E1
IO_L22P_T3_36NC	E2
IO_L21N_T3_DQS_36NC	F1
IO_L21P_T3_DQS_36NC	F2
IO_L20P_T3_36NC	G3
IO_L19N_T3_VREF_36NC	G4
IO_L19P_T3_VREF_36NC	G5
IO_L18N_T2_36NC	G1
IO_L18P_T2_36NC	G2
IO_L17N_T2_36NC	H1
IO_L17P_T2_36NC	H2
IO_L16N_T2_36NC	H3
IO_L16P_T2_36NC	H4
IO_L15N_T2_DQS_36NC	A2
IO_L15P_T2_DQS_36NC	A3
IO_L14N_T2_SRCC_36NC	A4
IO_L14P_T2_SRCC_36NC	A5
IO_L13P_T2_MRCC_36NC	B6
IO_L13P_T1_MRCC_36NC	B7
IO_L12N_T1_SRCC_36NC	C6
IO_L12P_T1_SRCC_36NC	C7
IO_L11N_T1_36NC	C8
IO_L11P_T1_36NC	C9
IO_L10N_T1_DQS_36NC	D5
IO_L10P_T1_DQS_36NC	D6
IO_L9N_T1_36NC	D7
IO_L9P_T1_36NC	D8
IO_L8N_T1_36NC	D9
IO_L8P_T1_36NC	D10
IO_L7N_T1_36NC	D11
IO_L7P_T1_36NC	D12
IO_L6N_T0_VREF_36NC	E6
IO_L6P_T0_36NC	E7
IO_L5N_T0_36NC	E8
IO_L5P_T0_36NC	E9
IO_L4N_T0_36NC	F6
IO_L4P_T0_36NC	F7
IO_L3N_T0_DQS_36NC	F8
IO_L3P_T0_DQS_36NC	F9
IO_L2N_T0_36NC	G8
IO_L2P_T0_36NC	G9
IO_L1N_T0_36NC	H8
IO_L1P_T0_36NC	H9

FPGA1
S7_50/75/100_FGG484

FPGA	
F17	IO_L1P_T0_AD9P_15
F18	IO_L1N_T0_AD9N_15
H17	IO_L2P_T0_AD8P_15
G17	IO_L2N_T0_AD8N_15
J17	IO_L3P_T0_DQS_AD8P_15
H18	IO_L3N_T0_DQS_AD8N_15
H16	IO_L4P_T0_15
G16	IO_L4N_T0_15
K16	IO_L5P_T0_AD9P_15
J16	IO_L5N_T0_AD9N_15
K15	IO_L6P_T0_15
J15	IO_L6N_T0_VREF_15
B21	IO_L7P_T1_AD2P_15
B22	IO_L7N_T1_AD2N_15
B20	IO_L8P_T1_AD10P_15
C20	IO_L8N_T1_AD10N_15
D21	IO_L9P_T1_DQS_AD3P_15
C22	IO_L9N_T1_DQS_AD3N_15
E22	IO_L10P_T1_AD10P_15
D22	IO_L10N_T1_AD10N_15
F21	IO_L11P_T1_SRCC_15
F22	IO_L11N_T1_SRCC_15
F19	IO_L12P_T1_MRCC_15
F20	IO_L12N_T1_MRCC_15
M15	IO_L13P_T2_MRCC_15
L15	IO_L13N_T2_MRCC_15
M17	IO_L14P_T2_SRCC_15
M18	IO_L14N_T2_SRCC_15
L16	IO_L15P_T2_DQS_15
K17	IO_L15N_T2_DQS_15
K18	IO_L16P_T2_15
K19	IO_L16N_T2_15
J19	IO_L17P_T2_15
J20	IO_L17N_T2_15
L18	IO_L18P_T2_15
L19	IO_L18N_T2_15
H19	IO_L19P_T3_15
G20	IO_L19N_T3_VREF_15
G21	IO_L20P_T3_15
G22	IO_L20N_T3_15
H20	IO_L21P_T3_DQS_15
H21	IO_L21N_T3_DQS_15
L22	IO_L22P_T3_15
K22	IO_L22N_T3_15
J21	IO_L23P_T3_15
J22	IO_L23N_T3_15
L20	IO_L24P_T3_RS1_15
L21	IO_L24N_T3_RS0_15

IO_25_15	M16
IO_0_15	A21
VCCO_15	K20
VCCO_15	G18
VCCO_15	E21

S7_50/75/100_FGG484



S7_50/75/100_FGG484

FPGA	
G11	IO_L1P_T0_16
F11	IO_L1N_T0_16
G10	IO_L2P_T0_16
F10	IO_L2N_T0_16
E11	IO_L3P_T0_DQS_16
D11	IO_L3N_T0_DQS_16
F13	IO_L4P_T0_16
F14	IO_L4N_T0_16
F12	IO_L5P_T0_16
E12	IO_L5N_T0_16
G14	IO_L6P_T0_16
F15	IO_L6N_T0_VREF_16
D13	IO_L7P_T1_16
C13	IO_L7N_T1_16
A11	IO_L8P_T1_16
A12	IO_L8N_T1_16
B13	IO_L9P_T1_DQS_16
A13	IO_L9N_T1_DQS_16
C10	IO_L10P_T1_16
C11	IO_L10N_T1_16
D14	IO_L11P_T1_SRCC_16
D15	IO_L11N_T1_SRCC_16
D12	IO_L12P_T1_MRCC_16
C12	IO_L12N_T1_MRCC_16
C15	IO_L13P_T2_MRCC_16
C16	IO_L13N_T2_MRCC_16
B15	IO_L14P_T2_SRCC_16
B16	IO_L14N_T2_SRCC_16
D16	IO_L15P_T2_DQS_16
C17	IO_L15N_T2_DQS_16
E15	IO_L16P_T2_16
E16	IO_L16N_T2_16
B14	IO_L17P_T2_16
A14	IO_L17N_T2_16
A16	IO_L18P_T2_16
A17	IO_L18N_T2_16
D18	IO_L19P_T3_16
C18	IO_L19N_T3_VREF_16
C19	IO_L20P_T3_16
B19	IO_L20N_T3_16
A18	IO_L21P_T3_DQS_16
A19	IO_L21N_T3_DQS_16
E17	IO_L22P_T3_16
E18	IO_L22N_T3_16
B20	IO_L23P_T3_16
A20	IO_L23N_T3_16
E19	IO_L24P_T3_16
D19	IO_L24N_T3_16

IO_25_16	G15
IO_0_16	G13
VCCO_16	B12
VCCO_16	B17
VCCO_16	E14

S7_50/75/100_FGG484



S7_50/75/100_FGG484

XCM026R2-SCH-C.pdf



DSN:		TITLE: Spartan-7 FGA484 FPGA Board (5V I/F)	
DOC. No:		XCM-026	
FILE: IOB_SchDoc		DATE: 2022/09/05 9:48:22	
Sheet: 4 / 4		C	