

FPGA

A1	GND	H11	V10
A8	GND	H13	V10
A15	GND	J10	V10
A22	GND	J12	V10
B4	GND	K13	V10
B11	GND	L10	V10
B18	GND	M13	V10
C7	GND	N10	V10
C14	GND	P11	V10
C21	GND	P13	V10
D3	GND	R10	V10
D10	GND	R12	V10
D17	GND	H9	V10
E6	GND	K9	V10
E13	GND	M9	V10
E20	GND	P9	V10
F2	GND	J14	V18
F9	GND	L14	V18
G5	GND	N14	V18
G12	GND	R14	V18
G19	GND	AB22	GND
H1	GND	AB15	GND
H8	GND	AB8	GND
H10	GND	AB1	GND
H12	GND	AA19	GND
H14	GND	AA12	GND
H15	GND	AA5	GND
H22	GND	Y16	GND
J4	GND	Y9	GND
J9	GND	Y2	GND
J11	GND	W20	GND
J13	GND	W13	GND
J18	GND	W6	GND
K7	GND	V17	GND
K10	GND	V10	GND
K14	GND	V3	GND
K21	GND	U21	GND
L3	GND	U14	GND
L9	GND	U7	GND
L13	GND	T18	GND
L17	GND	T4	GND
M6	GND	R22	GND
M10	GND	R15	GND
M14	GND	R13	GND
M20	GND	R11	GND
N2	GND	R9	GND
N9	GND	R8	GND
N13	GND	R1	GND
N16	GND	P19	GND
P5	GND	P14	GND
P10	GND		
P12	GND		

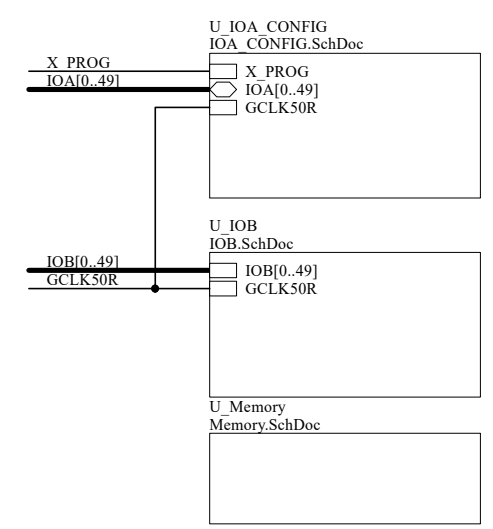
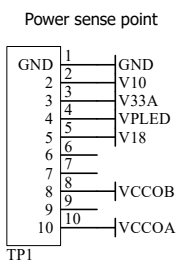
S7_50/75/100_FGG484

CNA

1	VIO(A)
2	VIO(A)
3	5V
4	5V
5	GND
6	GND
7	IOA0
8	IOA1
9	IOA2
10	IOA3
11	IOA4
12	IOA5
13	IOA6
14	IOA7
15	GND
16	GND
17	IOA8
18	IOA9
19	IOA10
20	IOA11
21	IOA12
22	IOA13
23	IOA14
24	IOA15
25	GND
26	GND
27	IOA16
28	IOA17
29	IOA18
30	IOA19
31	IOA20
32	IOA21
33	IOA22
34	IOA23
35	GND
36	GND
37	IOA24
38	IOA25
39	IOA26
40	IOA27
41	IOA28
42	IOA29
43	IOA30
44	IOA31
45	GND
46	GND
47	IOA32
48	IOA33
49	IOA34
50	IOA35
51	IOA36
52	IOA37
53	IOA38
54	IOA39
55	GND
56	GND
57	IOA40
58	IOA41
59	IOA42
60	IOA43
61	IOA44
62	IOA45
63	IOA46
64	IOA47
65	IOA48
66	IOA49

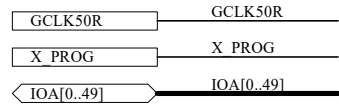
CNB

1	VIO(B)
2	VIO(B)
3	5V
4	5V
5	GND
6	GND
7	IOB0
8	IOB1
9	IOB2
10	IOB3
11	IOB4
12	IOB5
13	IOB6
14	IOB7
15	GND
16	GND
17	IOB8
18	IOB9
19	IOB10
20	IOB11
21	IOB12
22	IOB13
23	IOB14
24	IOB15
25	GND
26	GND
27	IOB16
28	IOB17
29	IOB18
30	IOB19
31	IOB20
32	IOB21
33	IOB22
34	IOB23
35	GND
36	GND
37	IOB24
38	IOB25
39	IOB26
40	IOB27
41	IOB28
42	IOB29
43	IOB30
44	IOB31
45	GND
46	GND
47	IOB32
48	IOB33
49	IOB34
50	IOB35
51	IOB36
52	IOB37
53	IOB38
54	IOB39
55	GND
56	GND
57	IOB40
58	IOB41
59	IOB42
60	IOB43
61	IOB44
62	IOB45
63	IOB46
64	IOB47
65	IOB48
66	IOB49



DSN:	TITLE: Spartan-7 FGA484 FPGA Board
DOC. No:	XCM-025
FILE: XCM025.SchDoc	DATE: 2018/08/20 13:49:03
Sheet: 1 / 4	

XCM025R1-SCH-B1.pdf



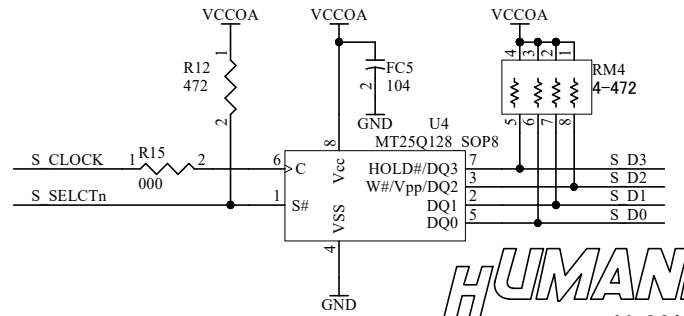
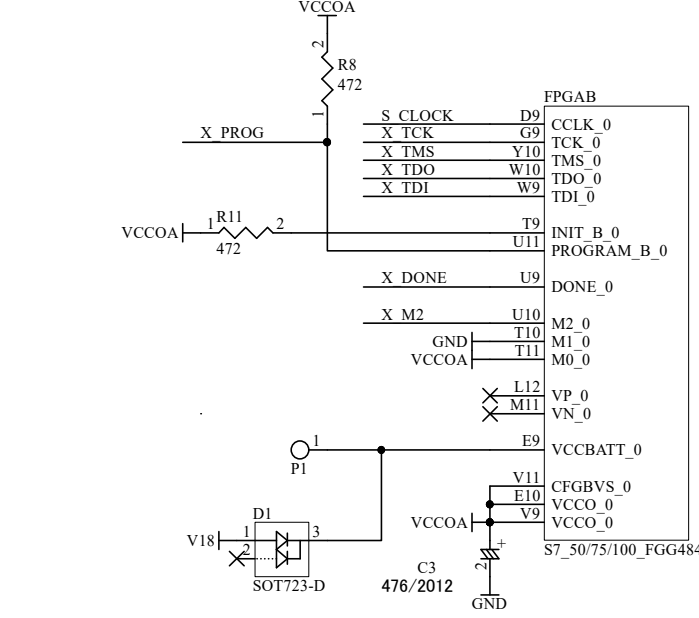
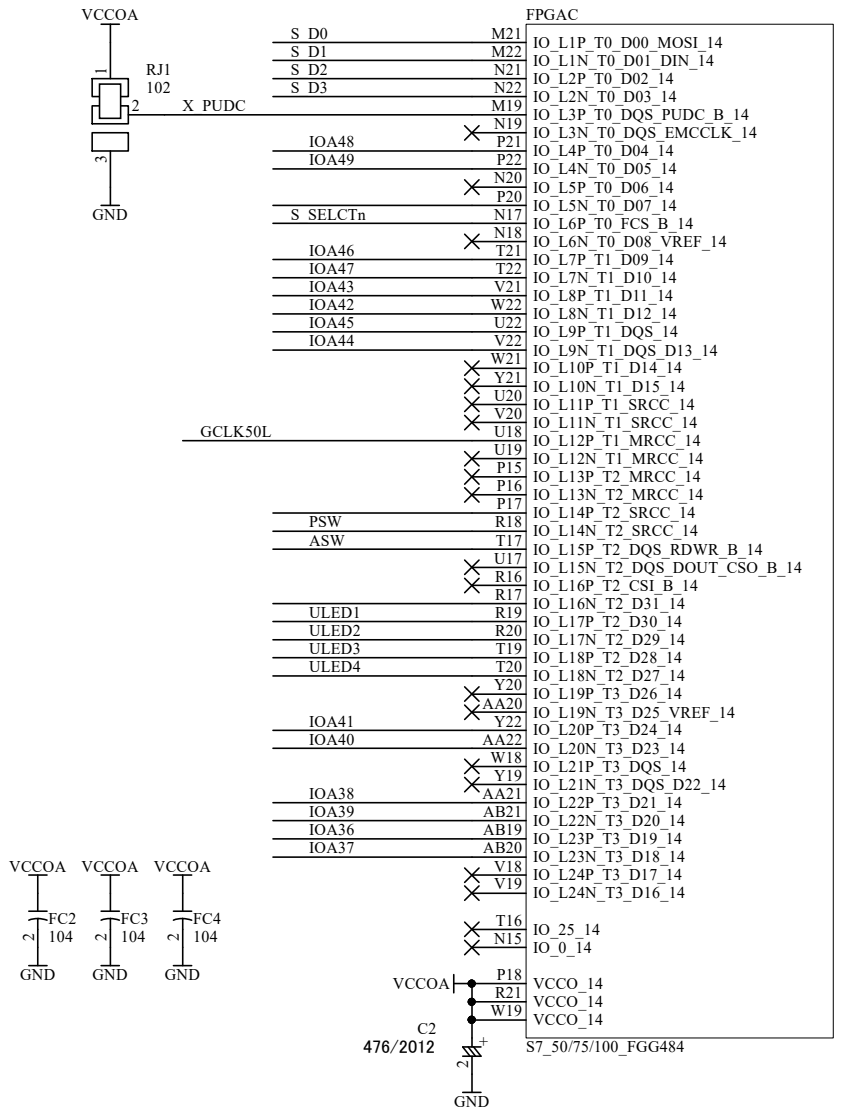
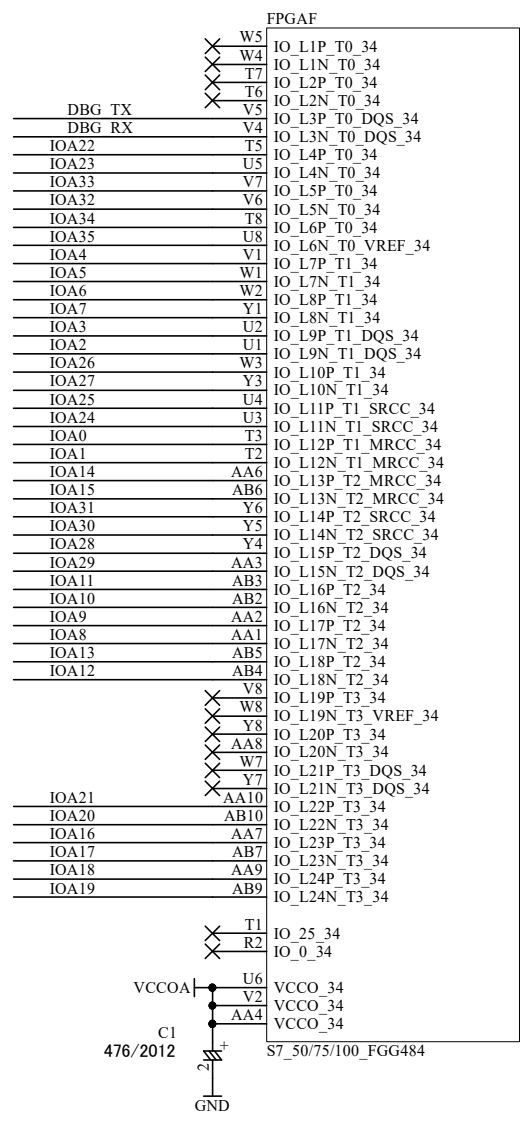
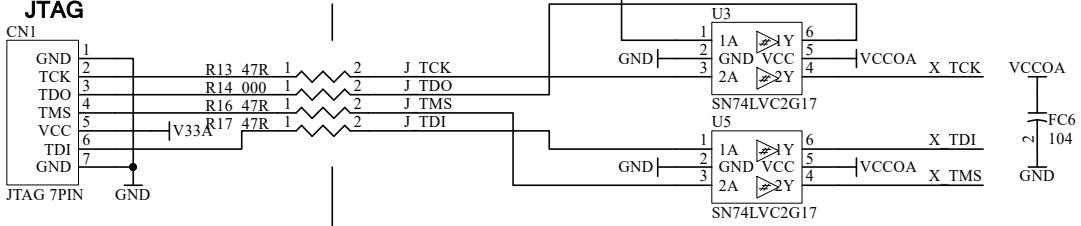
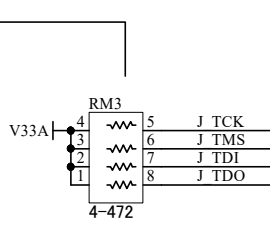
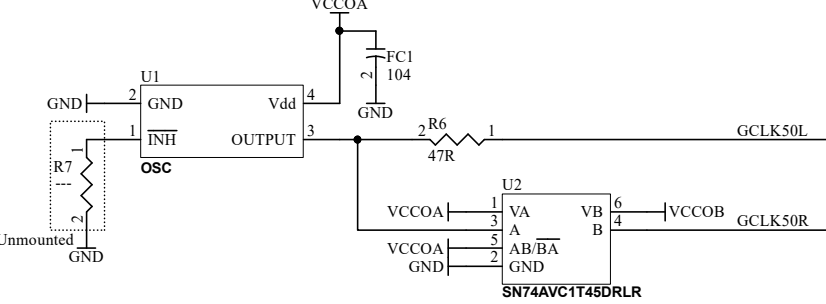
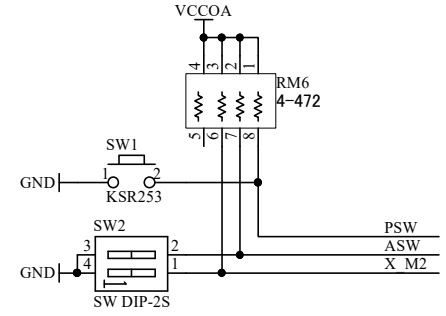
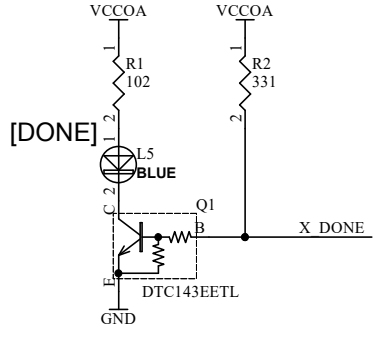
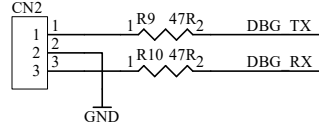
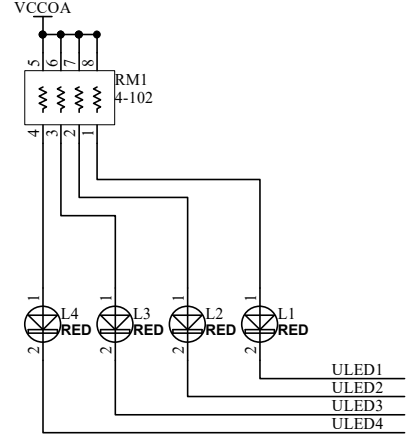
A

B

C

Text

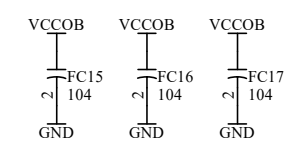
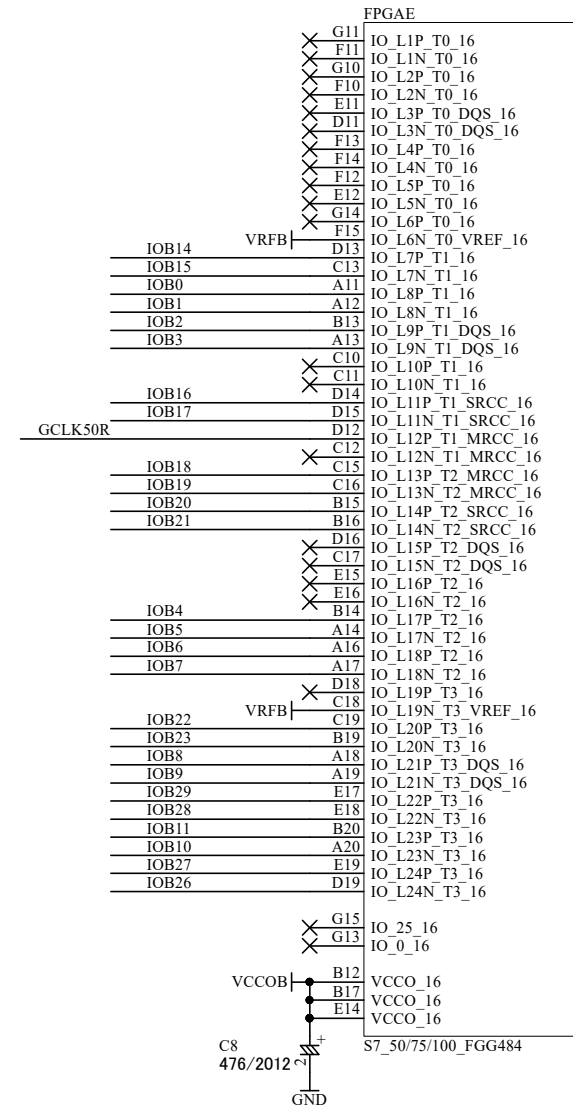
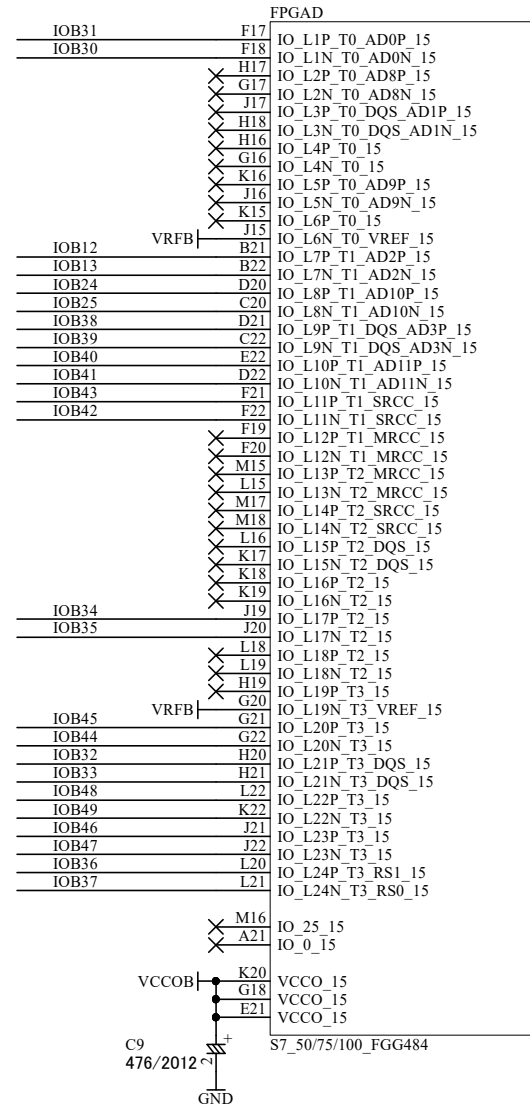
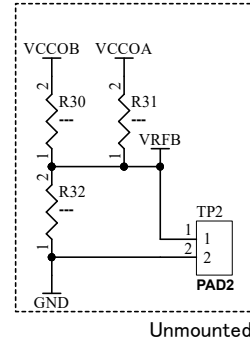
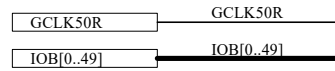
D



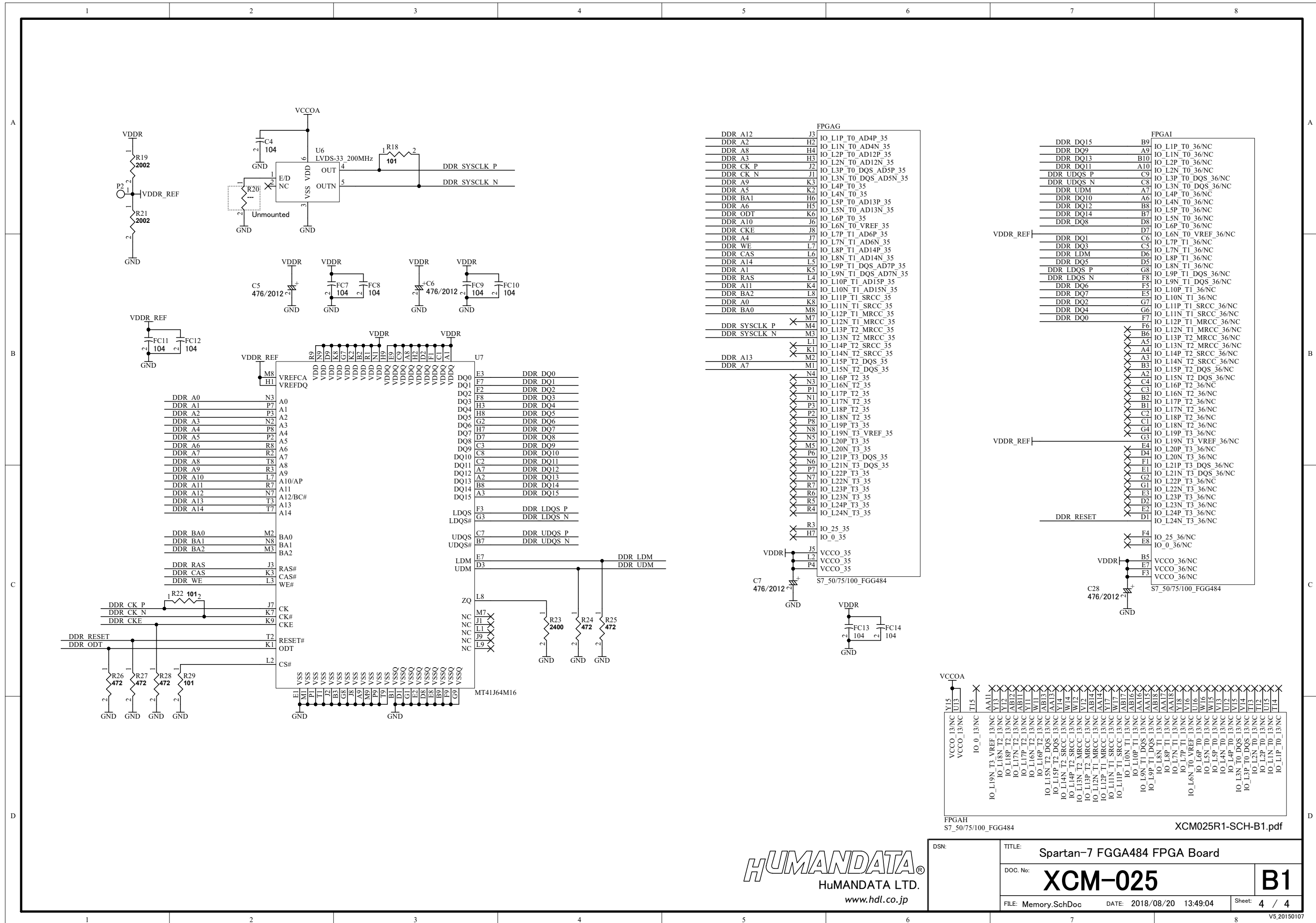
XCM025R1-SCH-B1.pdf



DSN:	TITLE: Spartan-7 FGA484 FPGA Board
DOC. No:	XCM-025
FILE: IOA_CONFIG.SchDoc	DATE: 2018/08/20 13:49:04
Sheet:	2 / 4



DSN:	TITLE: Spartan-7 FGA484 FPGA Board
DOC. No:	XCM-025
FILE: IOB.SchDoc	DATE: 2018/08/20 13:49:04
Sheet:	3 / 4



FPGA	
DDR A12	J3
DDR A2	H2
DDR A8	H4
DDR A3	H3
DDR CK P	J2
DDR CK N	J1
DDR A9	K3
DDR A5	K2
DDR BA1	H6
DDR A6	H5
DDR ODT	K6
DDR A10	J6
DDR CKE	J8
DDR A4	J7
DDR WE	L7
DDR CAS	L6
DDR A14	L5
DDR A1	K5
DDR RAS	L4
DDR A11	K4
DDR BA2	L8
DDR A0	K8
DDR BA0	M8
DDR SYSCLK P	M7
DDR SYSCLK N	M3
DDR A13	M2
DDR A7	M1

FPGA	
DDR DQ15	B9
DDR DQ9	A9
DDR DQ13	B10
DDR DQ11	A10
DDR UDQS P	C9
DDR UDQS N	C8
DDR UDM	A7
DDR DQ10	A6
DDR DQ12	B8
DDR DQ14	B7
DDR DQ8	D8
DDR DQ1	D7
DDR DQ3	C5
DDR LDM	D6
DDR DQ5	D5
DDR LDQS P	G8
DDR LDQS N	F8
DDR DQ6	F5
DDR DQ7	E5
DDR DQ2	G7
DDR DQ4	G6
DDR DQ0	F7

IO_L1P_T0_AD4P_35	J3
IO_L1N_T0_AD4N_35	H2
IO_L2P_T0_AD12P_35	H4
IO_L2N_T0_AD12N_35	H3
IO_L3P_T0_DQS_AD5P_35	J2
IO_L3N_T0_DQS_AD5N_35	J1
IO_L4P_T0_35	K3
IO_L4N_T0_35	K2
IO_L5P_T0_AD13P_35	H6
IO_L5N_T0_AD13N_35	H5
IO_L6P_T0_35	K6
IO_L6N_T0_VREF_35	J6
IO_L7P_T1_AD6P_35	J7
IO_L7N_T1_AD6N_35	L7
IO_L8P_T1_AD14P_35	L6
IO_L8N_T1_AD14N_35	L5
IO_L9P_T1_DQS_AD7P_35	K5
IO_L9N_T1_DQS_AD7N_35	L4
IO_L10P_T1_AD15P_35	K4
IO_L10N_T1_AD15N_35	K4
IO_L11P_T1_SRCC_35	L8
IO_L11N_T1_SRCC_35	K8
IO_L12P_T1_MRCC_35	M8
IO_L12N_T1_MRCC_35	M7
IO_L13P_T2_MRCC_35	M4
IO_L13N_T2_MRCC_35	M3
IO_L14P_T2_SRCC_35	L1
IO_L14N_T2_SRCC_35	K1
IO_L15P_T2_DQS_35	M2
IO_L15N_T2_DQS_35	M1
IO_L16P_T2_35	N4
IO_L16N_T2_35	N3
IO_L17P_T2_35	P1
IO_L17N_T2_35	N1
IO_L18P_T2_35	P3
IO_L18N_T2_35	P2
IO_L19P_T3_35	P8
IO_L19N_T3_VREF_35	N8
IO_L20P_T3_35	N5
IO_L20N_T3_35	M5
IO_L21P_T3_DQS_35	P6
IO_L21N_T3_DQS_35	N6
IO_L22P_T3_35	P7
IO_L22N_T3_35	N7
IO_L23P_T3_35	R7
IO_L23N_T3_35	R6
IO_L24P_T3_35	R5
IO_L24N_T3_35	R4
IO_25_35	R3
IO_0_35	H7

FPGA	
VCCO_13/NC	Y15
VCCO_13/NC	U13
IO_0_13/NC	T15
IO_L19N_T3_VREF_13/NC	AA11
IO_L18N_T2_13/NC	Y13
IO_L18P_T2_13/NC	Y12
IO_L17N_T2_13/NC	AB12
IO_L17P_T2_13/NC	AB11
IO_L16N_T2_13/NC	Y11
IO_L16P_T2_13/NC	W11
IO_L15N_T2_DQS_13/NC	AB13
IO_L15P_T2_DQS_13/NC	AA13
IO_L14N_T2_SRCC_13/NC	W14
IO_L14P_T2_SRCC_13/NC	W13
IO_L13N_T2_MRCC_13/NC	W12
IO_L13P_T2_MRCC_13/NC	W11
IO_L12N_T1_MRCC_13/NC	AA14
IO_L12P_T1_MRCC_13/NC	AA14
IO_L11N_T1_SRCC_13/NC	W17
IO_L11P_T1_SRCC_13/NC	W17
IO_L10N_T1_13/NC	AB17
IO_L10P_T1_13/NC	AA16
IO_L9N_T1_DQS_13/NC	AA15
IO_L9P_T1_DQS_13/NC	AA15
IO_L8N_T1_13/NC	AB18
IO_L8P_T1_13/NC	AA18
IO_L7N_T1_13/NC	Y18
IO_L7P_T1_13/NC	Y18
IO_L6N_T0_VREF_13/NC	U16
IO_L6P_T0_13/NC	W16
IO_L5N_T0_13/NC	W15
IO_L5P_T0_13/NC	W15
IO_L4N_T0_13/NC	U13
IO_L4P_T0_13/NC	U12
IO_L3N_T0_DQS_13/NC	U15
IO_L3P_T0_DQS_13/NC	U14
IO_L2N_T0_13/NC	T12
IO_L2P_T0_13/NC	T12
IO_L1N_T0_13/NC	U15
IO_L1P_T0_13/NC	T14

FPGA: S7_50/75/100_FGG484
 XCM025R1-SCH-B1.pdf



DSN:	TITLE: Spartan-7 FGGA484 FPGA Board
DOC. No:	XCM-025
FILE: Memory.SchDoc	DATE: 2018/08/20 13:49:04
Sheet:	4 / 4