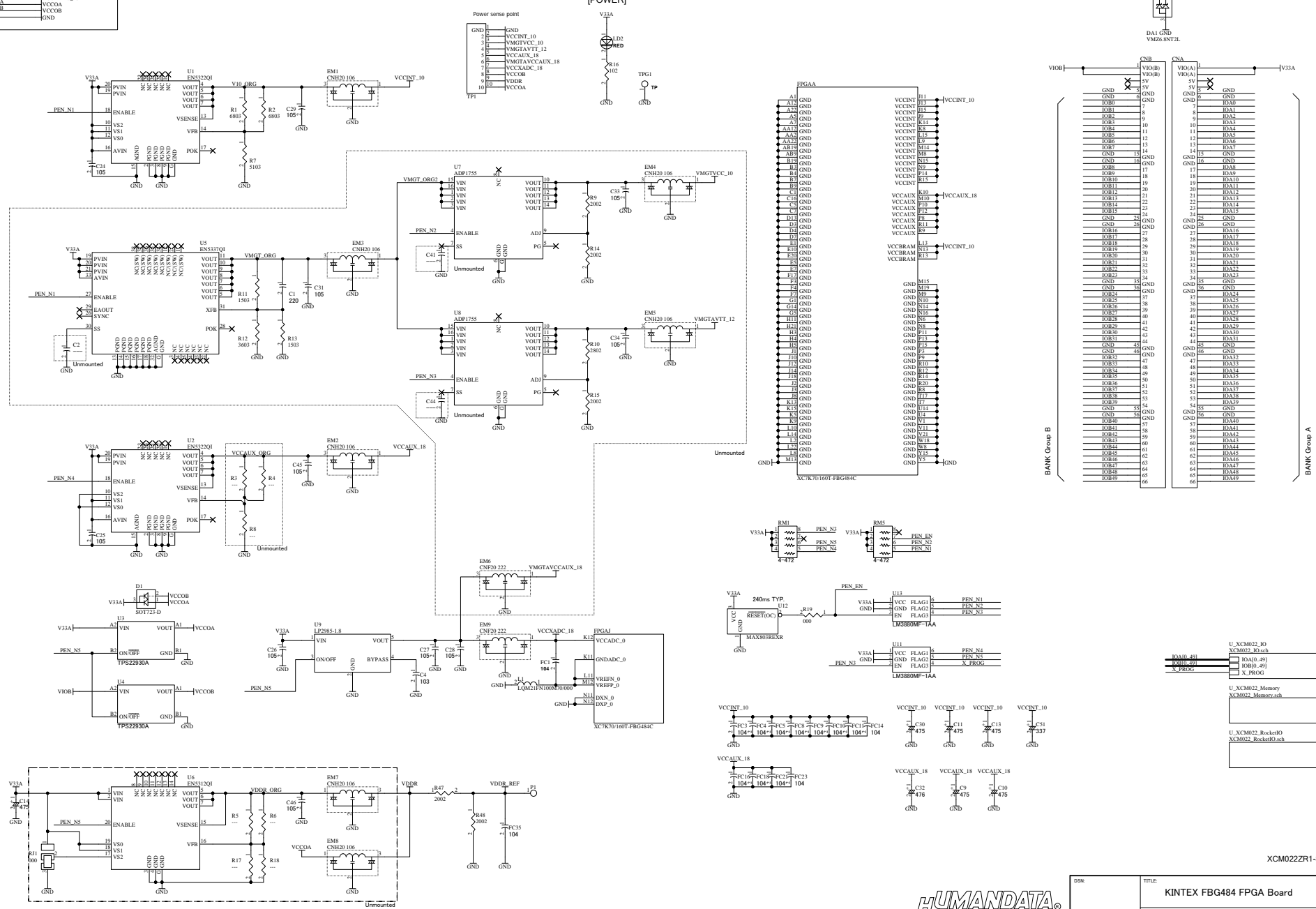


V33A	V33A
VIOB	VIOB
VCCINT_10	VCCINT_10
VMGTAVCC_10	VMGTAVCC_10
VMGTAVTT_12	VMGTAVTT_12
VMGTAVCCAUX_18	VMGTAVCCAUX_18
VCCAUX_18	VCCAUX_18
VCCXADC_18	VCCXADC_18
VCCOA	VCCOA
VCCOB	VCCOB
GND	GND

[POWER]



Bank	Pin	Signal
BANK Group B	0	GND
	1	IOA0
	2	IOA1
	3	IOA2
	4	IOA3
	5	IOA4
	6	IOA5
	7	IOA6
	8	IOA7
	9	IOA8
	10	IOA9
	11	IOA10
	12	IOA11
	13	IOA12
	14	IOA13
	15	IOA14
BANK Group A	16	GND
	17	IOA15
	18	IOA16
	19	IOA17
	20	IOA18
	21	IOA19
	22	IOA20
	23	IOA21
	24	IOA22
	25	IOA23
	26	IOA24
	27	IOA25
	28	IOA26
	29	IOA27
	30	IOA28
	31	IOA29
32	IOA30	
33	IOA31	
34	IOA32	
35	IOA33	
36	IOA34	
37	IOA35	
38	IOA36	
39	IOA37	
40	IOA38	
41	IOA39	
42	IOA40	
43	IOA41	
44	IOA42	
45	IOA43	
46	IOA44	
47	IOA45	
48	IOA46	
49	IOA47	
50	IOA48	
51	IOA49	
52	IOA50	
53	IOA51	
54	IOA52	
55	IOA53	
56	IOA54	
57	IOA55	
58	IOA56	
59	IOA57	
60	IOA58	
61	IOA59	
62	IOA60	
63	IOA61	
64	IOA62	
65	IOA63	
66	IOA64	

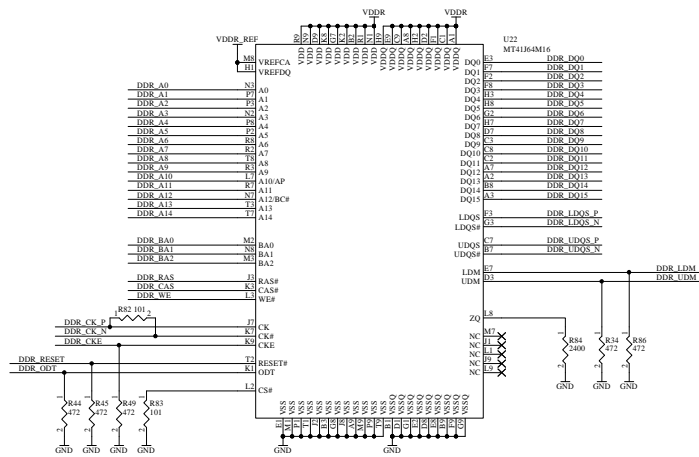
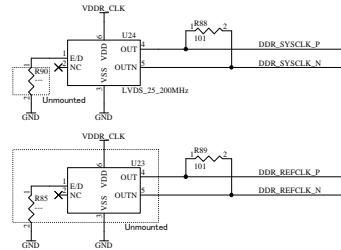
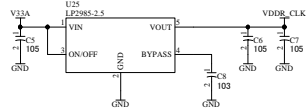
XCM022R1-1SCH-D1.pdf



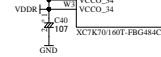
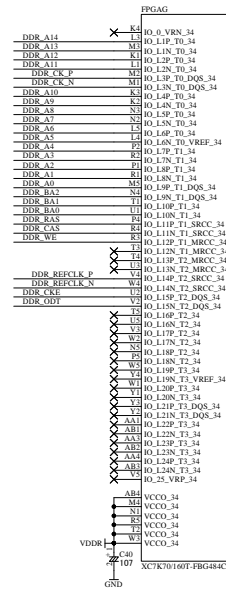
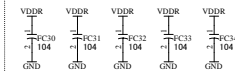
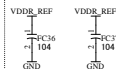
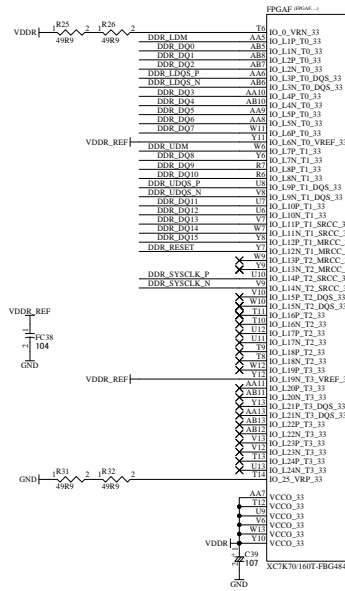
DSN	TITLE: KINTEX FBG484 FPGA Board
DOC. No:	XCM-022Z
FILE: XCM022Z.sch	DATE: 2015/07/14 9:52:28
Sheet: 1 / 4	D1



V33A	V33A
VFB	VFB
VCCINT_10	VCCINT_10
VCGTVCC_10	VCGTVCC_10
VMGTAVT1_12	VMGTAVT1_12
VMGTAVCCAX_18	VMGTAVCCAX_18
VCCAX_18	VCCAX_18
VCCAXC_18	VCCAXC_18
V33A	V33A
VCCOA	VCCOA
VCCOB	VCCOB
GND	GND



Unmounted

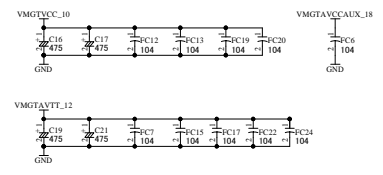
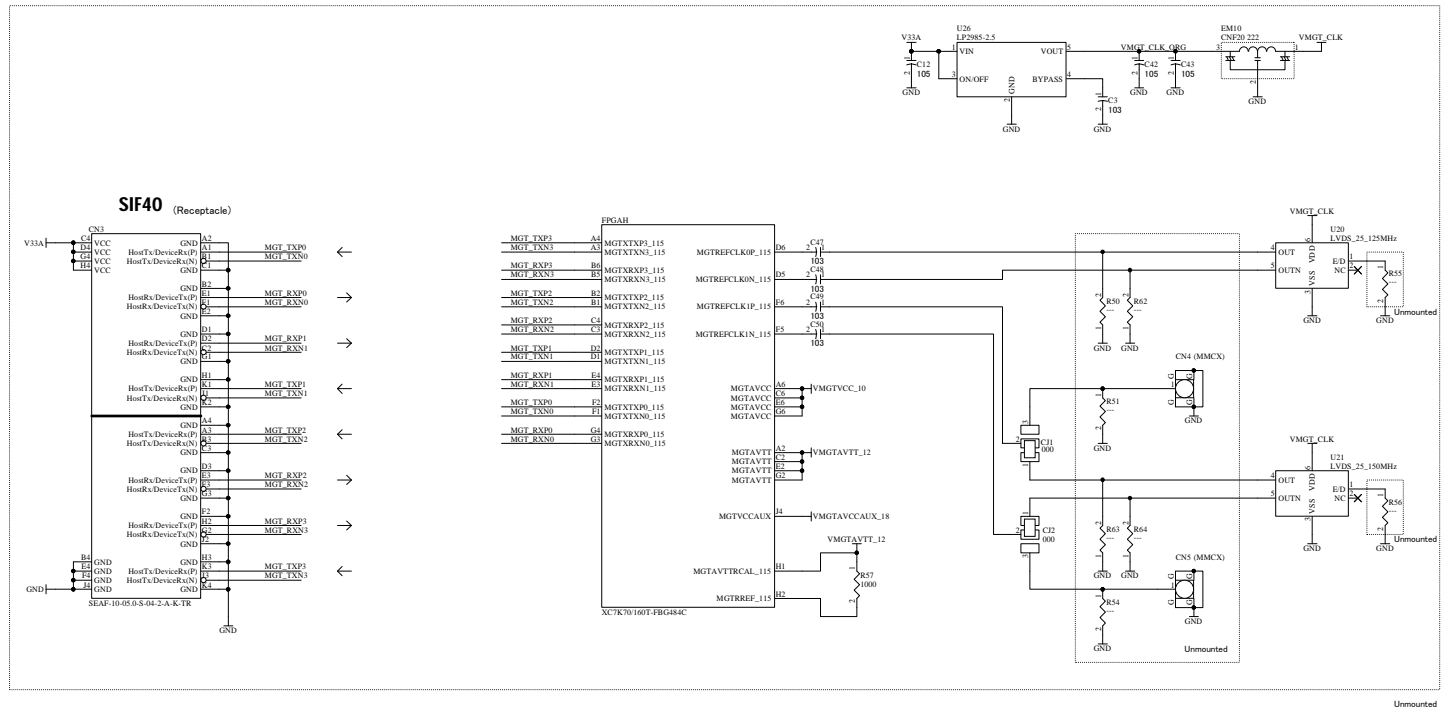


XCM022Zr1-SCH-D1.pdf



DSN	TITLE	KINTEX FBG484 FPGA Board
DOC No	<b>XCM-022Z</b>	<b>D1</b>
FILE	XCM022_Memory.sch	DATE: 2015/07/14 9:52:28 Sheet 3 / 4

V33A	V33A
VFB	VFB
VCCINT_10	VCCINT_10
VMGTAVCC_10	VMGTAVCC_10
VMGTAVTT_12	VMGTAVTT_12
VMGTAVCCAUX_18	VMGTAVCCAUX_18
VCCAUX_18	VCCAUX_18
VCCXADC_18	VCCXADC_18
V33A	V33A
VCCOA	VCCOA
VCCOB	VCCOB
GND	GND



XCM022ZR1-SCH-D1.pdf



DSN	TITLE	KINTEX FBG484 FPGA Board	
DOC No	<b>XCM-022Z</b>		<b>D1</b>
FILE: XCM022_RocketIO.sch DATE: 2015/07/14 9:52:28 Sheet 4 / 4			