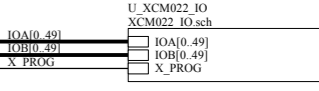
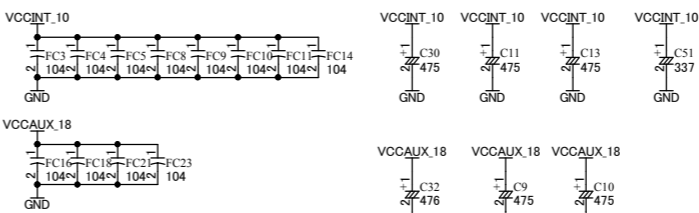
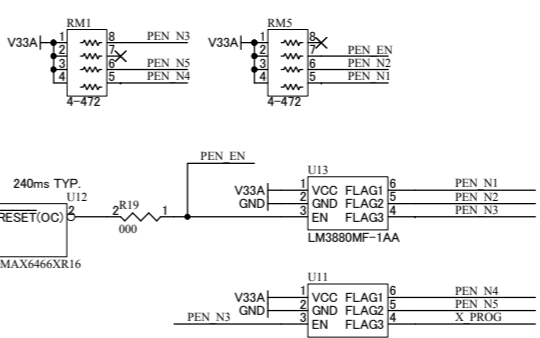
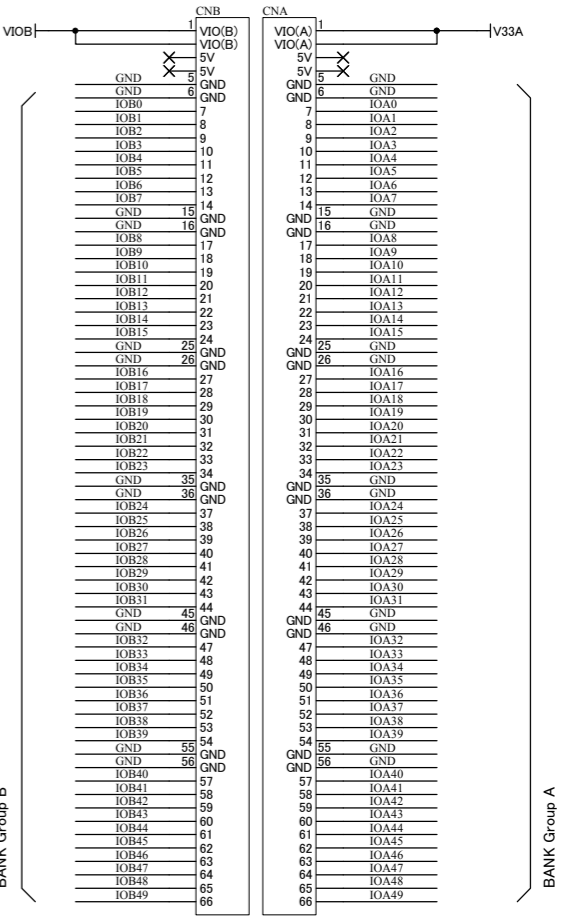
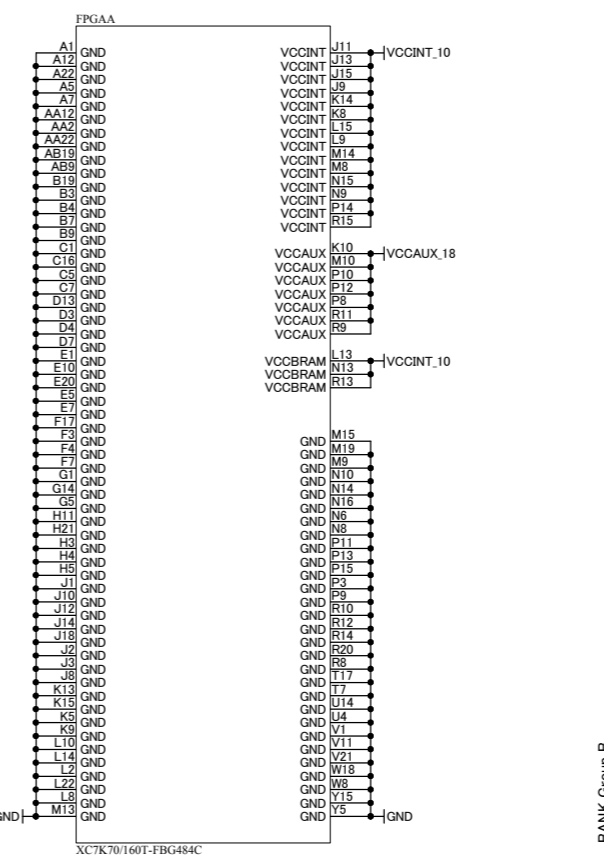
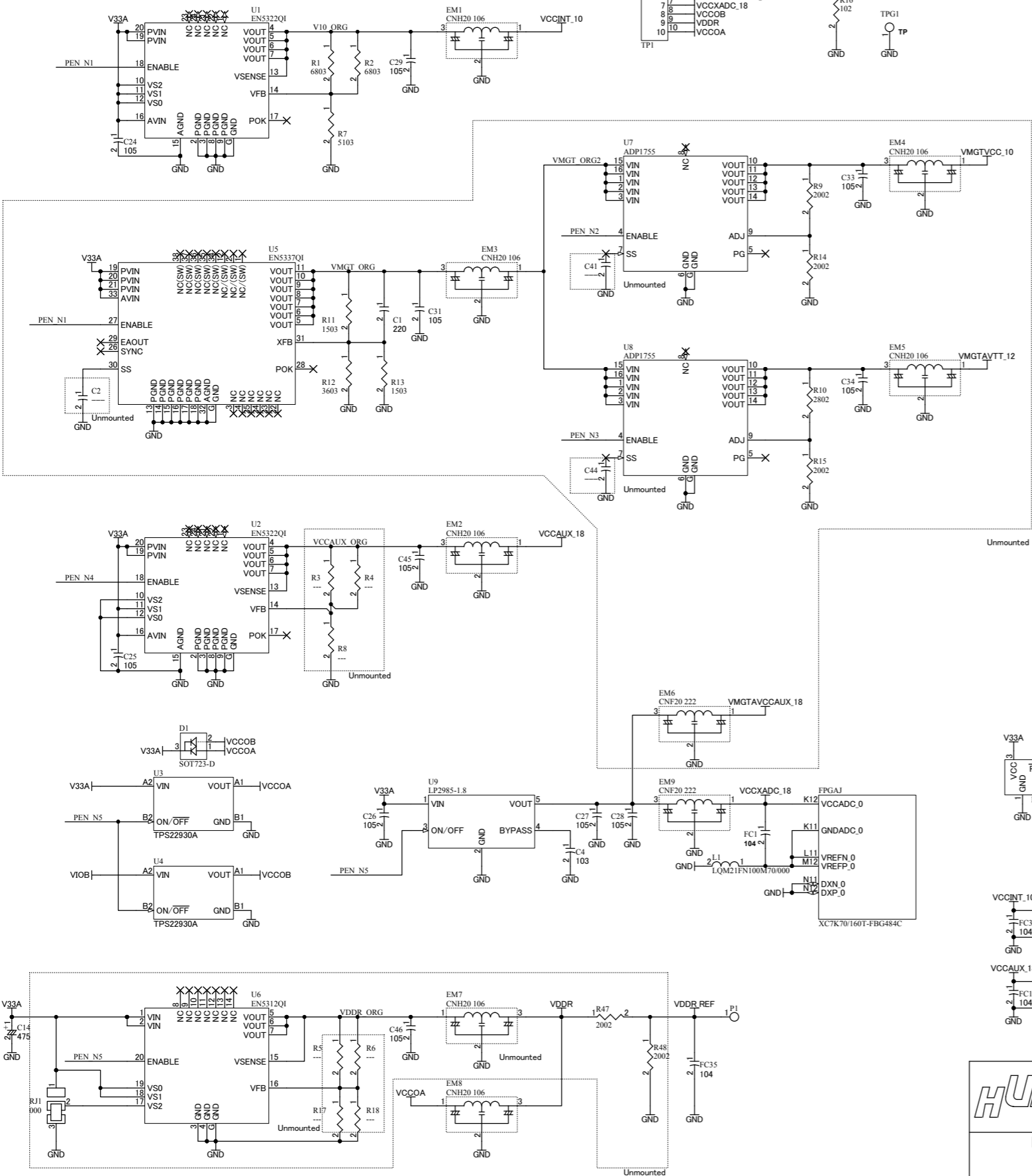
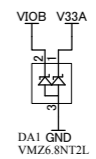


V33A	V33A
VIOB	VIOB
VCCINT_10	VCCINT_10
VMGTVCC_10	VMGTVCC_10
VMGTAVTT_12	VMGTAVTT_12
VMGTAVCCAUX_18	VMGTAVCCAUX_18
VCCAUX_18	VCCAUX_18
VCCXADC_18	VCCXADC_18
VCCOA	VCCOA
VCCOB	VCCOB
GND	GND

Power sense point

1	GND
2	VCCINT_10
3	VMGTVCC_10
4	VMGTAVTT_12
5	VCCAUX_18
6	VMGTAVCCAUX_18
7	VCCXADC_18
8	VCCOB
9	VDDR
10	VCCOA

[POWER]



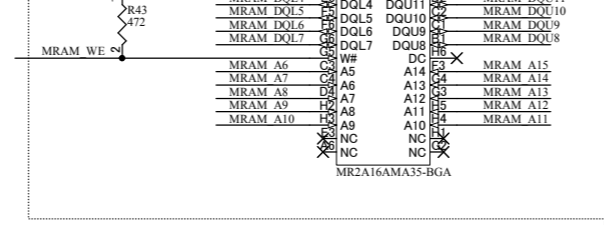
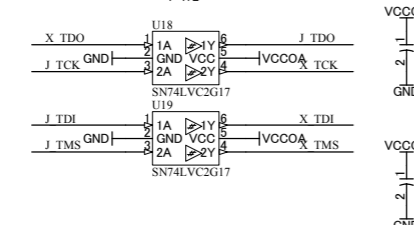
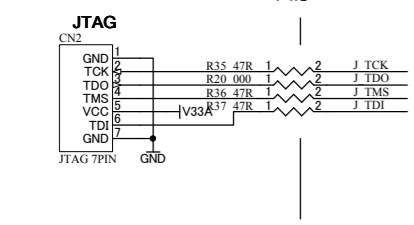
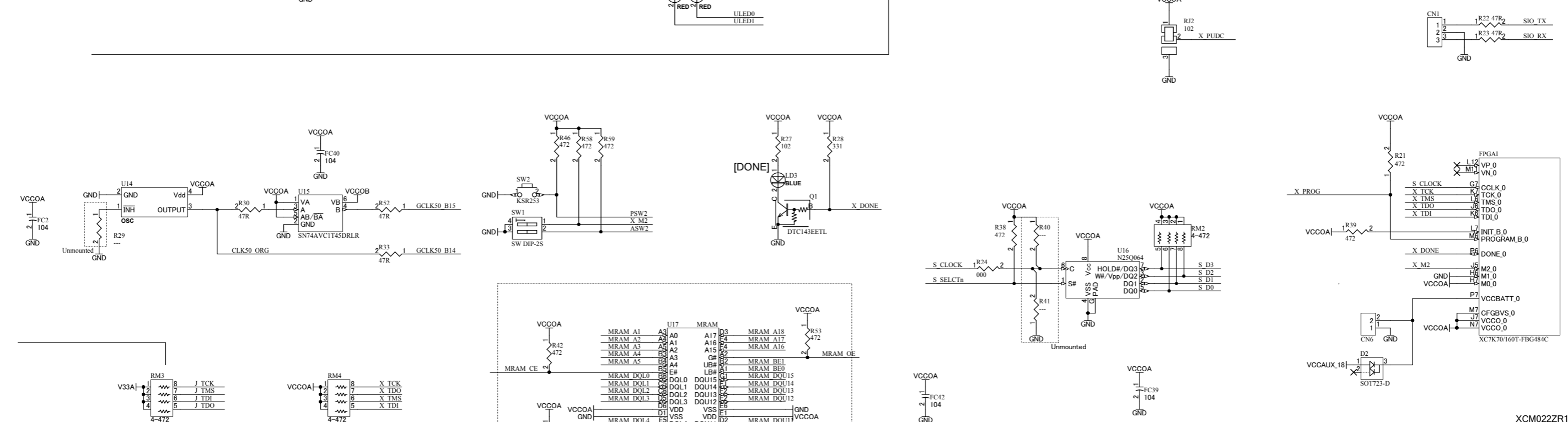
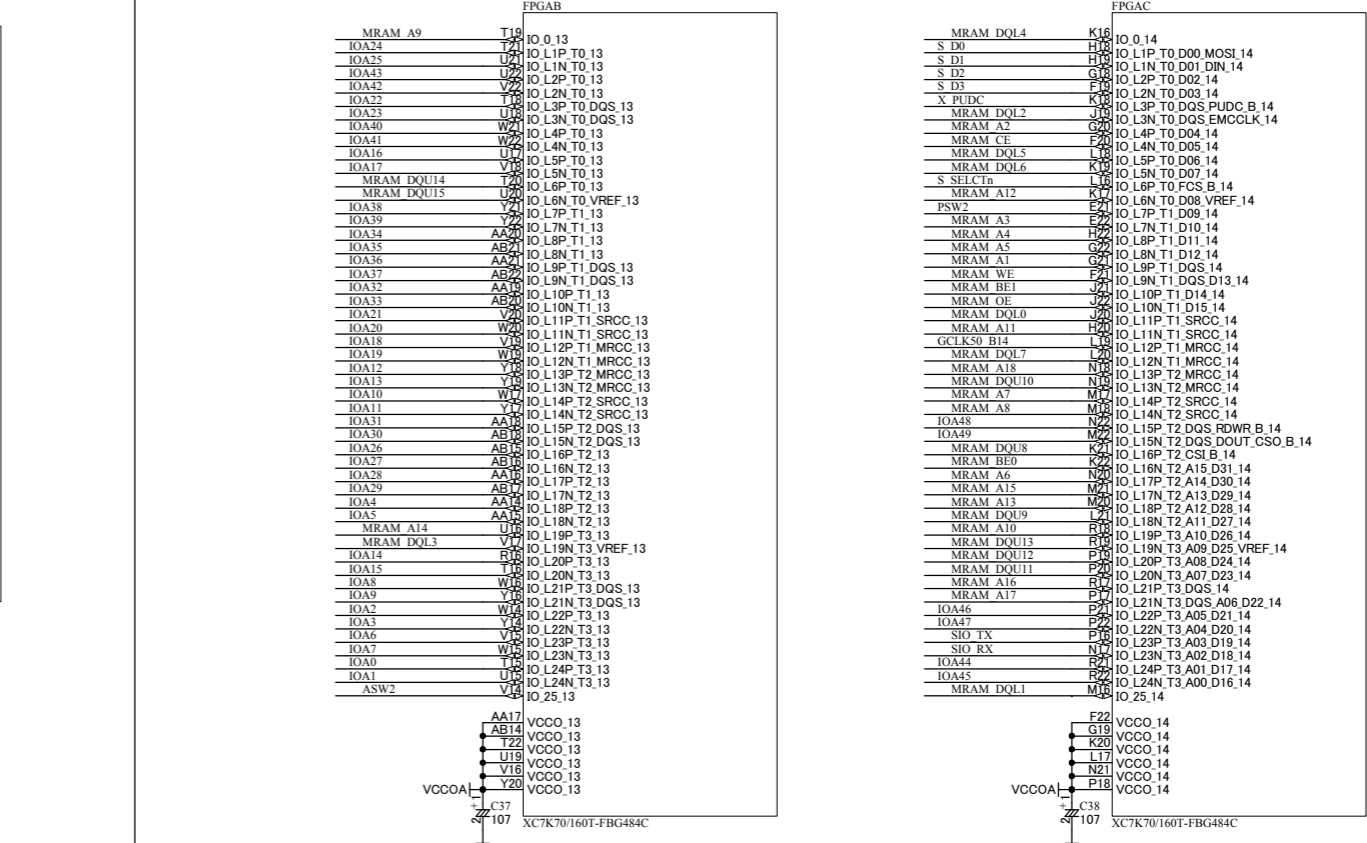
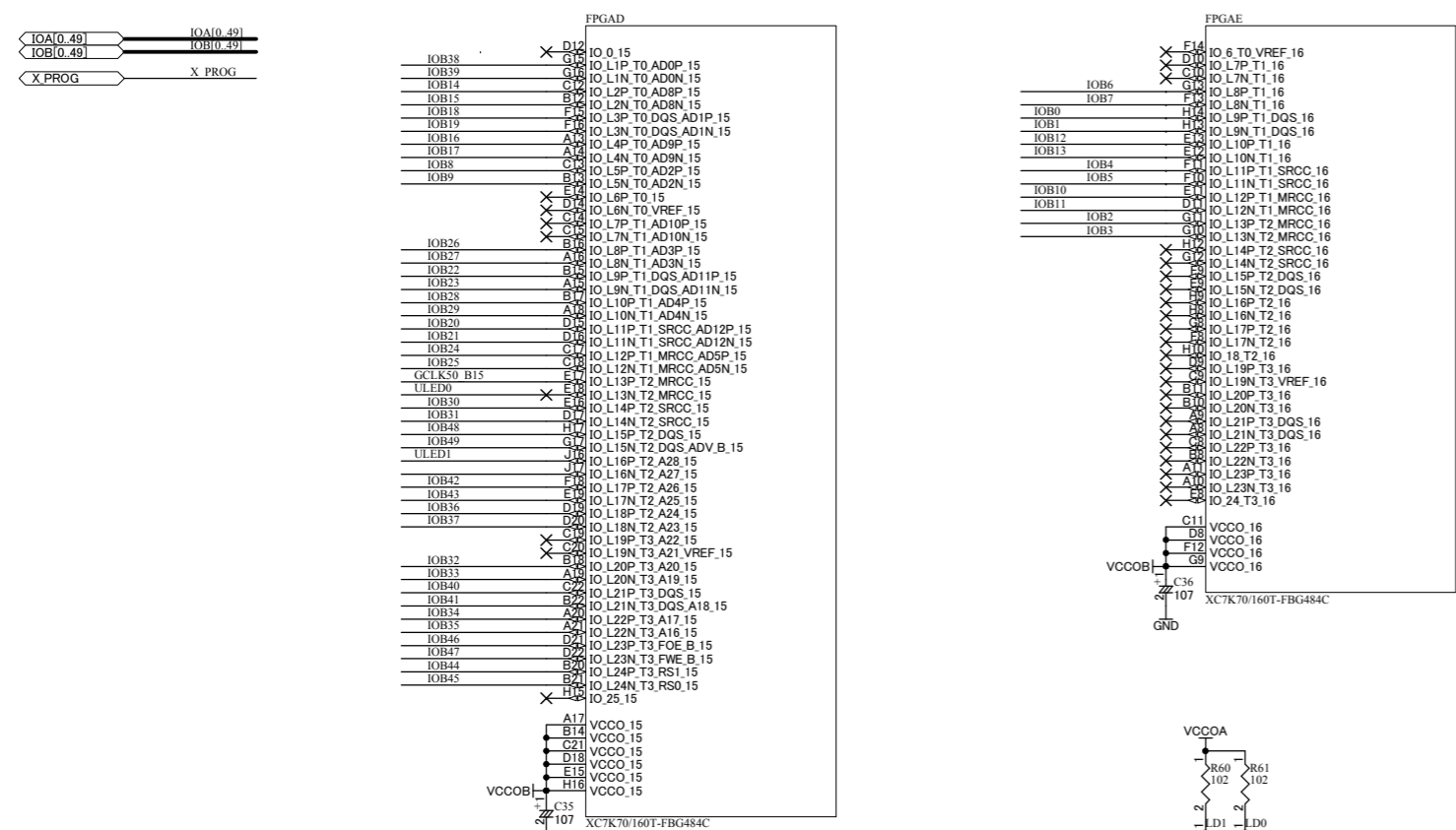
XCM022R1-SCH-D.pdf

		<b>KINTEX FBG484 FPGA Board</b>	
Date: 2013/10/11	14:03:15	File: XCM022D.sch	Sheet 1 of 4

V33A	V33A
VIOB	VIOB
VCCINT_10	VCCINT_10
VMGTVCC_10	VMGTVCC_10
VMGTAVTT_12	VMGTAVTT_12
VMGTAVCGAUX_18	VMGTAVCGAUX_18
VCCAUX_18	VCCAUX_18
VCCXADC_18	VCCXADC_18
VCCOA	VCCOA
VCCOB	VCCOB
GND	GND

### BANK Group B

### BANK Group A



HuMANDATA LTD.  
OSAKA JAPAN  
www.hdl.co.jp/en/(Global)  
www.hdl.co.jp/(Japan)

KINTEX FBG484 FPGA Board

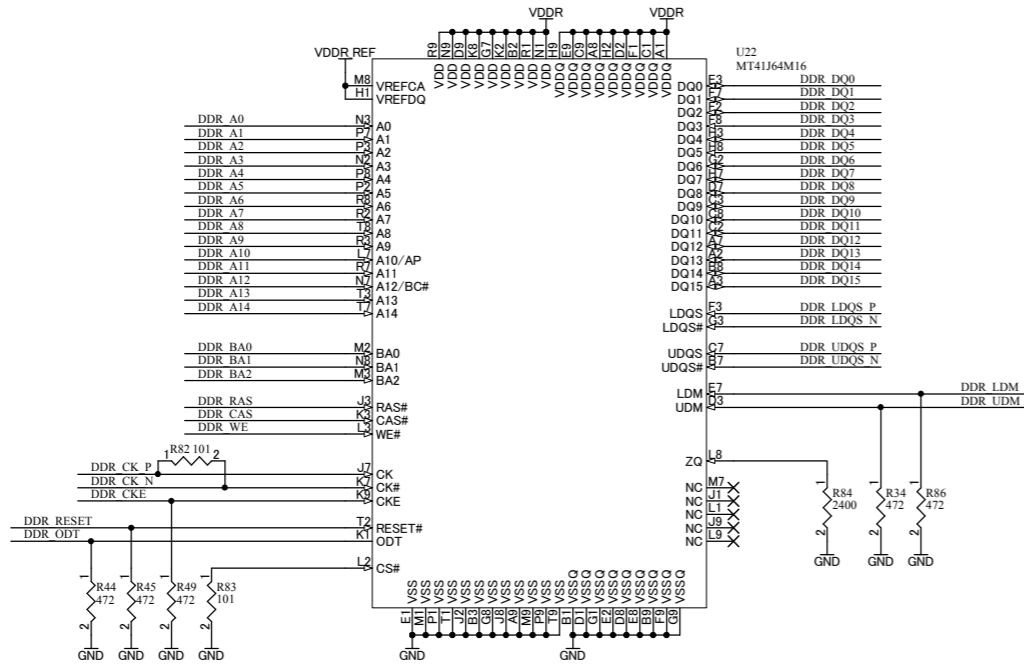
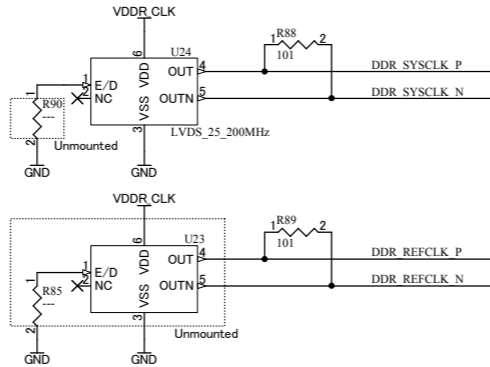
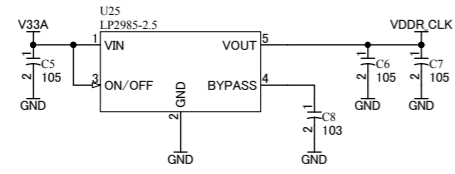
DOC. No. XCM-022Z

Date: 2013/10/11 14:03:15

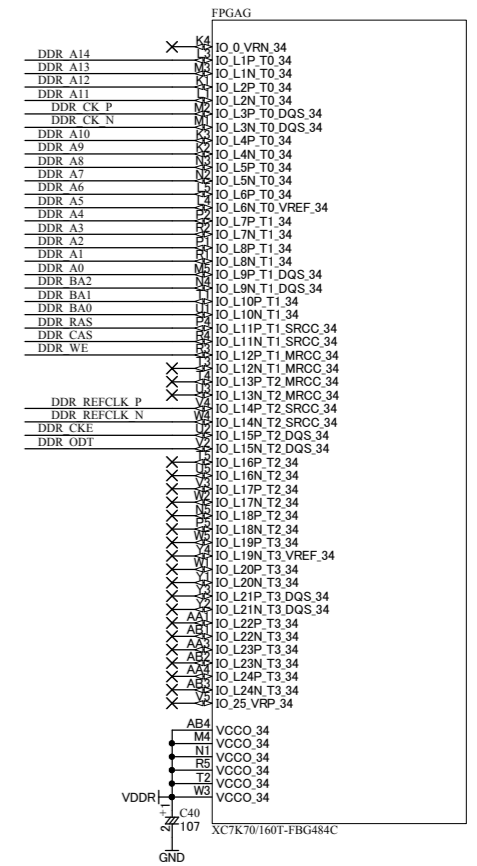
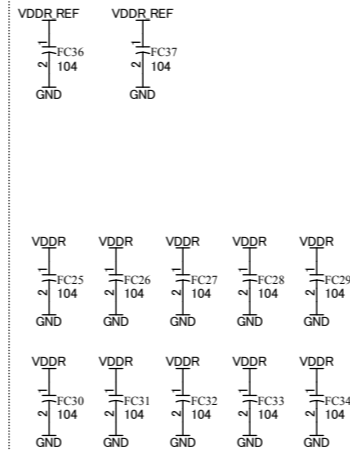
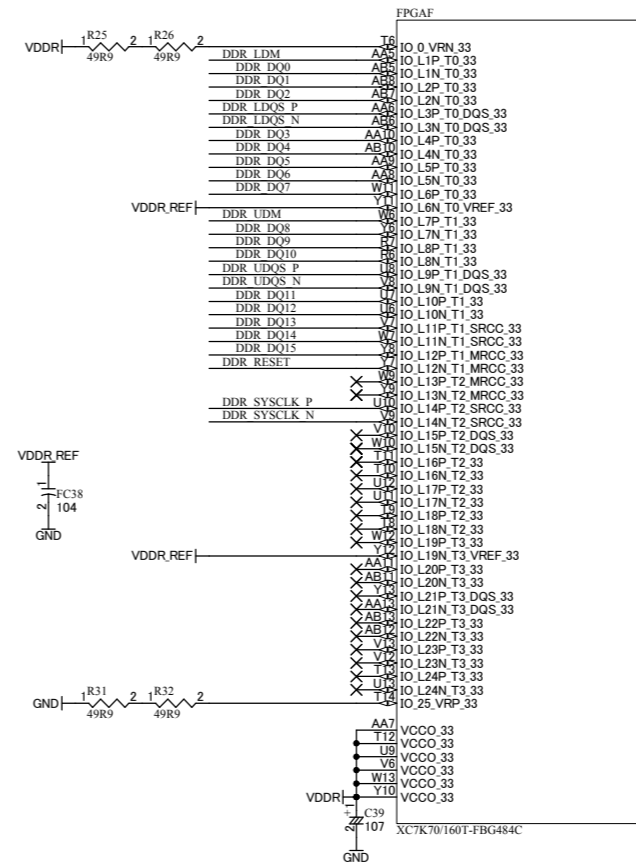
File: XCM022\_IO.sch

Sheet 2 of 4

V33A	V33A
VIOB	VIOB
VCCINT_10	VCCINT_10
VMGTAVCC_10	VMGTAVCC_10
VMGTAVTT_12	VMGTAVTT_12
VMGTAVCCAUX_18	VMGTAVCCAUX_18
VCCAUX_18	VCCAUX_18
VCCXADC_18	VCCXADC_18
VCCOA	VCCOA
VCCOB	VCCOB
GND	GND

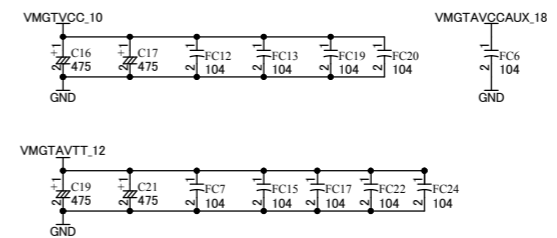
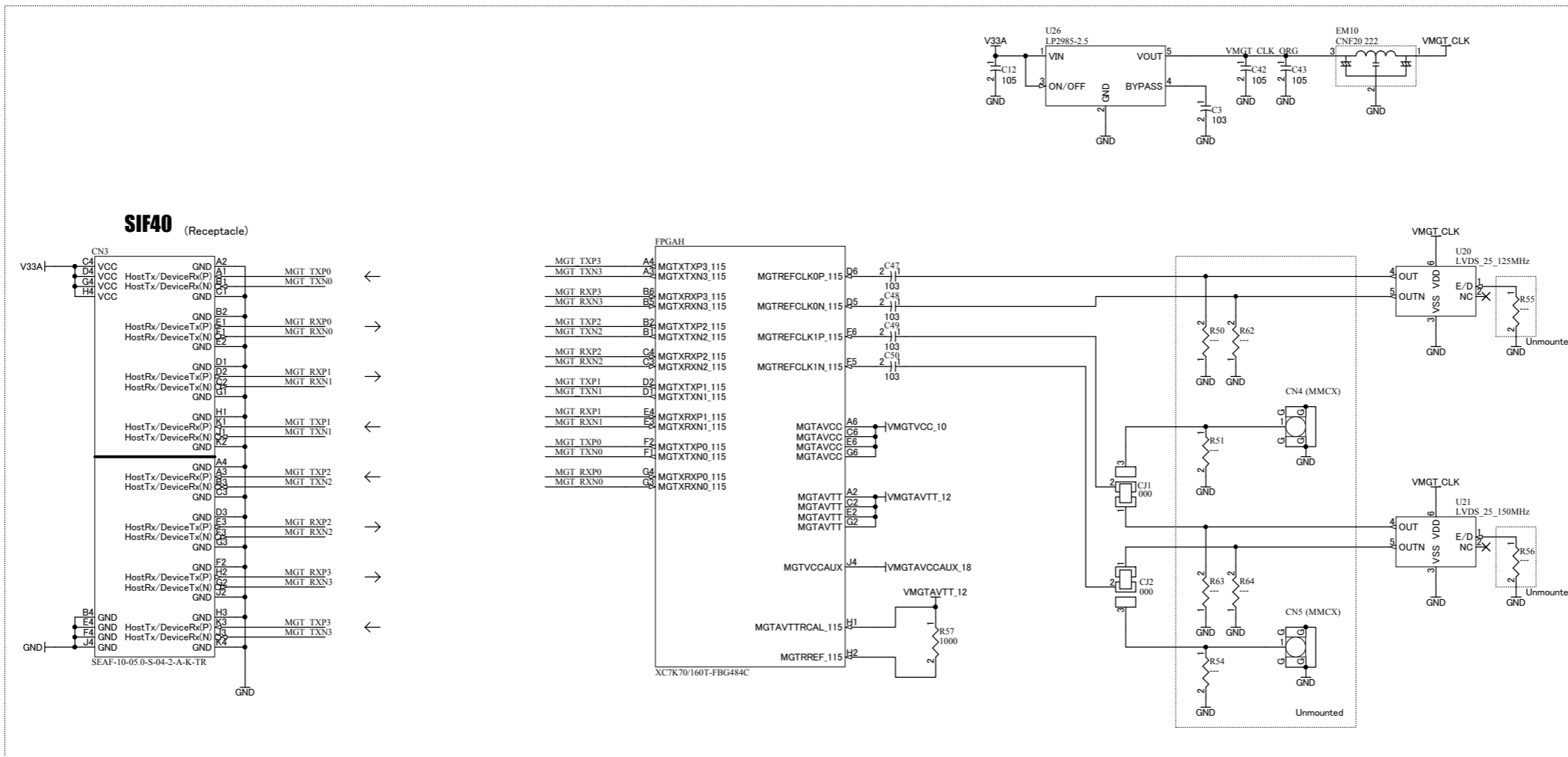


Unmounted



		<b>KINTEX FBG484 FPGA Board</b>						
				DOC. No.	XCM-022Z			
Date:	2013/10/11	14:03:16	File:	XCM022_Memory.sch	Sheet	3	of	4

V33A	V33A
VIOB	VIOB
VCCINT_10	VCCINT_10
VMGTAVCC_10	VMGTAVCC_10
VMGTAVTT_12	VMGTAVTT_12
VMGTAVCCAUX_18	VMGTAVCCAUX_18
VCCAUX_18	VCCAUX_18
VCCXADC_18	VCCXADC_18
VCCOA	VCCOA
VCCOB	VCCOB
GND	GND



		<b>KINTEX FBG484 FPGA Board</b>		
				HuMANDATA LTD. OSAKA JAPAN <a href="http://www.hdl.co.jp/en/(Global)">www.hdl.co.jp/en/(Global)</a> <a href="http://www.hdl.co.jp/(Japan)">www.hdl.co.jp/(Japan)</a>
Date: 2013/10/11	14:03:16	File: XCM022_RocketIO.sch	Sheet 4 of 4	<b>D</b>