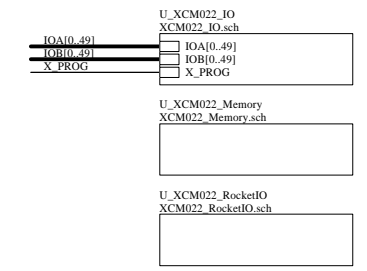
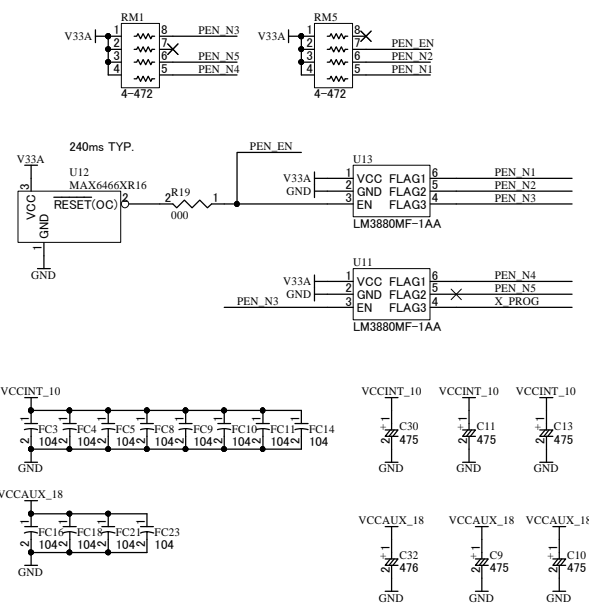
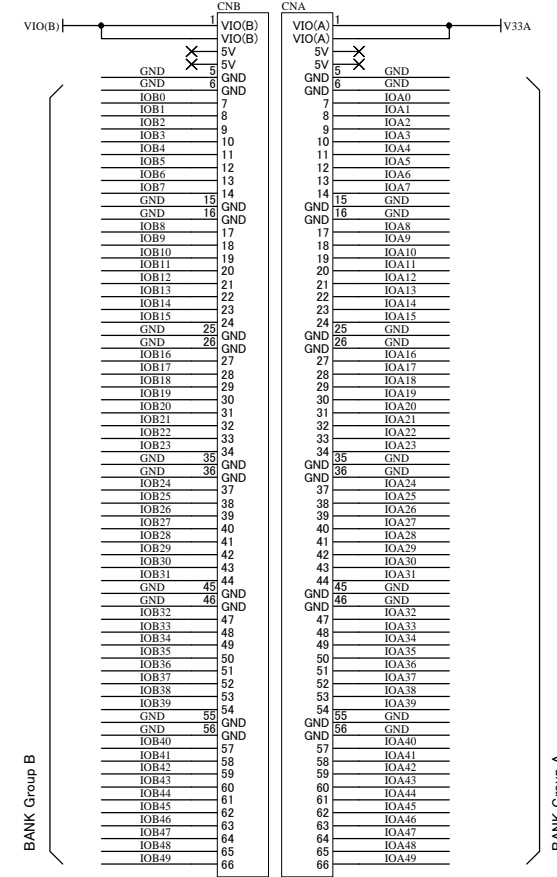
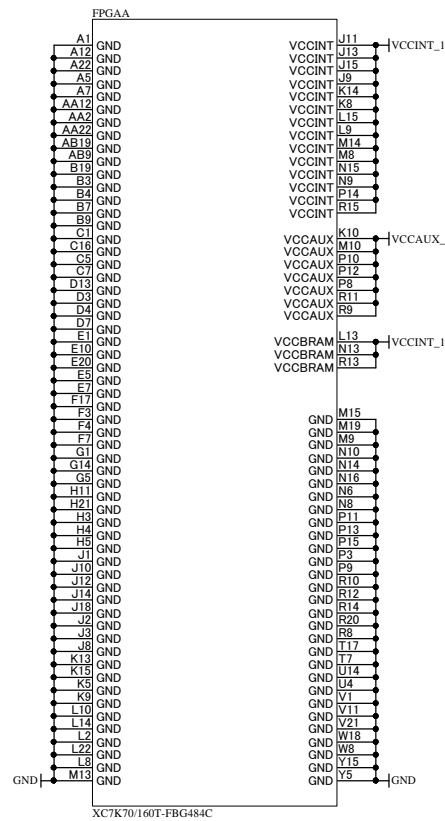
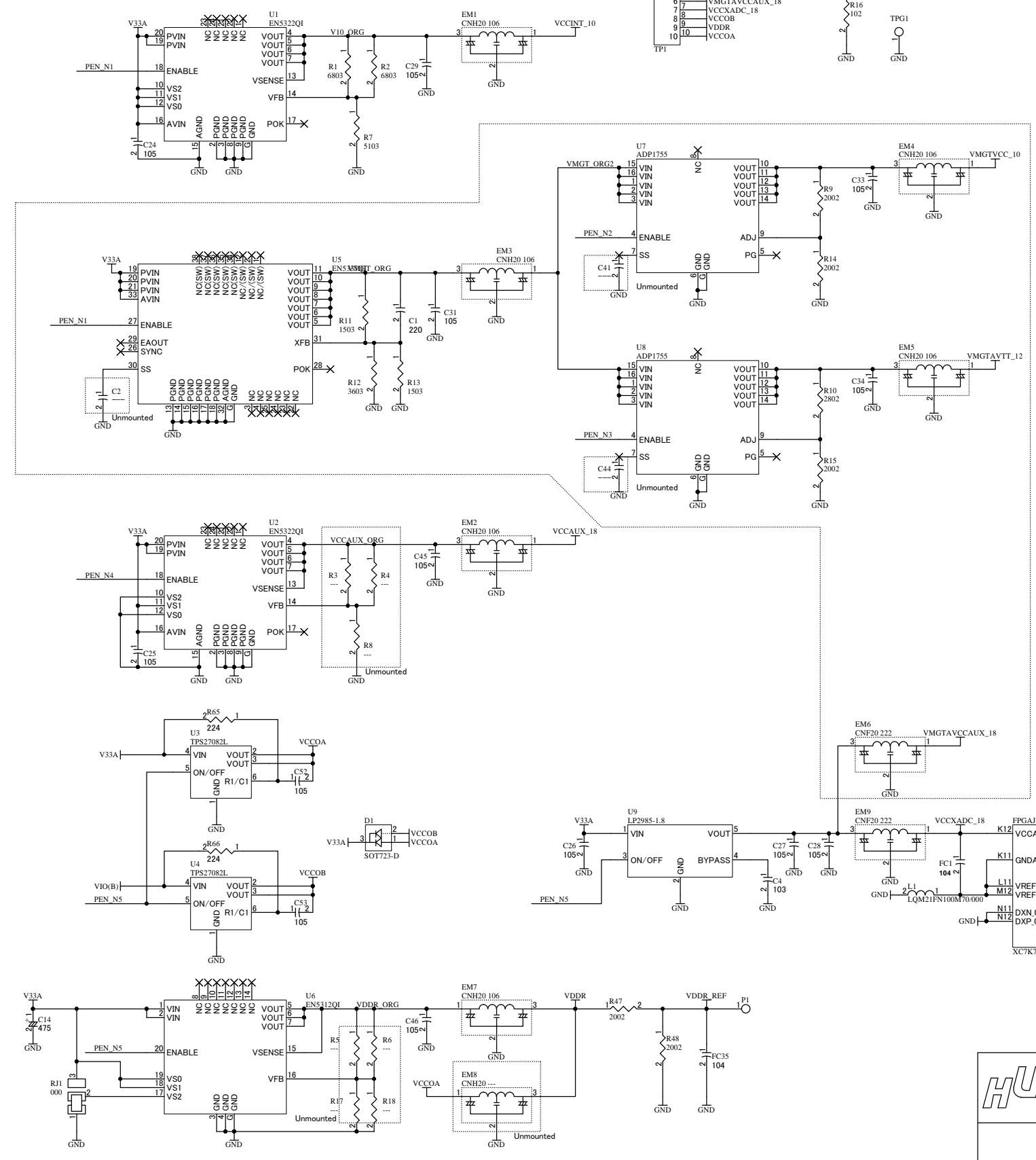
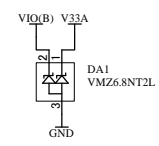
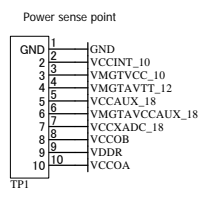


V33A	V33A
VIO(B)	VIO(B)
VCCINT_10	VCCINT_10
VMGTAVCC_10	VMGTAVCC_10
VMGTAVTT_12	VMGTAVTT_12
VMGTAVCCAUX_18	VMGTAVCCAUX_18
VCCAUX_18	VCCAUX_18
VCCADC_18	VCCADC_18
VCCOA	VCCOA
VCCOB	VCCOB
GND	GND

[POWER]



XCM022WR1-SCH-E.pdf



HuMANDATA LTD.
OSAKA JAPAN
www.hdl.co.jp/en/(Global)
www.hdl.co.jp/(Japan)

KINTEX FBG484 FPGA Board

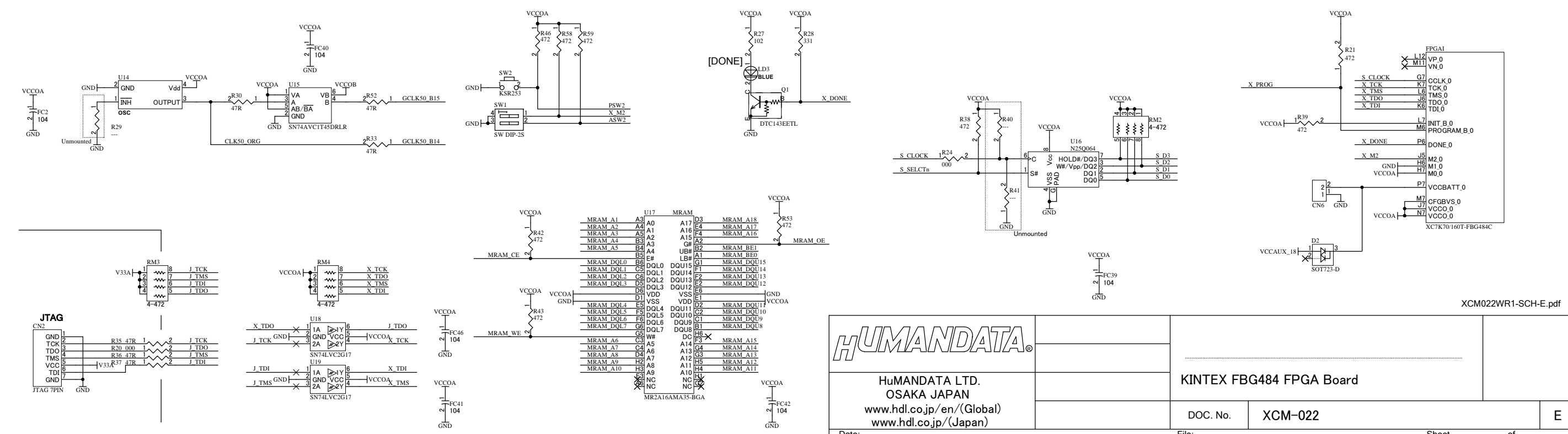
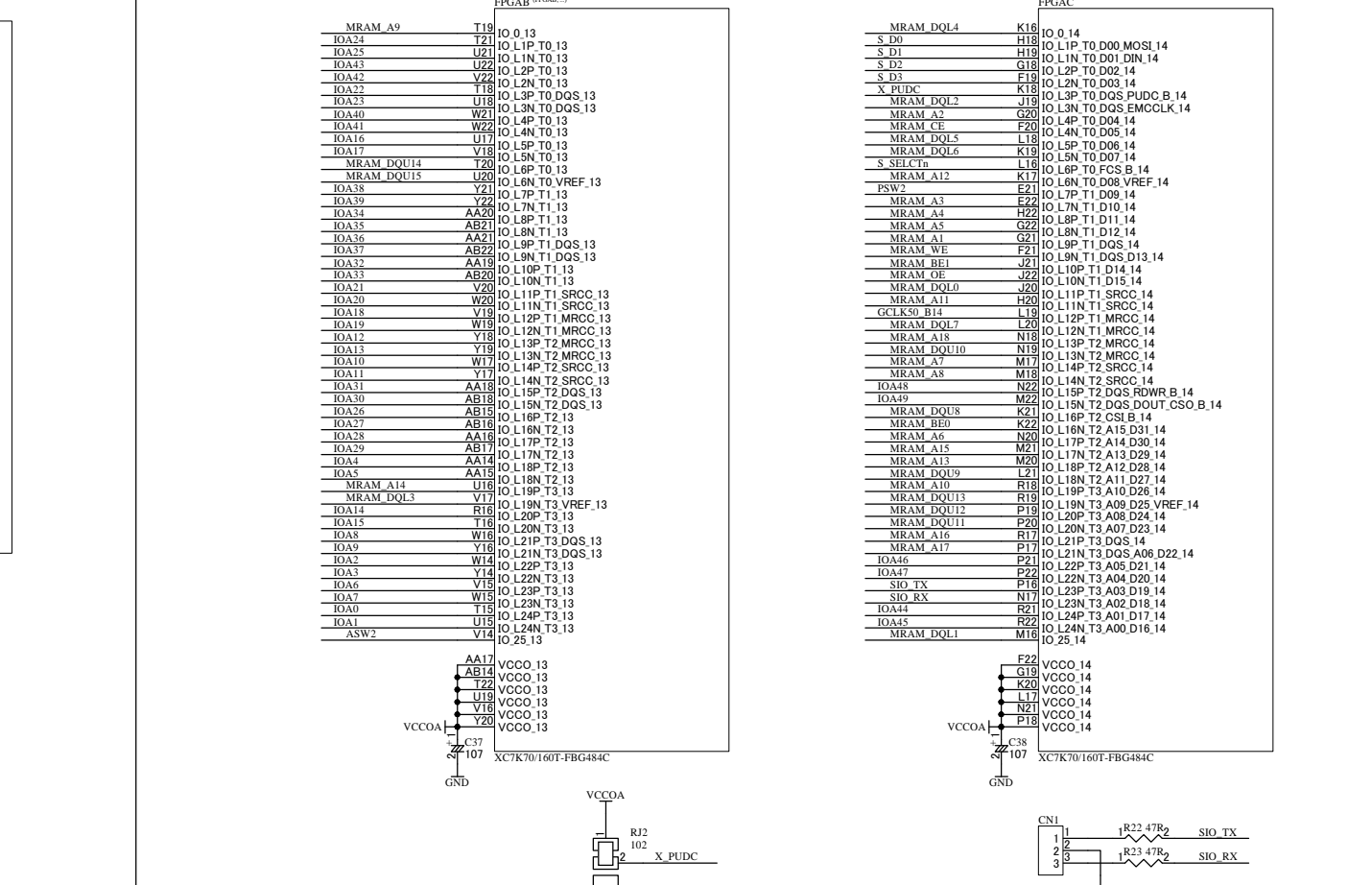
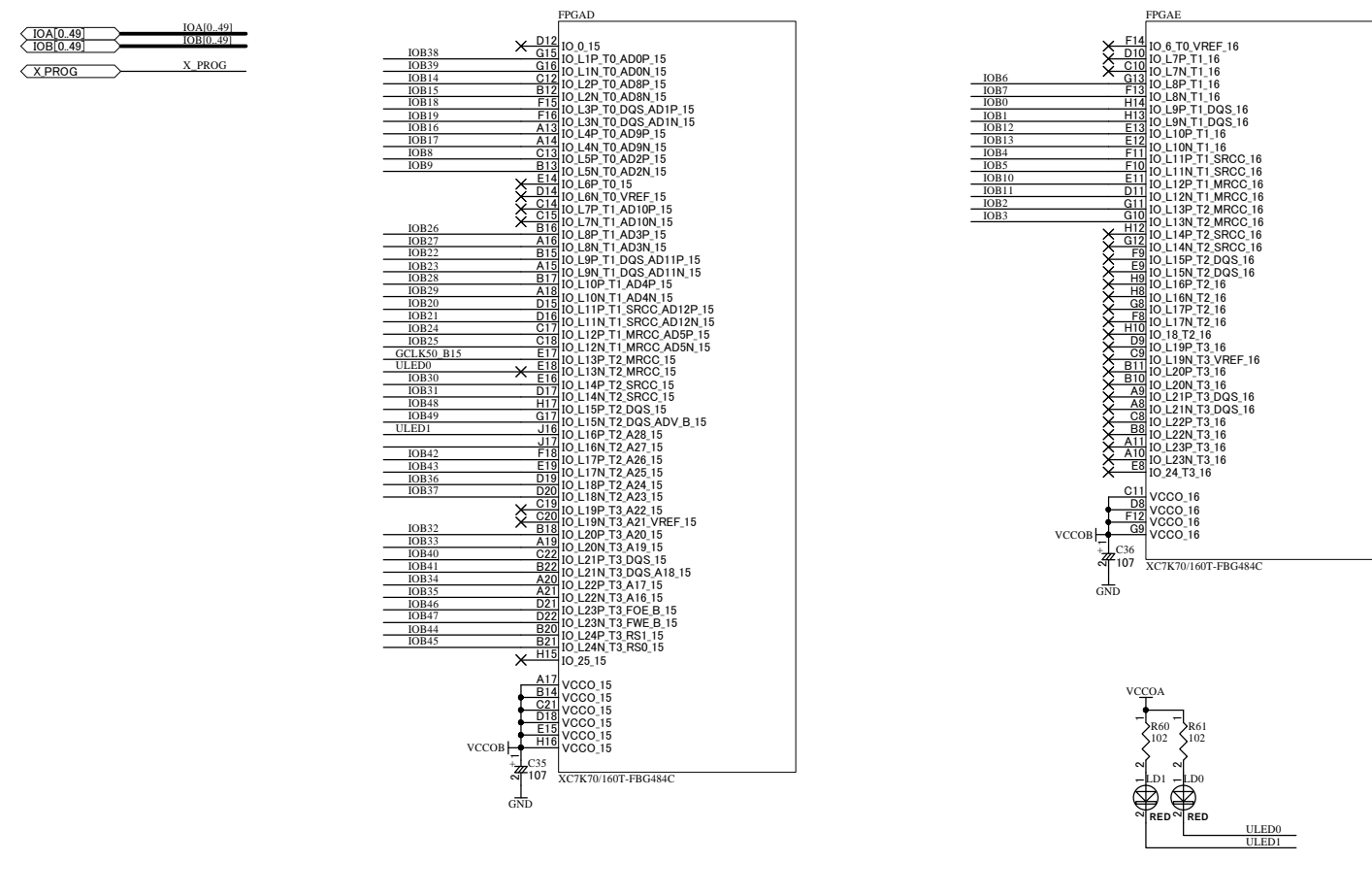
DOC. No. XCM-022

E

V33A	V33A
VIO(B)	VIO(B)
VCCINT_10	VCCINT_10
VMGTVCC_10	VMGTVCC_10
VMGTAVTT_12	VMGTAVTT_12
VMGTAVCCAUX_18	VMGTAVCCAUX_18
VCCAUX_18	VCCAUX_18
VCCADC_18	VCCADC_18
VCCOA	VCCOA
VCCOB	VCCOB
GND	GND

BANK Group B

BANK Group A



HUMAN DATA
HuMANDATA LTD.
OSAKA JAPAN
www.hdl.co.jp/en/(Global)
www.hdl.co.jp/(Japan)

KINTEX FBG484 FPGA Board

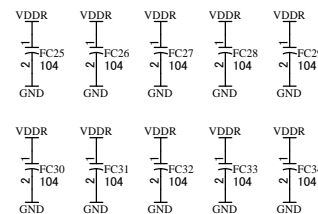
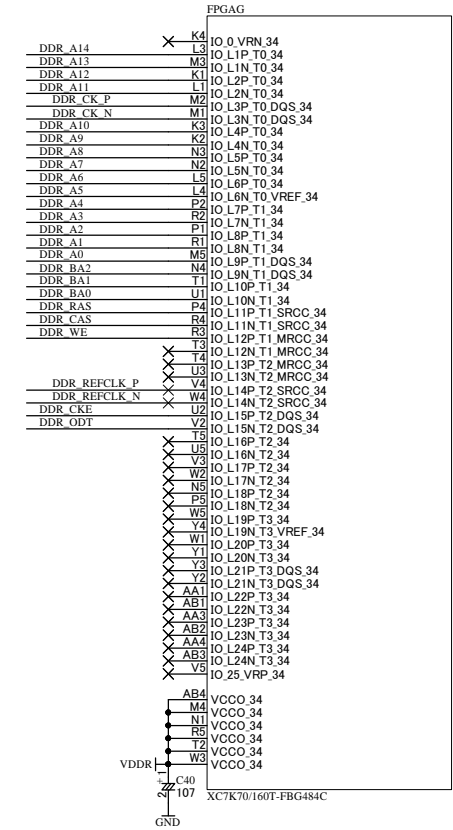
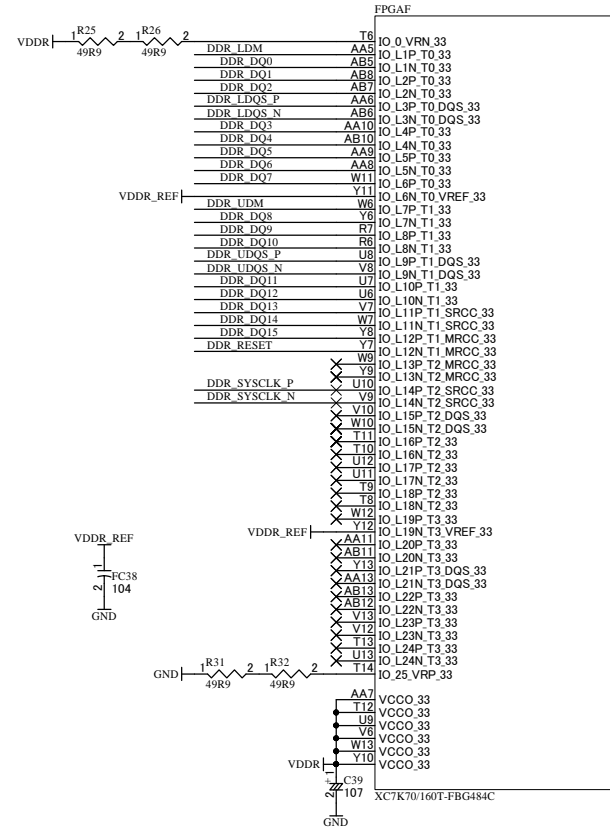
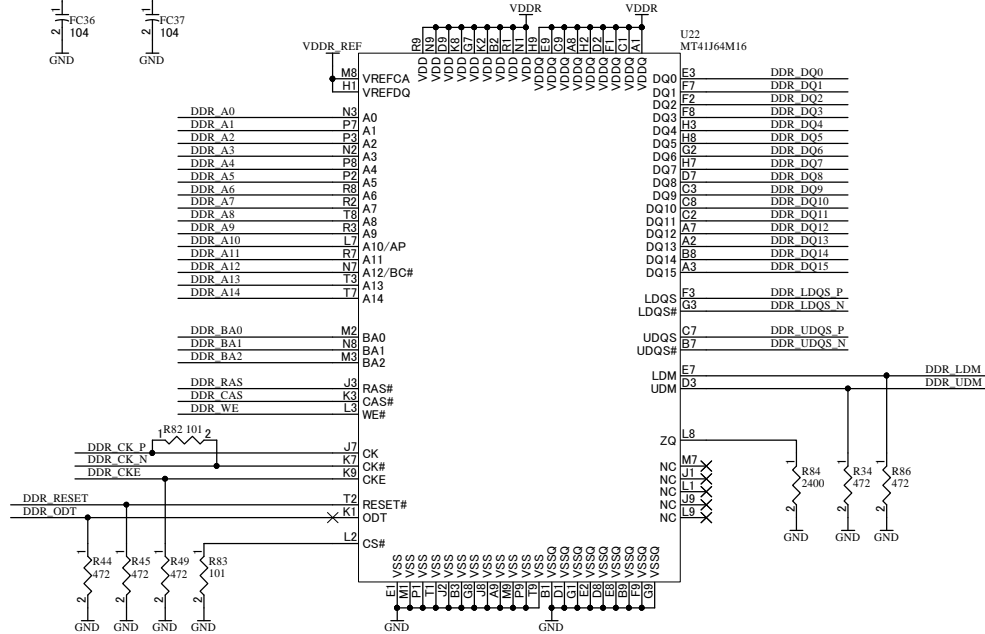
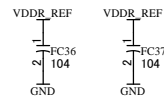
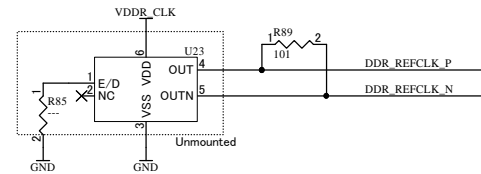
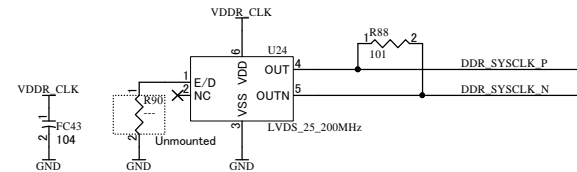
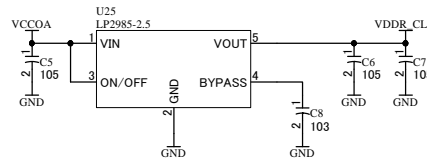
DOC. No. **XCM-022**

XCM022WR1-SCH-E.pdf

Sheet 2 of 4

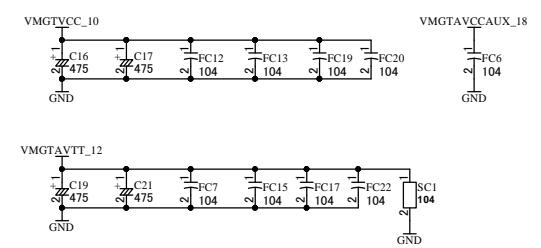
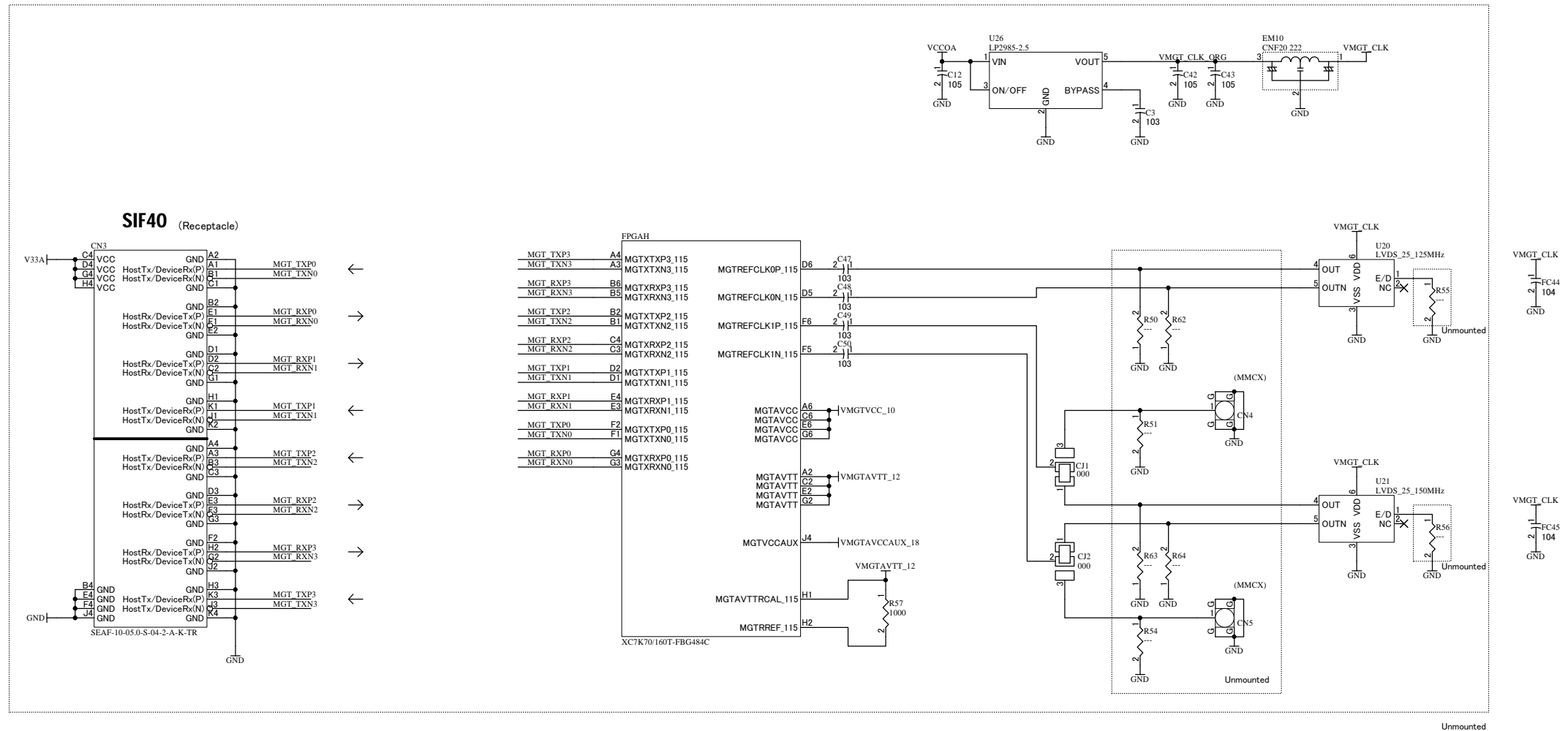
Date: 2014/09/22 16:33:14
File: XCM022_10.sch

V33A	V33A
VIO(B)	VIO(B)
VCCINT_10	VCCINT_10
VMGTAVCC_10	VMGTAVCC_10
VMGTAVTT_12	VMGTAVTT_12
VMGTAVCCAUX_18	VMGTAVCCAUX_18
VCCAUX_18	VCCAUX_18
VCCADC_18	VCCADC_18
VCCOA	VCCOA
VCCOB	VCCOB
GND	GND



		KINTEX FBG484 FPGA Board		
				HuMANDATA LTD. OSAKA JAPAN www.hdl.co.jp/en/(Global) www.hdl.co.jp/(Japan)
Date: 2014/09/22	16:33:14	File: XCM022_Memory.sch	Sheet 3 of 4	E

V33A	V33A
VIO(B)	VIO(B)
VCCINT_10	VCCINT_10
VMGTAVCC_10	VMGTAVCC_10
VMGTAVTT_12	VMGTAVTT_12
VMGTAVCCAUX_18	VMGTAVCCAUX_18
VCCAUX_18	VCCAUX_18
VCCADC_18	VCCADC_18
VCCOA	VCCOA
VCCOB	VCCOB
GND	GND



		KINTEX FBG484 FPGA Board		
				HuMANDATA LTD. OSAKA JAPAN www.hdl.co.jp/en/(Global) www.hdl.co.jp/(Japan)
Date: 2014/09/22	16:33:14	File: XCM022_RocketIO.sch	Sheet 4 of 4	E