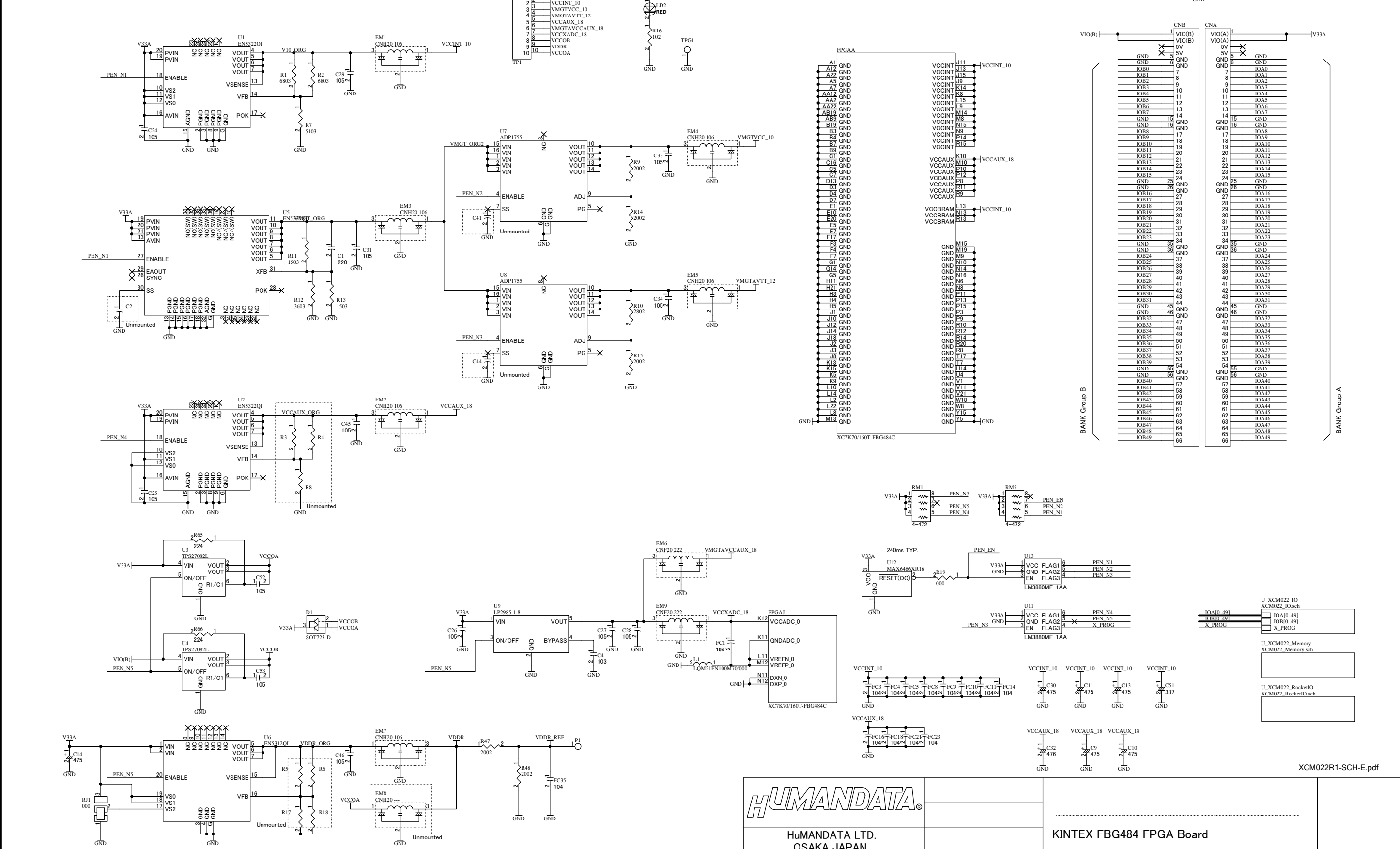


V33A	V33A
VIO(B)	VIO(B)
VCCINT_10	VCCINT_10
VMGTAVCC_10	VMGTAVCC_10
VMGTAVTT_12	VMGTAVTT_12
VMGTAVCCAUX_18	VMGTAVCCAUX_18
VCCAUX_18	VCCAUX_18
VCCADC_18	VCCADC_18
VCCOA	VCCOA
VCCOB	VCCOB
GND	GND



HuMANDATA LTD.  
 OSAKA JAPAN  
[www.hdl.co.jp/en/\(Global\)](http://www.hdl.co.jp/en/(Global))  
[www.hdl.co.jp/\(Japan\)](http://www.hdl.co.jp/(Japan))

KINTEX FBG484 FPGA Board

DOC. No. XCM-022

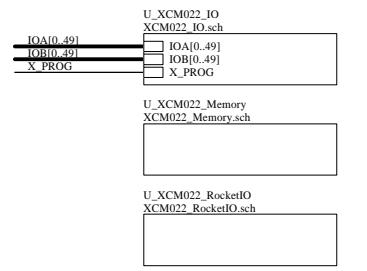
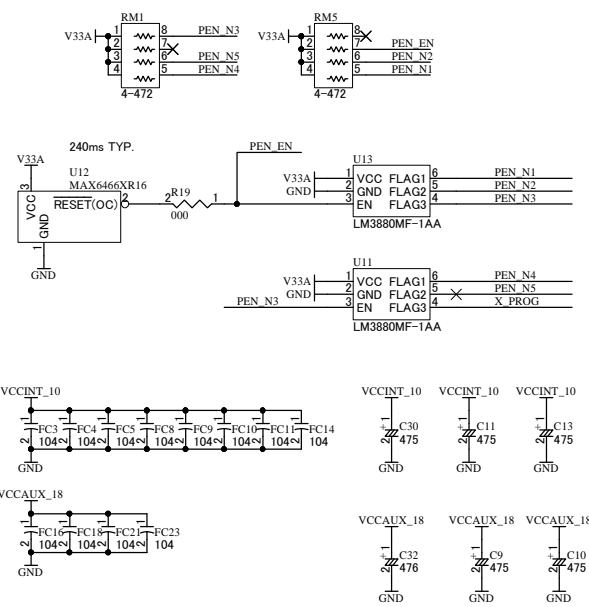
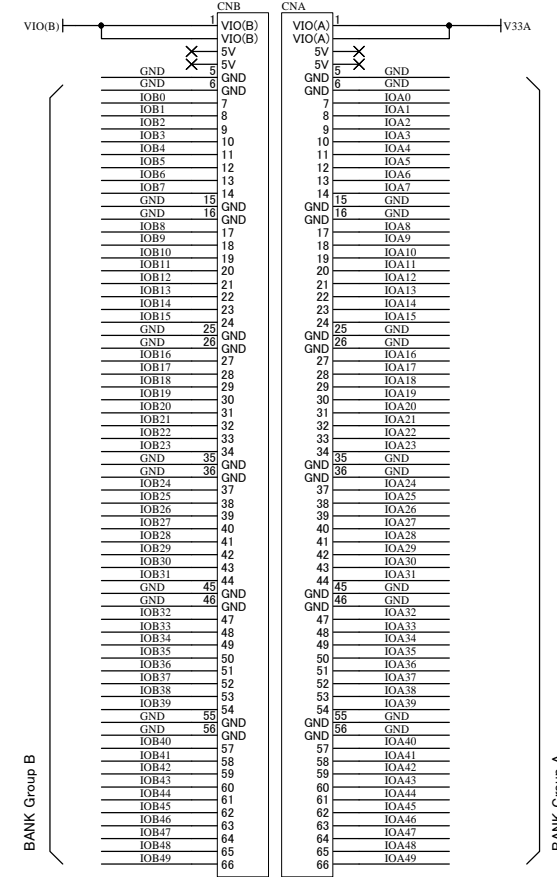
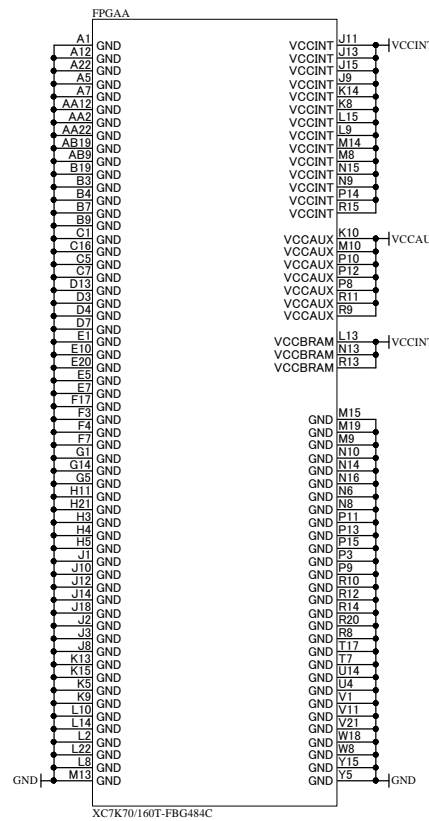
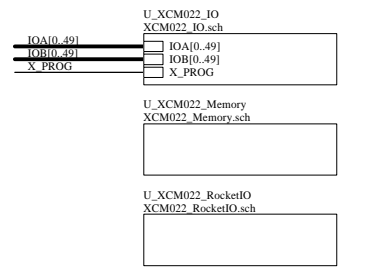
Date: 2014/09/22 14:33:45

File: XCM022E.sch

Sheet 1 of 4

E

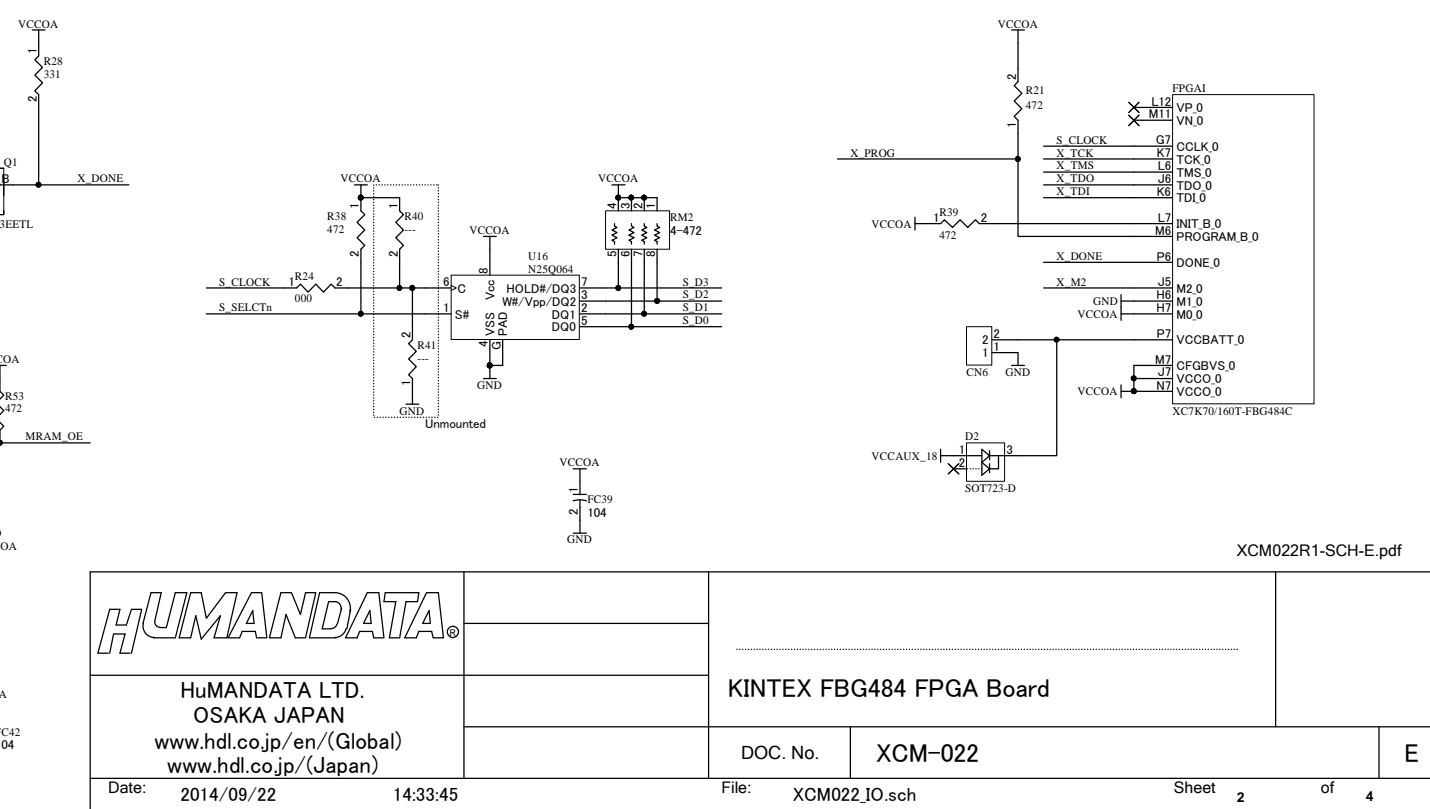
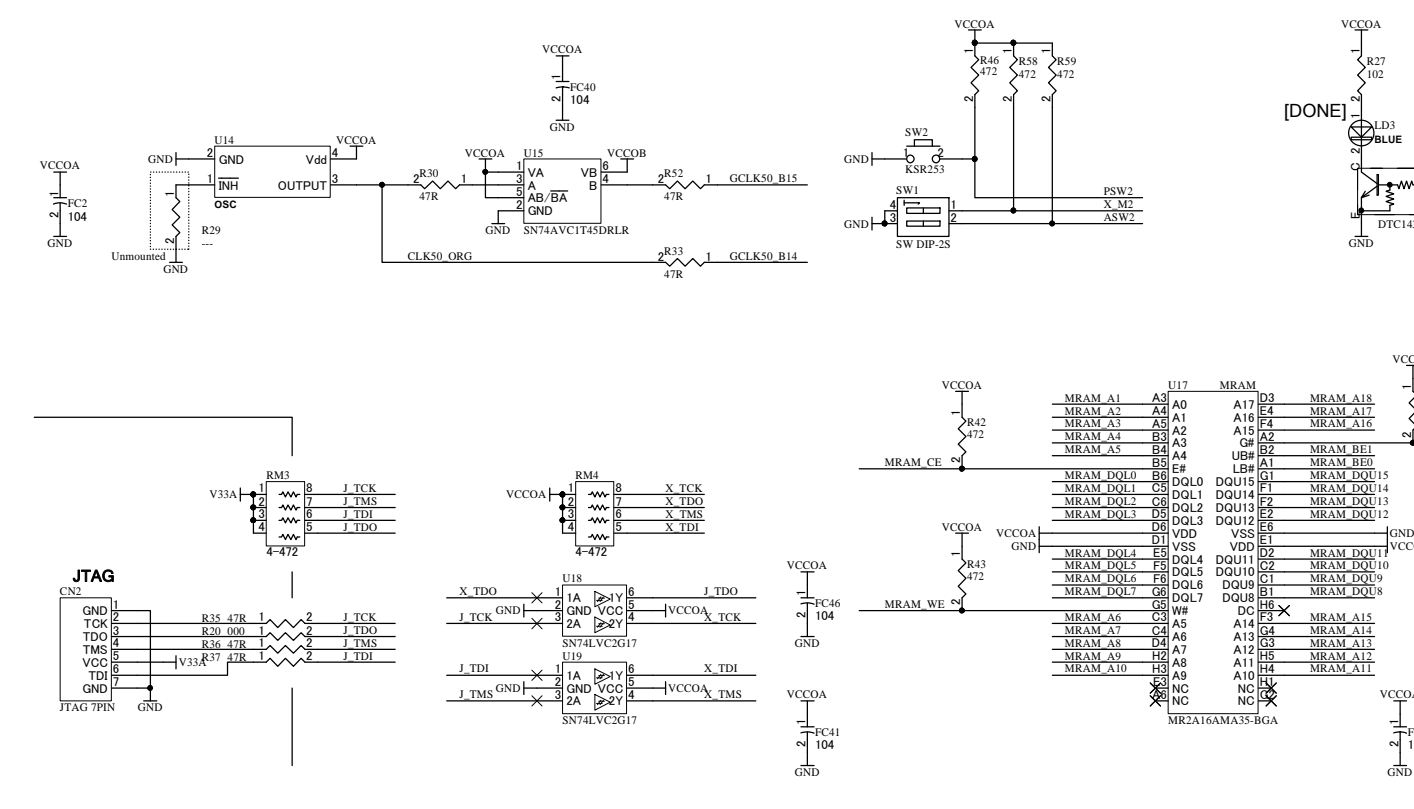
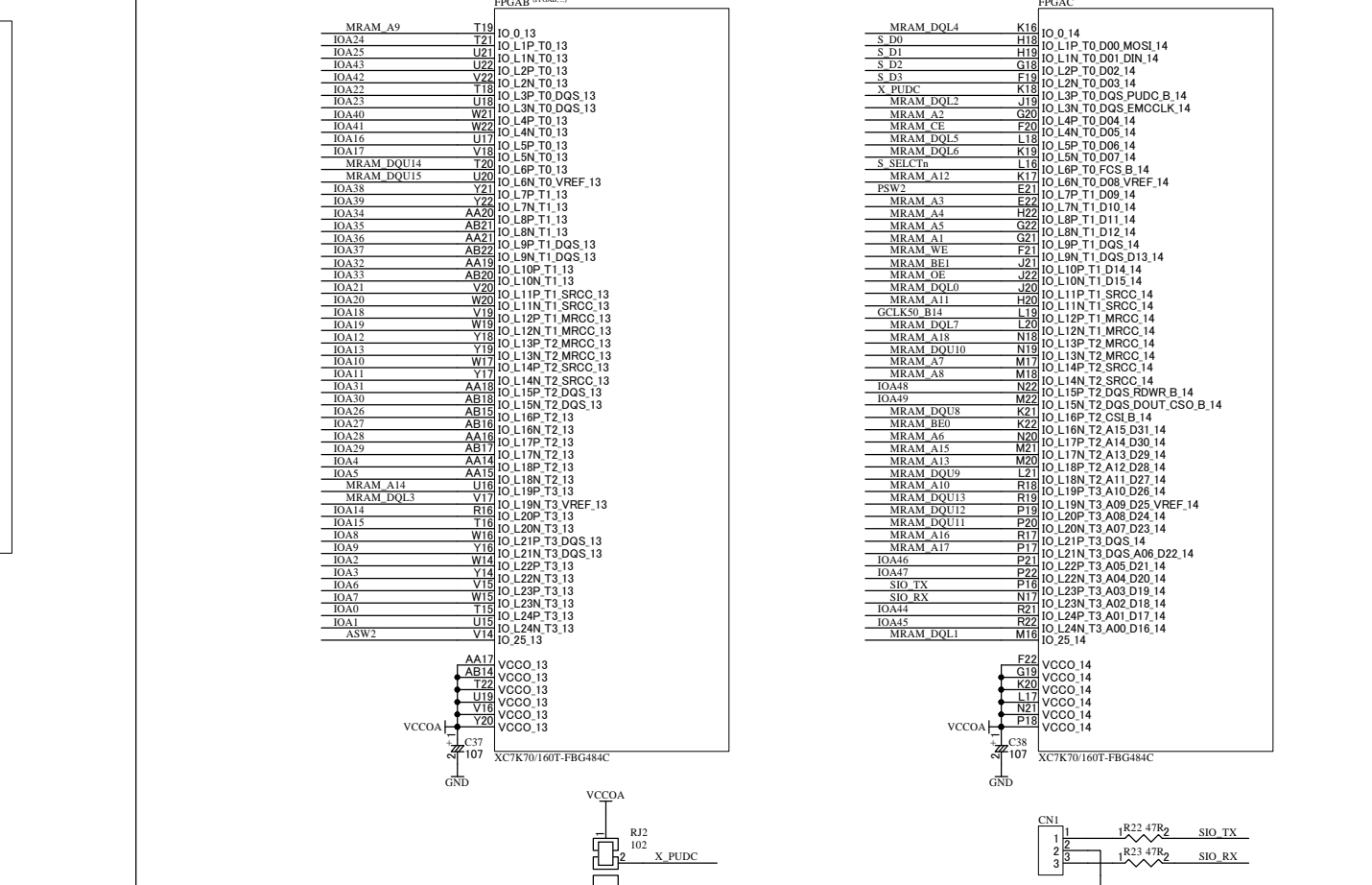
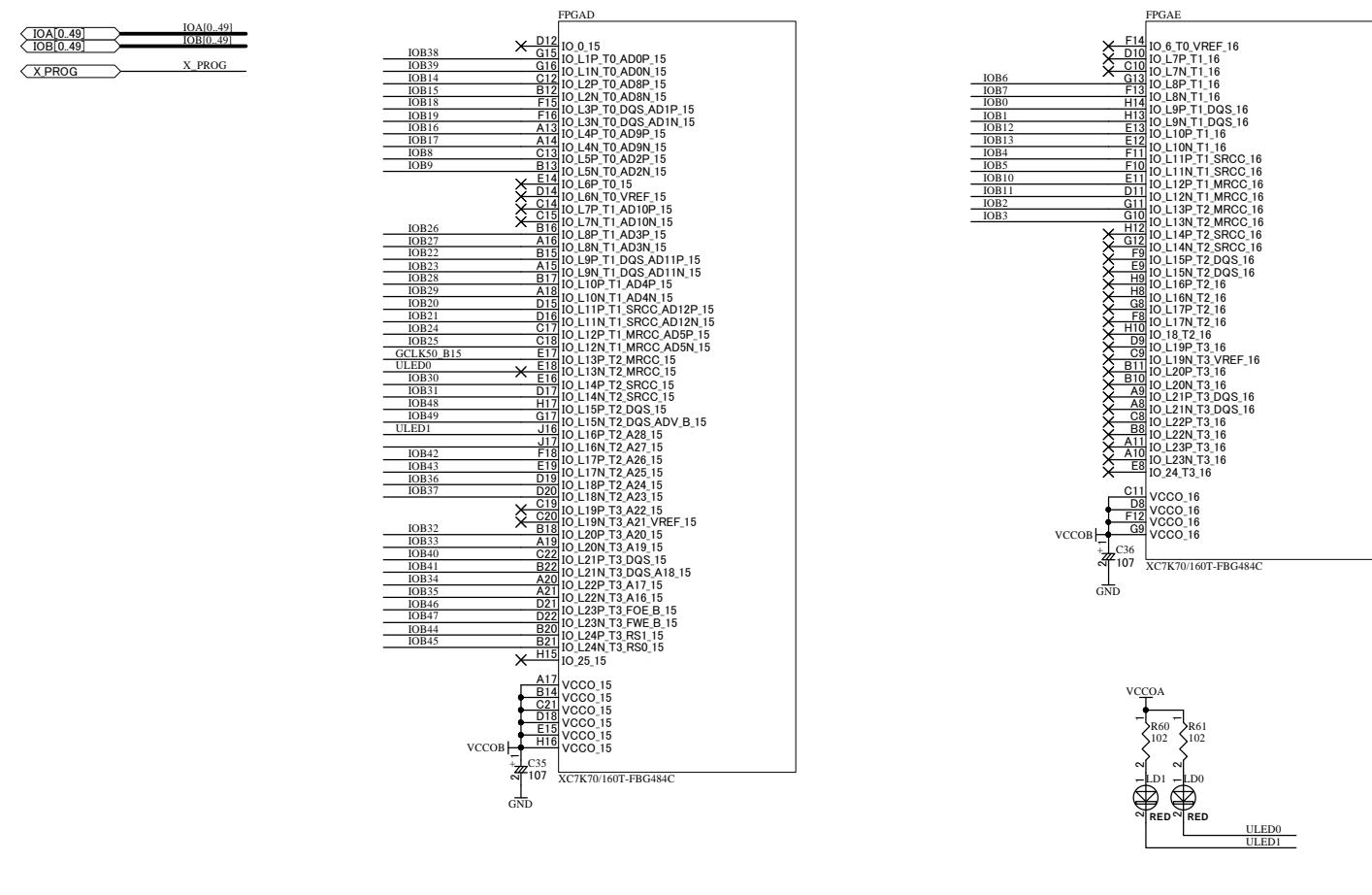
XCM022R1-SCH-E.pdf



V33A	V33A
VIO(B)	VIO(B)
VCCINT_10	VCCINT_10
VMGTVCC_10	VMGTVCC_10
VMGTAVTT_12	VMGTAVTT_12
VMGTAVCCAUX_18	VMGTAVCCAUX_18
VCCAUX_18	VCCAUX_18
VCCADC_18	VCCADC_18
VCCOA	VCCOA
VCCOB	VCCOB
GND	GND

### BANK Group B

### BANK Group A



**HUMAN DATA**  
HuMANDATA LTD.  
OSAKA JAPAN  
www.hdl.co.jp/en/(Global)  
www.hdl.co.jp/(Japan)

**KINTEX FBG484 FPGA Board**

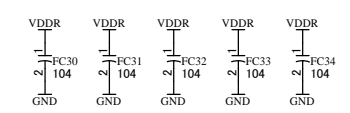
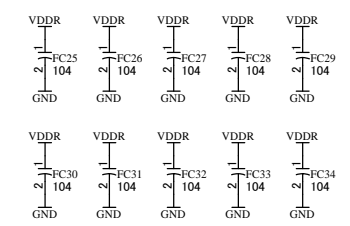
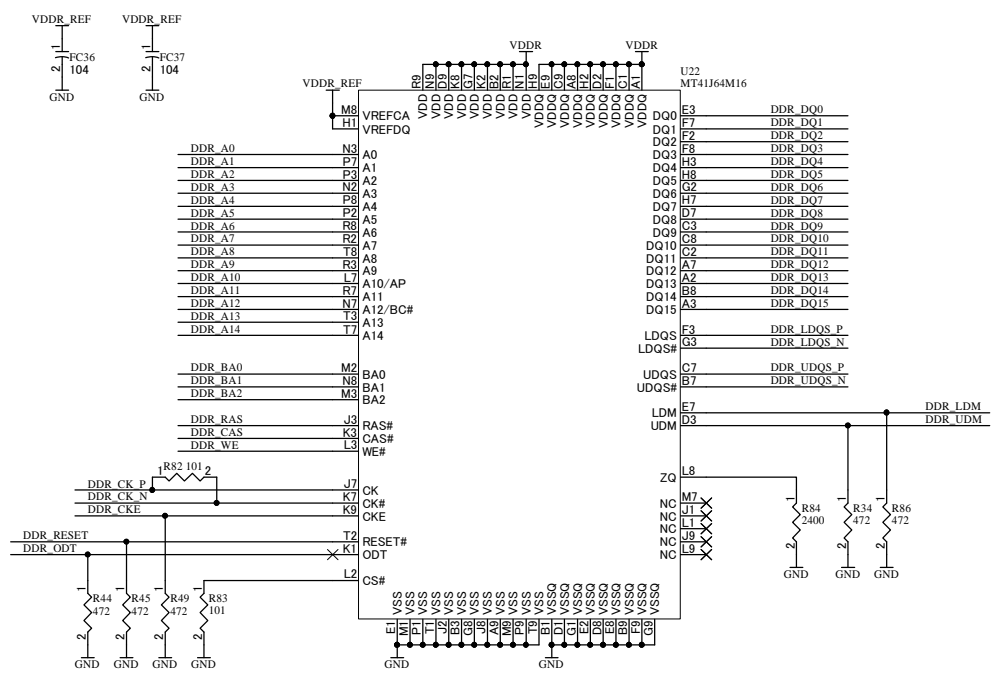
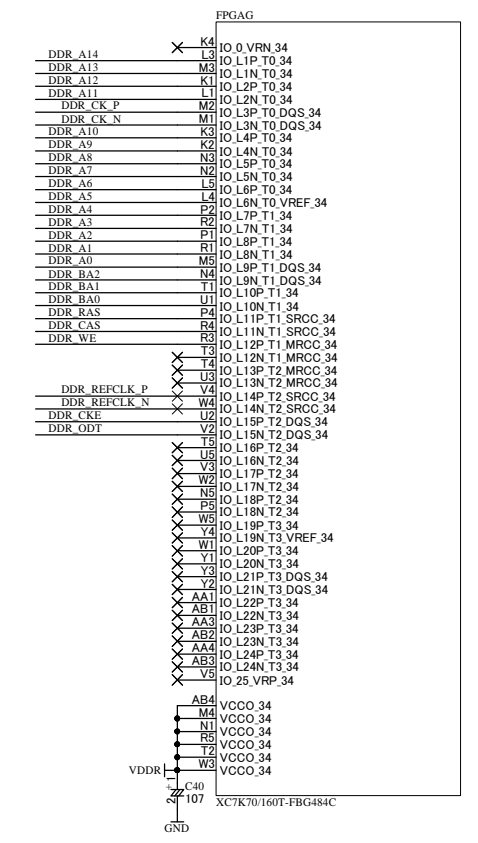
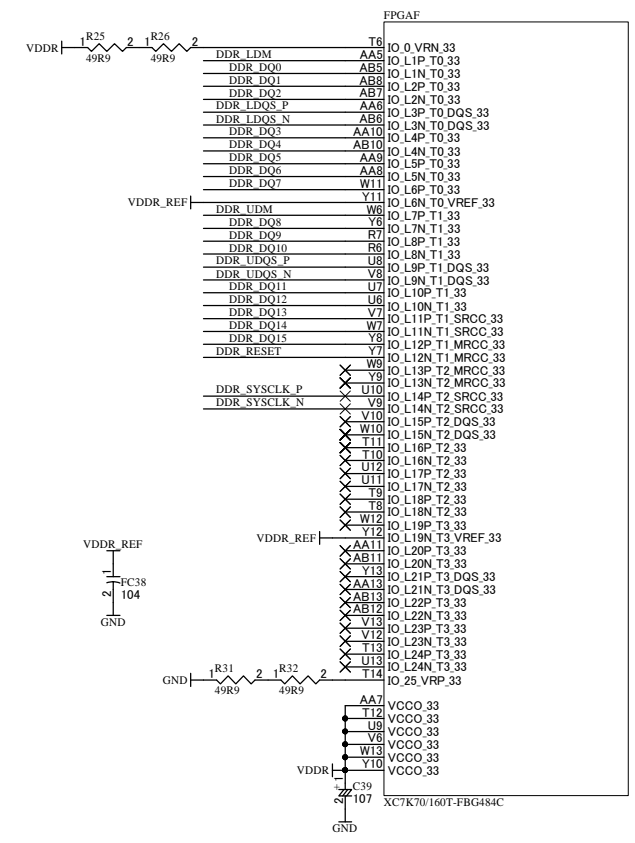
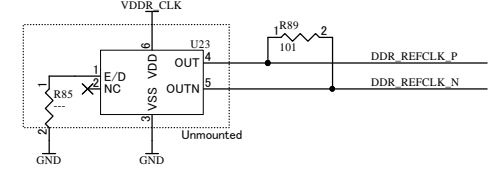
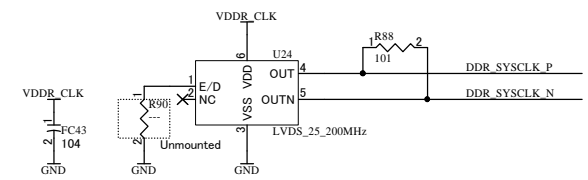
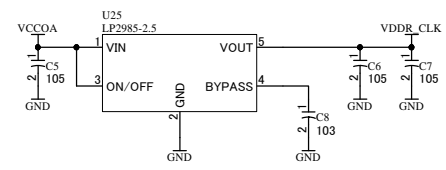
DOC. No. **XCM-022**

XCM022R1-SCH-E.pdf

Sheet 2 of 4

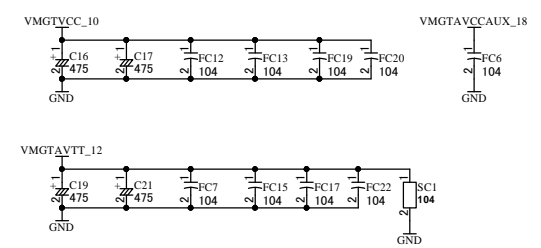
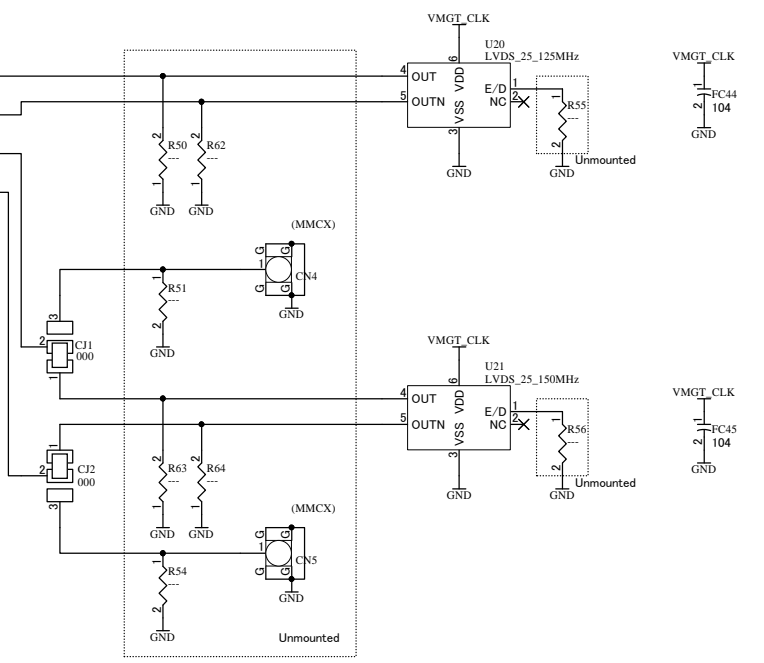
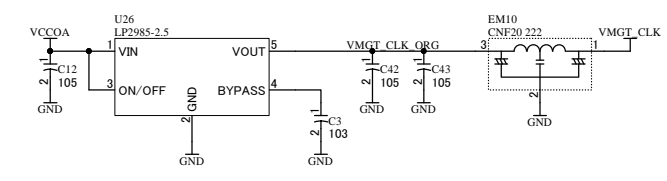
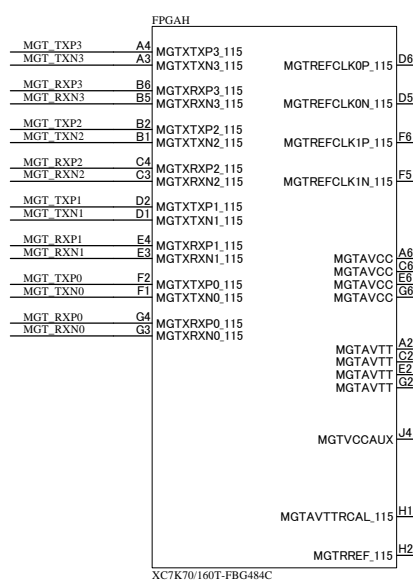
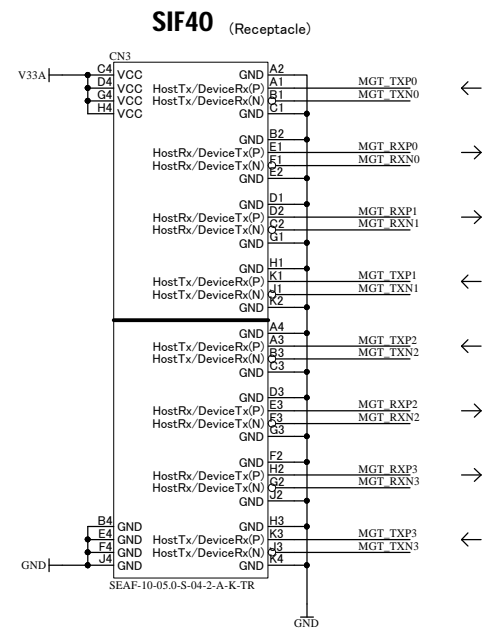
Date: 2014/09/22 14:33:45
File: XCM022\_10.sch

V33A	V33A
VIO(B)	VIO(B)
VCCINT_10	VCCINT_10
VMGTAVCC_10	VMGTAVCC_10
VMGTAVTT_12	VMGTAVTT_12
VMGTAVCCAUX_18	VMGTAVCCAUX_18
VCCAUX_18	VCCAUX_18
VCCADC_18	VCCADC_18
VCCOA	VCCOA
VCCOB	VCCOB
GND	GND



		<b>KINTEX FBG484 FPGA Board</b>		
				HuMANDATA LTD. OSAKA JAPAN <a href="http://www.hdl.co.jp/en/(Global)">www.hdl.co.jp/en/(Global)</a> <a href="http://www.hdl.co.jp/(Japan)">www.hdl.co.jp/(Japan)</a>
Date: 2014/09/22	14:33:46	File: XCM022_Memory.sch	Sheet 3 of 4	E

V33A	V33A
VIO(B)	VIO(B)
VCCINT_10	VCCINT_10
VMGTAVCC_10	VMGTAVCC_10
VMGTAVTT_12	VMGTAVTT_12
VMGTAVCCAUX_18	VMGTAVCCAUX_18
VCCAUX_18	VCCAUX_18
VCCADC_18	VCCADC_18
VCCOA	VCCOA
VCCOB	VCCOB
GND	GND



		<b>KINTEX FBG484 FPGA Board</b>	
Date: 2014/09/22 14:33:46	File: XCM022_RocketIO.sch	Sheet 4 of 4	<b>E</b>