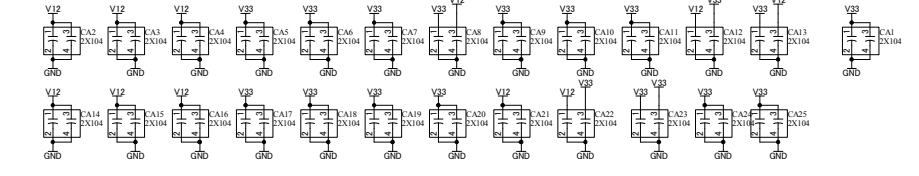
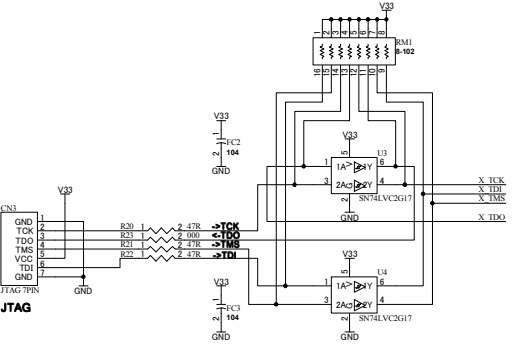
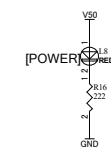
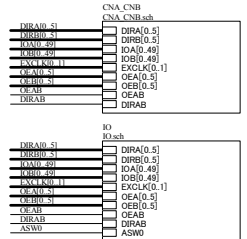
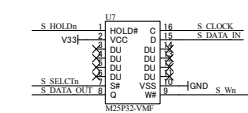
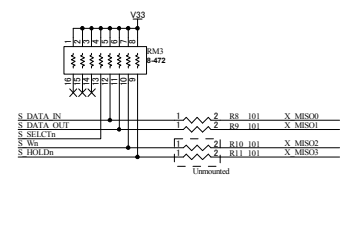
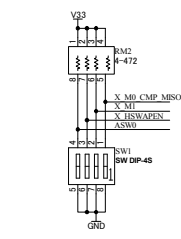
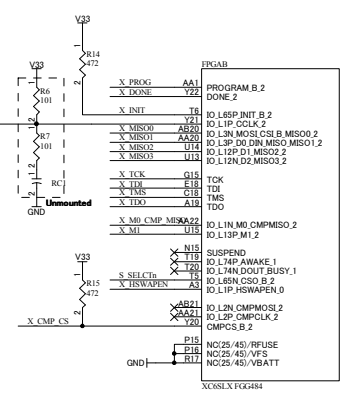
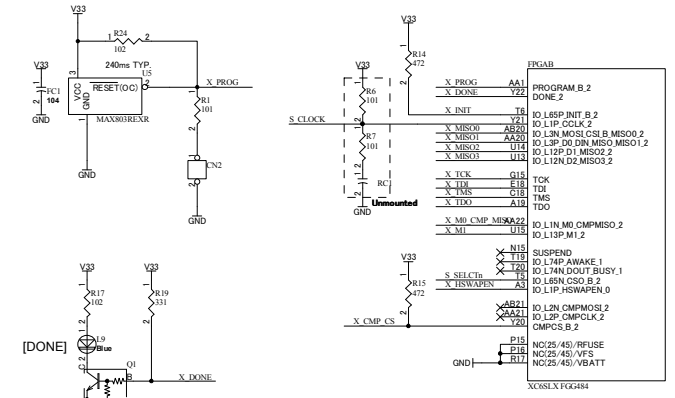
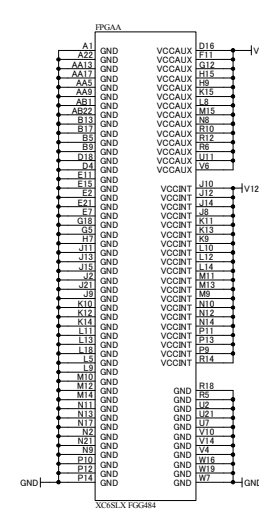
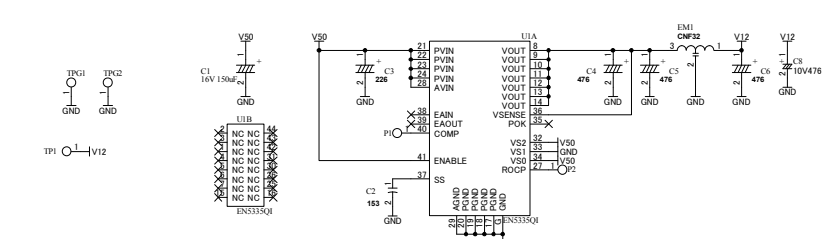


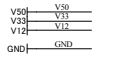
V50] V50  
 V33] V33  
 V12] V12  
 GND] GND



XC6019R1-SCH-A2.pdf

		<b>HuMANDATA LTD.</b> OSAKA JAPAN <a href="http://www.hdl.co.jp/en/">www.hdl.co.jp/en/</a> (Global) <a href="http://www.hdl.co.jp/">www.hdl.co.jp/</a> (Japan)		SPARTAN-6 FG484 FPGA Board (5V I/F)	
Date:	29-Jul-2013	13:02:34	File:	XCM019A.sch	Sheet 1 of 3



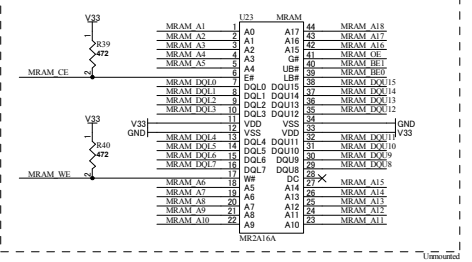
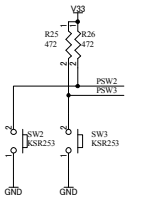
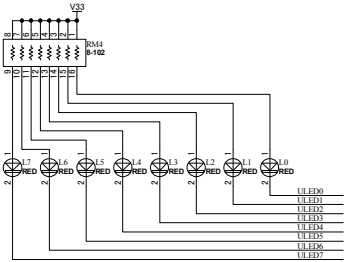
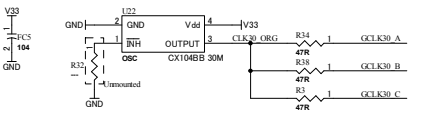
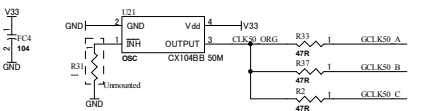


JPGAC pin list table

JPGAD pin list table

JPGAE pin list table

JPGAF pin list table



XCMSL.FGG484

XCMSL.FGG484

XCMSL.FGG484

XCMSL.FGG484

XCMSL.FGG484

Large pin list table for the board

XCMSL.FGG484

HUMAN DATA logo, company information, and board identification details.