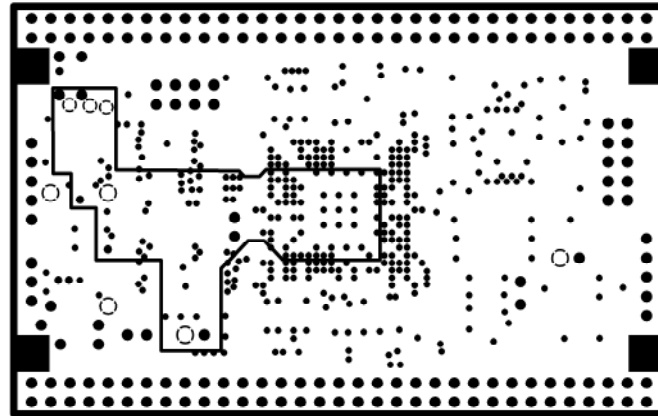
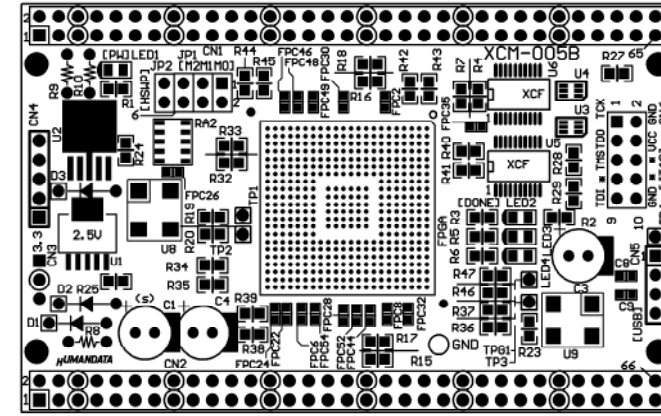


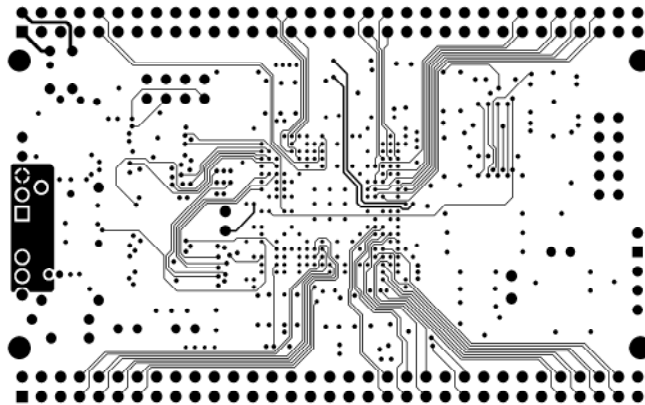
TOP LAYER



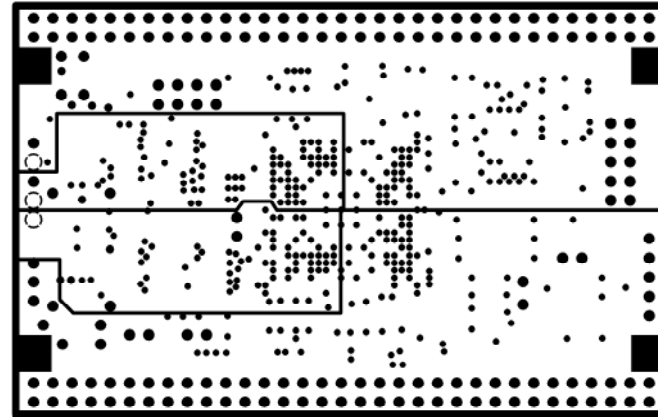
INTERNAL PLANE3



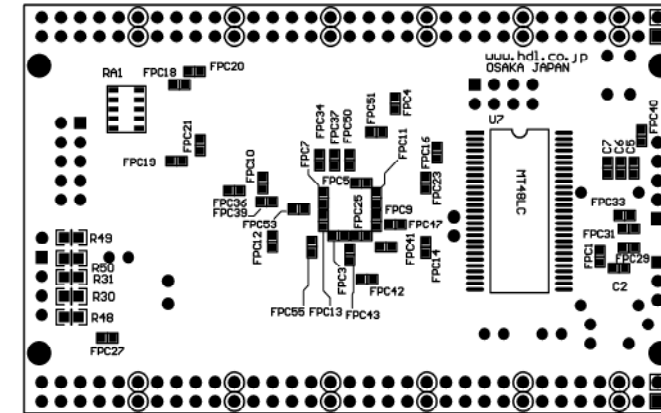
Component Side



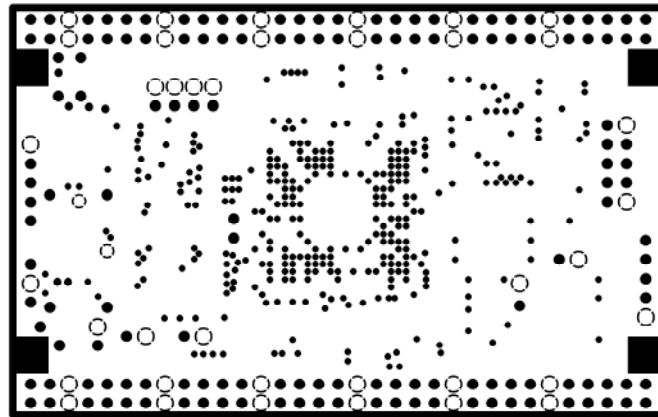
MID LAYER1



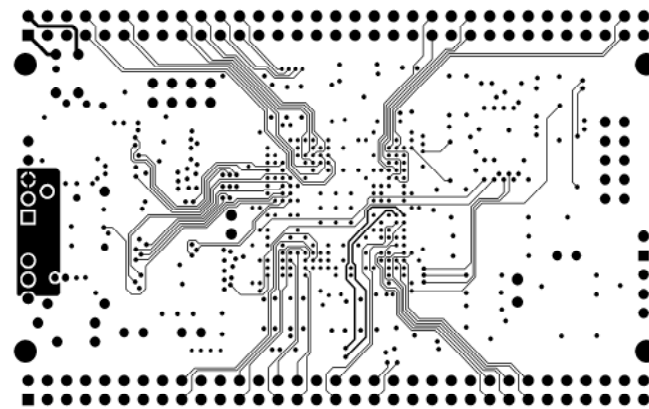
INTERNAL PLANE4



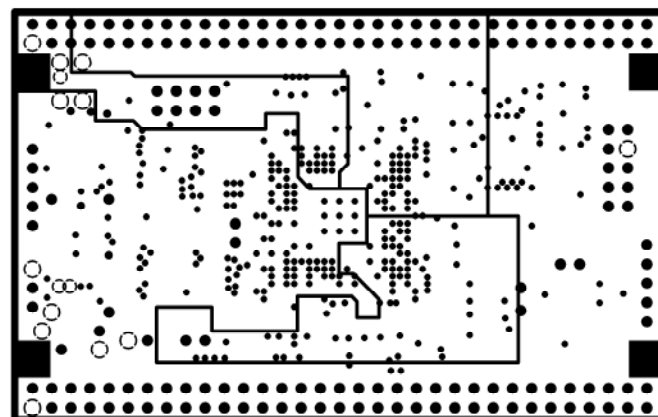
Solder Side



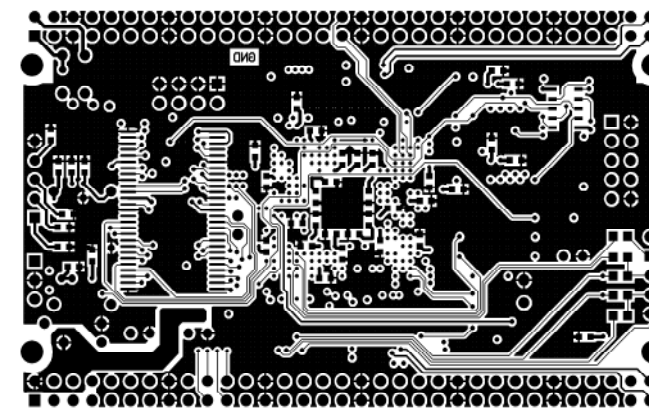
INTERNAL PLANE1



MID LAYER2



INTERNAL PLANE2



BOTTOM LAYER

HUMAN DATA		UNIT	TITLE	
CHK	DWG		XCM-005B PCB drawing	
		SIZE	DWG NO	REV
			PCB-XCM-005B	A

