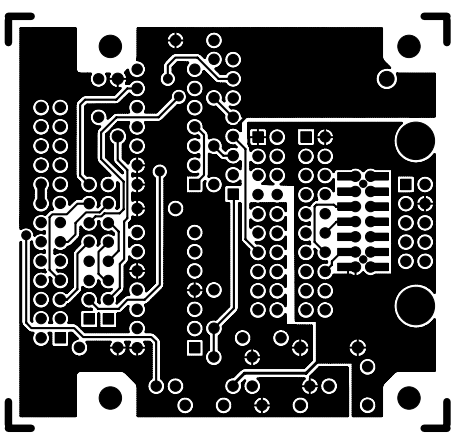
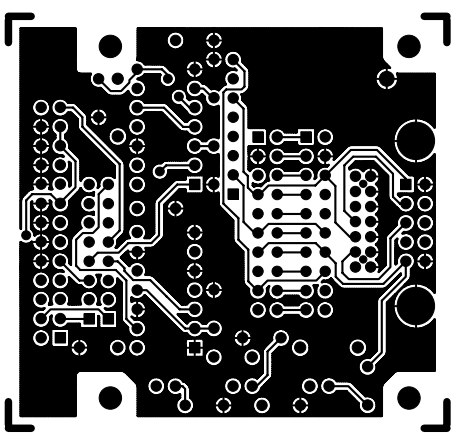


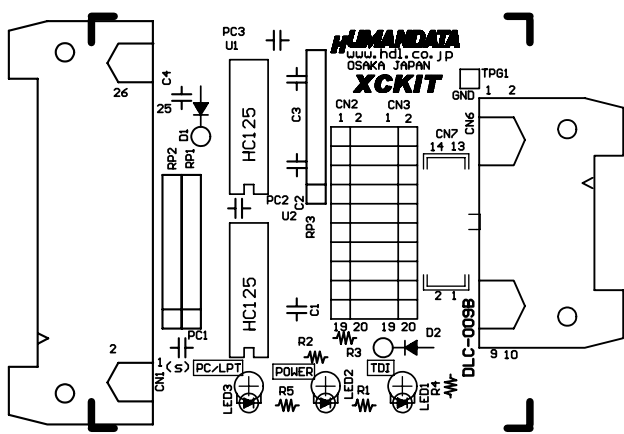
HUMAN DATA LTD.	HUMAN DATA	OUTPUT FILENAME
TITLE: DCL-009		DLC0009B.GT0
PART NO.: DCL-009B		
FILE NAME: DLC009B.PCB	DATE: 26-Feb-2004	2004/2/26



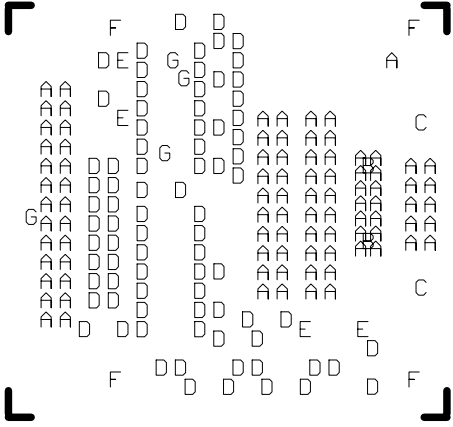
HuMANDATA LTD.	HuMANDATA	OUTPUT FILENAME
TITLE: DCL-009		DLC0009B .GTL
PART NO.: DCL-009B		
FILE NAME: DLC009B.PCB	DATE: 26-Feb-2004	2004/2/26



HuMANDATA LTD.	HuMANDATA	OUTPUT FILENAME
TITLE: DCL-009		DLC0009B .GBL
PART NO.: DCL-009B		
FILE NAME: DLC009B.PCB	DATE: 26-Feb-2004	2004/2/26



HuMANDATA LTD.	HUMAN DATA	OUTPUT FILENAME
TITLE: DCL-009		DLC0009B .GTO
PART NO.: DCL-009B		
FILE NAME: DLC009B.PCB	DATE: 26-Feb-2004	2004/2/26



G	4	27.559mil	0.7mm	PTH
D	82	31.496mil	0.8mm	PTH
A	91	35.433mil	0.9mm	PTH
E	4	39.37mil	1mm	PTH
B	2	39.37mil	1mm	NPTH
C	2	125.984mil	3.2mm	PTH
F	4	125.984mil	3.2mm	NPTH
	189	Total		

HUMAN DATA LTD.	HUMAN DATA	OUTPUT FILENAME
TITLE: DCL-009		DLC0009B .TXT
PART NO.: DCL-009B		
FILE NAME: DLC009B.PCB	DATE: 26-Feb-2004	2004/2/26