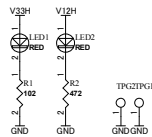
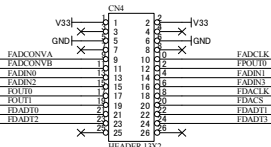
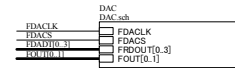
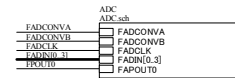


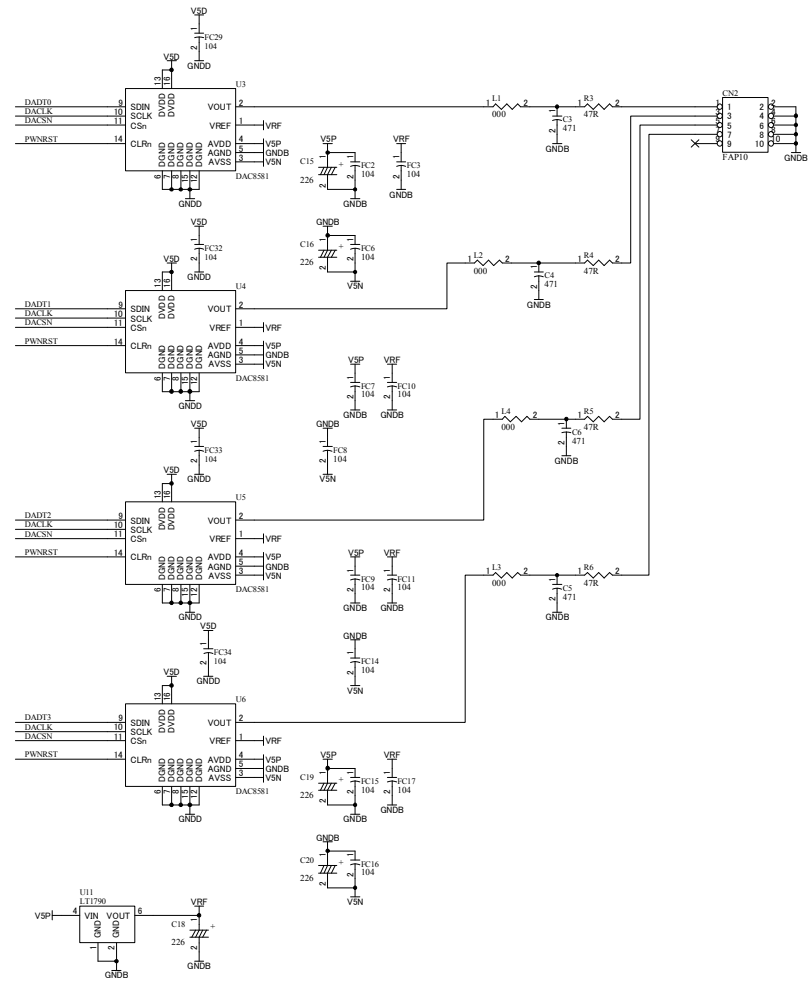
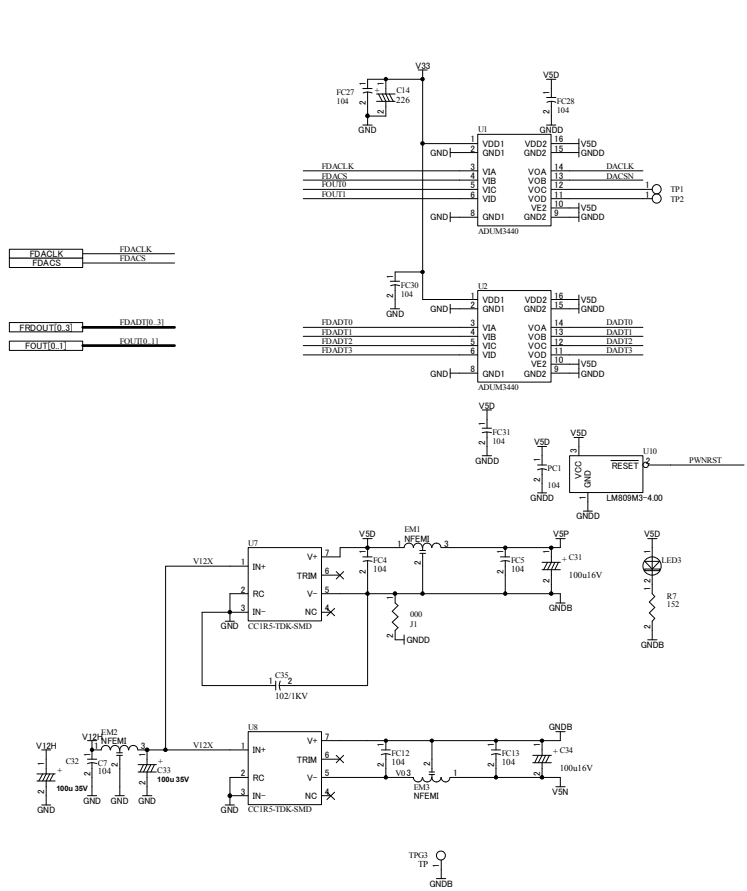
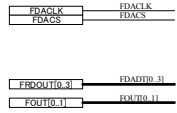
CN1	1	V33H
V33	2	V33H
V33	3	V33H
V33	4	V33H
V33	5	V33H
V33	6	V33H
V33	7	V33H
V33	8	V33H
V33	9	V33H
V33	10	V33H
V33	11	V33H
V33	12	V33H
V33	13	V33H
V33	14	V33H
V33	15	V33H
V33	16	V33H
V33	17	V33H
V33	18	V33H
V33	19	V33H
V33	20	V33H
V33	21	V33H
V33	22	V33H
V33	23	V33H
V33	24	V33H
V33	25	V33H
V33	26	V33H
V33	27	V33H
V33	28	V33H
V33	29	V33H
V33	30	V33H
V33	31	V33H
V33	32	V33H
V33	33	V33H
V33	34	V33H
V33	35	V33H
V33	36	V33H
V33	37	V33H
V33	38	V33H
V33	39	V33H
V33	40	V33H
V33	41	V33H
V33	42	V33H
V33	43	V33H
V33	44	V33H
V33	45	V33H
V33	46	V33H
V33	47	V33H
V33	48	V33H
V33	49	V33H
V33	50	V33H



CN1	1	Tx7	Rx7
GND	2	G	G
GND	3	G	G
GND	4	G	G
GND	5	G	G
GND	6	G	G
GND	7	G	G
GND	8	G	G
GND	9	G	G
GND	10	G	G
GND	11	G	G
GND	12	G	G
GND	13	G	G
GND	14	G	G
GND	15	G	G
GND	16	G	G
GND	17	G	G
GND	18	G	G
GND	19	G	G
GND	20	G	G
GND	21	G	G
GND	22	G	G
GND	23	G	G
GND	24	G	G
GND	25	G	G
GND	26	G	G
GND	27	G	G
GND	28	G	G
GND	29	G	G
GND	30	G	G
GND	31	G	G
GND	32	G	G
GND	33	G	G
GND	34	G	G
GND	35	G	G
GND	36	G	G
GND	37	G	G
GND	38	G	G
GND	39	G	G
GND	40	G	G
GND	41	G	G
GND	42	G	G
GND	43	G	G
GND	44	G	G
GND	45	G	G
GND	46	G	G
GND	47	G	G
GND	48	G	G
GND	49	G	G
GND	50	G	G
GND	51	G	G
GND	52	G	G
GND	53	G	G
GND	54	G	G
GND	55	G	G
GND	56	G	G
GND	57	G	G
GND	58	G	G
GND	59	G	G
GND	60	G	G
GND	61	G	G
GND	62	G	G
GND	63	G	G
GND	64	G	G
GND	65	G	G
GND	66	G	G
GND	67	G	G
GND	68	G	G
GND	69	G	G
GND	70	G	G
GND	71	G	G
GND	72	G	G
GND	73	G	G
GND	74	G	G
GND	75	G	G
GND	76	G	G
GND	77	G	G
GND	78	G	G
GND	79	G	G
GND	80	G	G
GND	81	G	G
GND	82	G	G
GND	83	G	G
GND	84	G	G
GND	85	G	G
GND	86	G	G
GND	87	G	G
GND	88	G	G
GND	89	G	G
GND	90	G	G
GND	91	G	G
GND	92	G	G
GND	93	G	G
GND	94	G	G
GND	95	G	G
GND	96	G	G
GND	97	G	G
GND	98	G	G
GND	99	G	G
GND	100	G	G
GND	101	G	G
GND	102	G	G
GND	103	G	G
GND	104	G	G
GND	105	G	G
GND	106	G	G
GND	107	G	G
GND	108	G	G
GND	109	G	G
GND	110	G	G
GND	111	G	G
GND	112	G	G
GND	113	G	G
GND	114	G	G
GND	115	G	G
GND	116	G	G
GND	117	G	G
GND	118	G	G
GND	119	G	G
GND	120	G	G
GND	121	G	G
GND	122	G	G
GND	123	G	G
GND	124	G	G
GND	125	G	G
GND	126	G	G
GND	127	G	G
GND	128	G	G
GND	129	G	G
GND	130	G	G
GND	131	G	G
GND	132	G	G
GND	133	G	G
GND	134	G	G
GND	135	G	G
GND	136	G	G
GND	137	G	G
GND	138	G	G
GND	139	G	G
GND	140	G	G
GND	141	G	G
GND	142	G	G
GND	143	G	G
GND	144	G	G
GND	145	G	G
GND	146	G	G
GND	147	G	G
GND	148	G	G
GND	149	G	G
GND	150	G	G
GND	151	G	G
GND	152	G	G
GND	153	G	G
GND	154	G	G
GND	155	G	G
GND	156	G	G
GND	157	G	G
GND	158	G	G
GND	159	G	G
GND	160	G	G
GND	161	G	G
GND	162	G	G
GND	163	G	G
GND	164	G	G
GND	165	G	G
GND	166	G	G
GND	167	G	G
GND	168	G	G
GND	169	G	G
GND	170	G	G
GND	171	G	G
GND	172	G	G
GND	173	G	G
GND	174	G	G
GND	175	G	G
GND	176	G	G
GND	177	G	G
GND	178	G	G
GND	179	G	G
GND	180	G	G
GND	181	G	G
GND	182	G	G
GND	183	G	G
GND	184	G	G
GND	185	G	G
GND	186	G	G
GND	187	G	G
GND	188	G	G
GND	189	G	G
GND	190	G	G
GND	191	G	G
GND	192	G	G
GND	193	G	G
GND	194	G	G
GND	195	G	G
GND	196	G	G
GND	197	G	G
GND	198	G	G
GND	199	G	G
GND	200	G	G

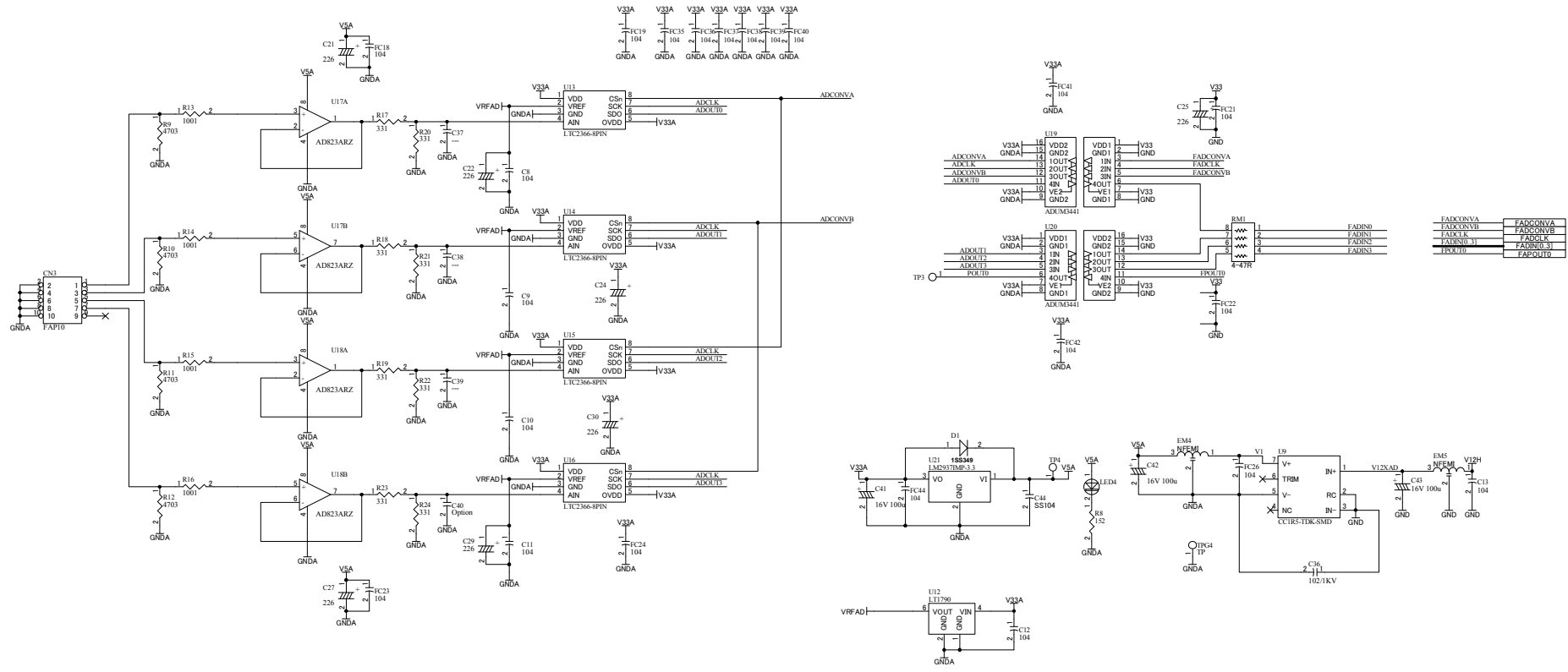


	HuMANDATA LTD. OSAKA JAPAN www.hdl.co.jp/en/ (Global) www.hdl.co.jp/ (Japan)		Isolated 4-Channel AD/DA Board with HSMC Connector	
	Date: 1-Aug-2013	11:49:23	File: UTL103B1.sch	Sheet 1 of 3



UTL103R3-SCH-B5.pdf

		Isolated 4-Channel AD/DA Board with HSMC Connector	
HuMANDATA LTD. OSAKA JAPAN www.hdl.co.jp/en/(Global) www.hdl.co.jp/(Japan)		Date:	1-Aug-2013
Date: 1-Aug-2013 11:49:23		File:	DAC.sch
Sheet 2 of 3		B5	



		Isolated 4-Channel AD/DA Board with HSMC Connector	
Date: 1-Aug-2013 11:49:23		File: ADC.sch Sheet 3 of 3	