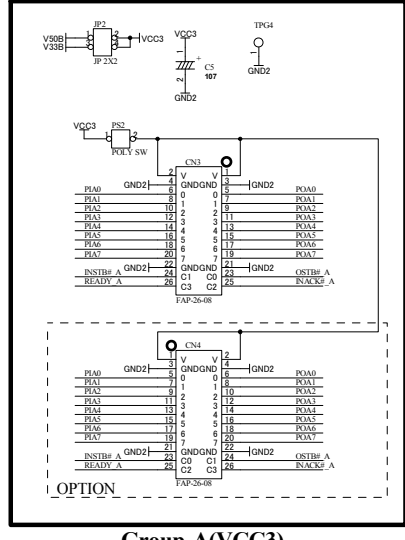
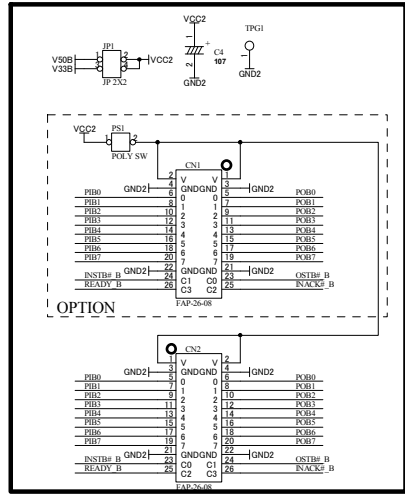


Group-B(VCC2)

Group-A(VCC3)



**HUMANDATA**  
 HuMANDATA LTD.  
 OSAKA JAPAN  
 www.hdl.co.jp/en/(Global)  
 www.hdl.co.jp/(Japan)

High-Speed Isolated GPIO Board with HSMC Connector