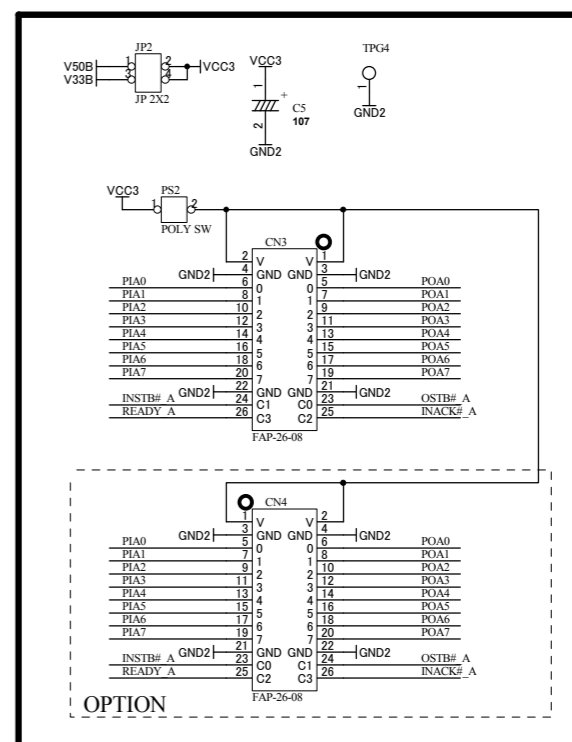
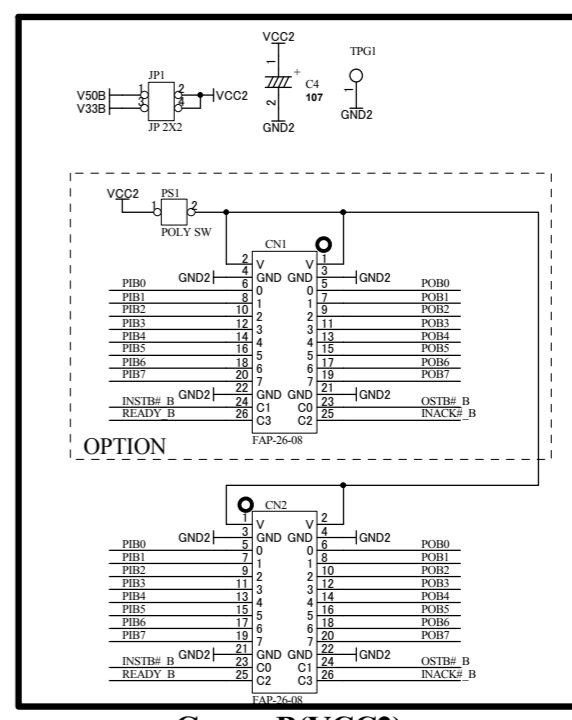
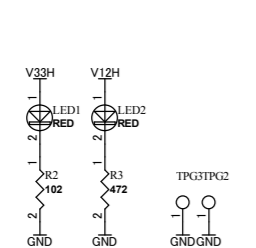


Option

CNS	1	V33H
	2	V33H
	3	V33H
	4	V50B
	5	V50B
	6	GND
	7	GND
	8	CNH 41
	9	CNH 43
	10	CNH 49
	11	CNH 55
	12	CNH 59
	13	CNH 61
	14	CNH 67
	15	CNH 71
	16	CNH 73
	17	CNH 75
	18	CNH 77
	19	CNH 79
	20	CNH 81
	21	CNH 83
	22	CNH 85
	23	CNH 87
	24	CNH 89
	25	CNH 91
	26	CNH 93
	27	CNH 95
	28	CNH 97
	29	CNH 99
	30	CNH 101
	31	CNH 103
	32	CNH 105
	33	CNH 107
	34	CNH 109
	35	GND
	36	GND
	37	CNH 113
	38	CNH 115
	39	CNH 117
	40	CNH 119
	41	CNH 121
	42	CNH 123
	43	CNH 125
	44	CNH 127
	45	CNH 131
	46	CNH 133
	47	CNH 135
	48	CNH 137
	49	CNH 139
	50	CNH 141
	51	CNH 143
	52	CNH 145
	53	CNH 147
	54	CNH 149
	55	CNH 151
	56	CNH 153
	57	CNH 155
	58	CNH 157



HuMANDATA LTD.  
 OSAKA JAPAN  
[www.hdl.co.jp/en/](http://www.hdl.co.jp/en/)(Global)  
[www.hdl.co.jp/](http://www.hdl.co.jp/)(Japan)

High-Speed Isolated GPIO Board with HSMC Connector