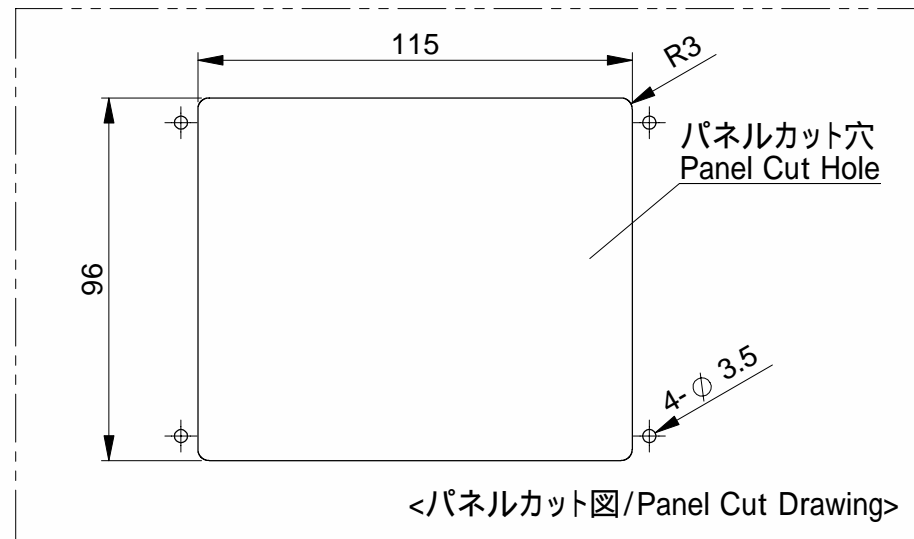
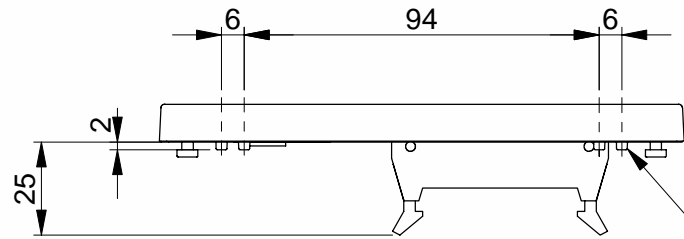
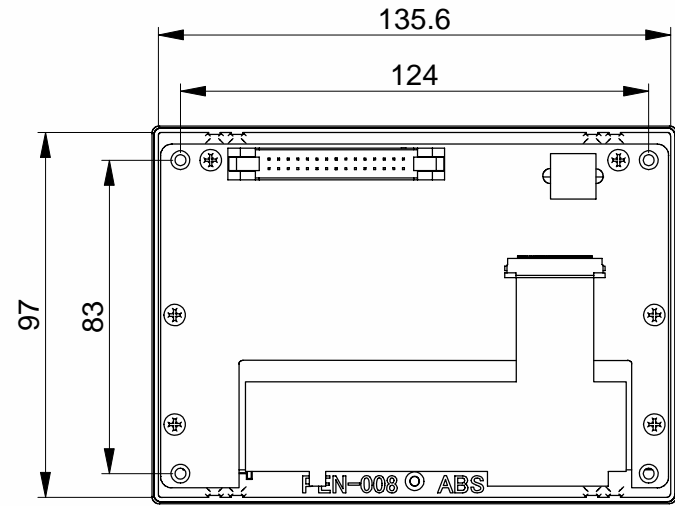
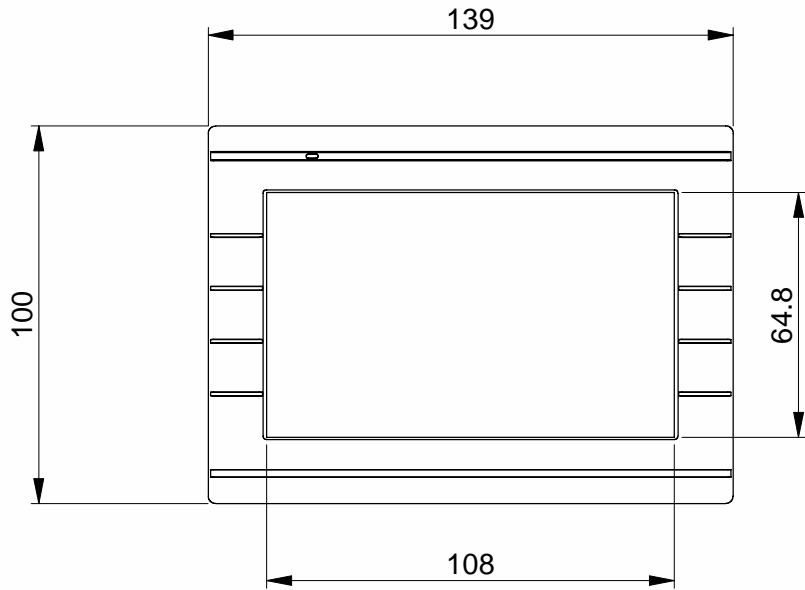


図はパネル取り付け時のものです
This is an image of the product attached to a panel.



HUMANDATA [®]		SCALE 1:2	UNIT mm	MATERIAL
CHK	DWG	TITLE UTL-025 Outline Drawing		
		DRAWING NO URL025R1-DWG-A		REV A



8-位置決め用ツメ
8-Positioning Tab



HUMANDATA ®		SCALE 1:2	UNIT mm	MATERIAL
CHK	DWG	TITLE UTL-025 Outline Drawing		REV
		DRAWING NO URL025R1-DWG-A		A