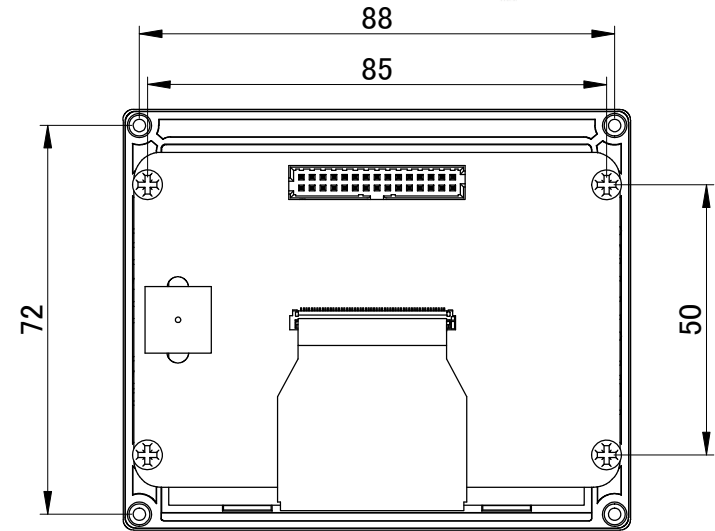
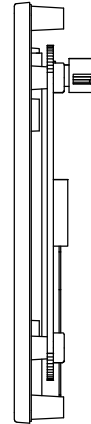
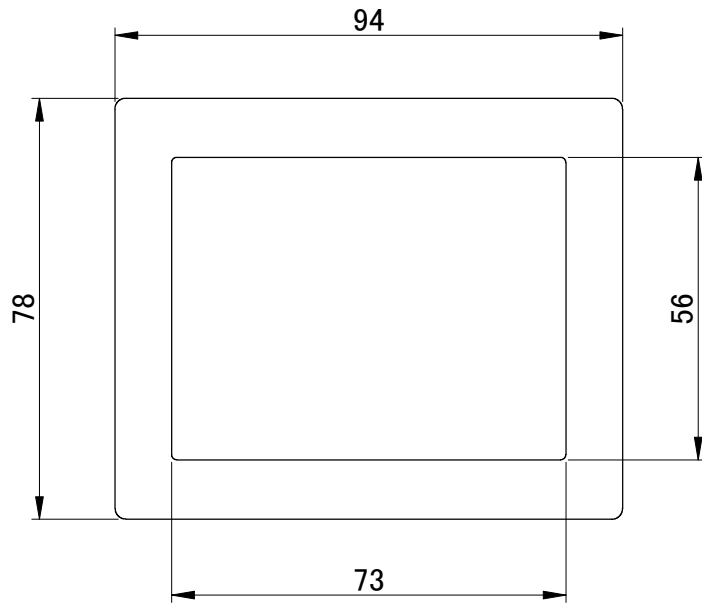
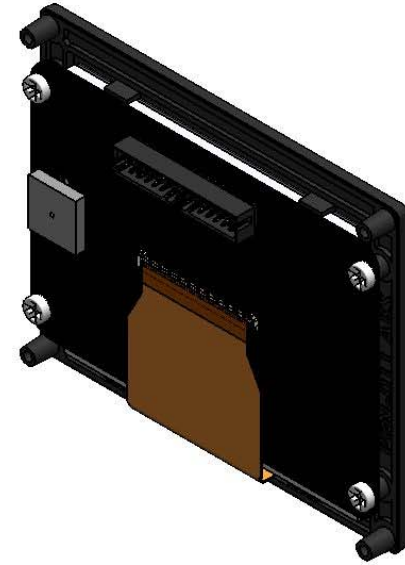
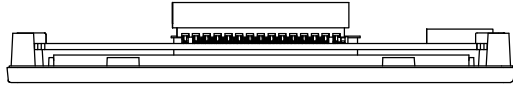


※図はパネル取り付け時のものです
This is an image of the product attached to a panel.

| | | | | |
|-------------------------------|-----|---|------------|-----------------|
| HUMANDATA [®] | | SCALE - | UNIT mm | MATERIAL |
| CHK | DWG | TITLE UTL-024 Outline Drawing | | |
| | | DRAWING NO UTL024R1-DWG-A | | REV A |



| | | | | |
|--------------------|-----|---|------------|-----------------|
| HUMANDATA ® | | SCALE — | UNIT mm | MATERIAL |
| CHK | DWG | TITLE UTL-024 Outline Drawing | | |
| | | DRAWING NO UTL024R1-DWG-A | | REV A |