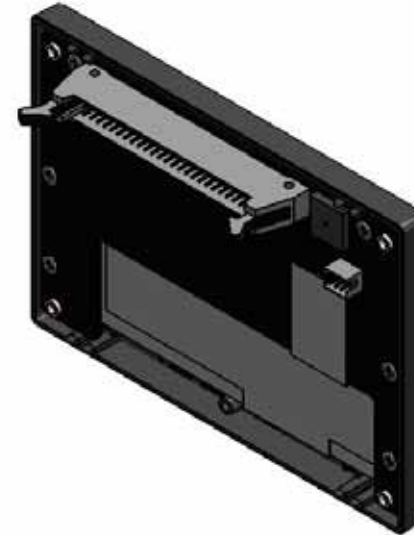
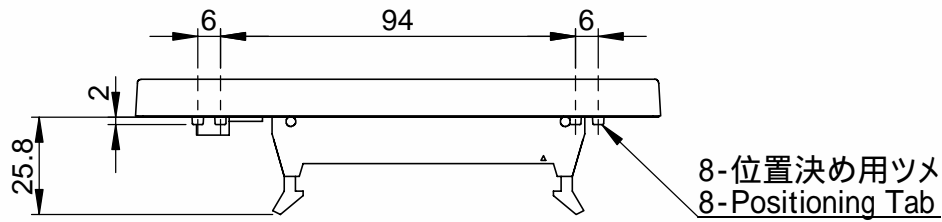
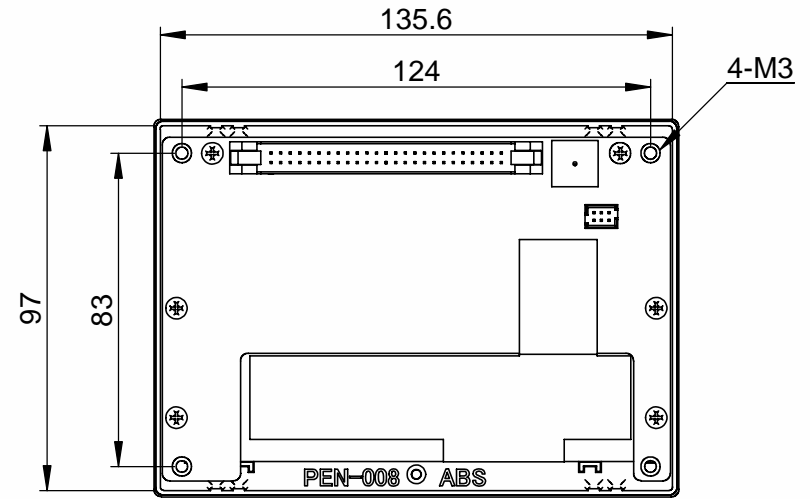
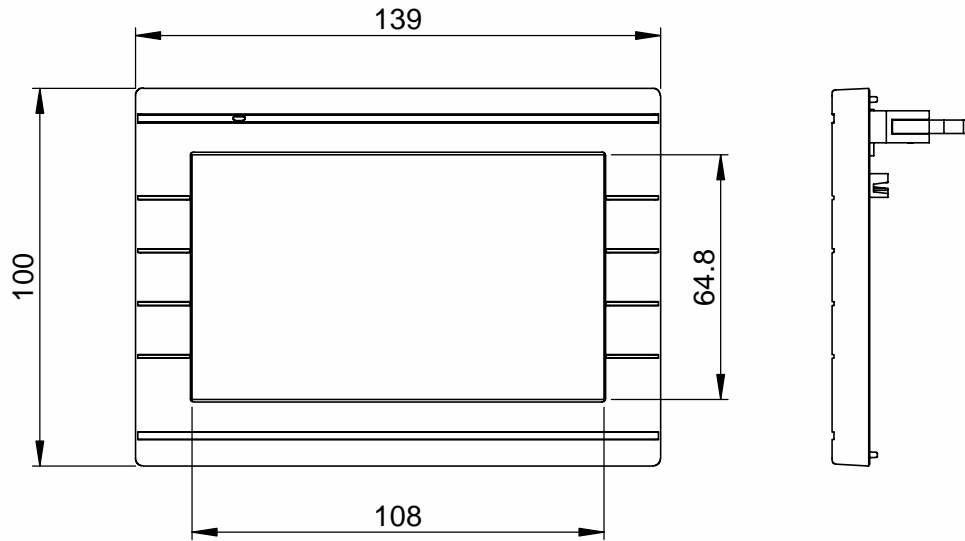


図はパネル取り付け時のものです  
This is an image of the product attached to a panel.

<b>HUMANDATA</b> <sup>®</sup>		SCALE	UNIT	MATERIAL
CHK		1:2	mm	
DWG		TITLE		
		UTL-021 Outline Drawing		
		DRAWING NO		REV
		UTL021R1-DWG-B		B



<b>HUMANDATA</b> ®		SCALE 1:2	UNIT mm	MATERIAL
CHK	DWG	TITLE UTL-021 Outline Drawing		REV
		DRAWING NO UTL021R1-DWG-B		B