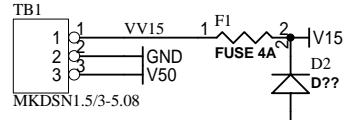
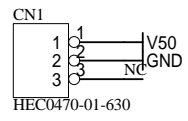
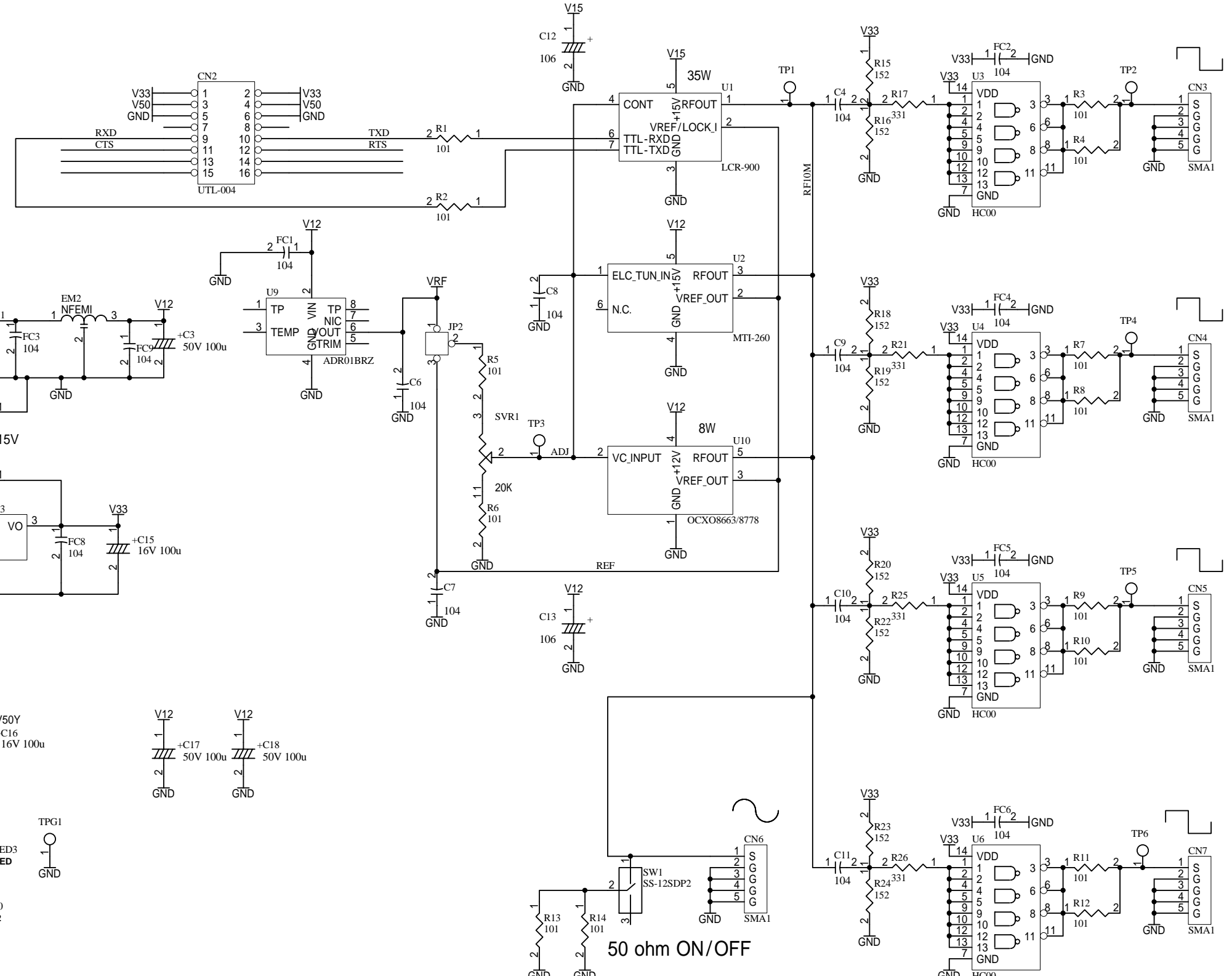
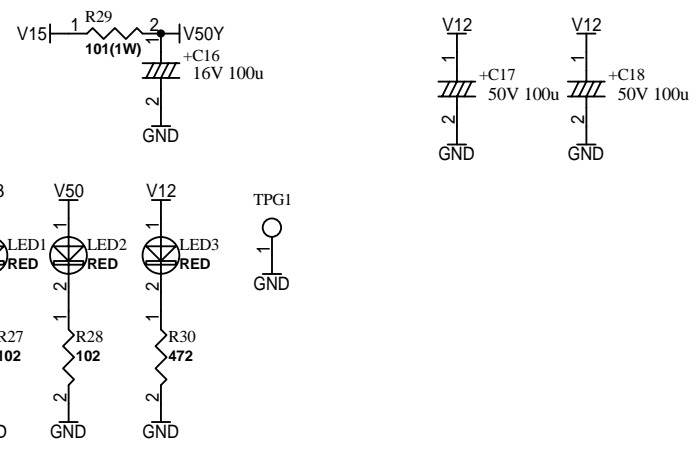
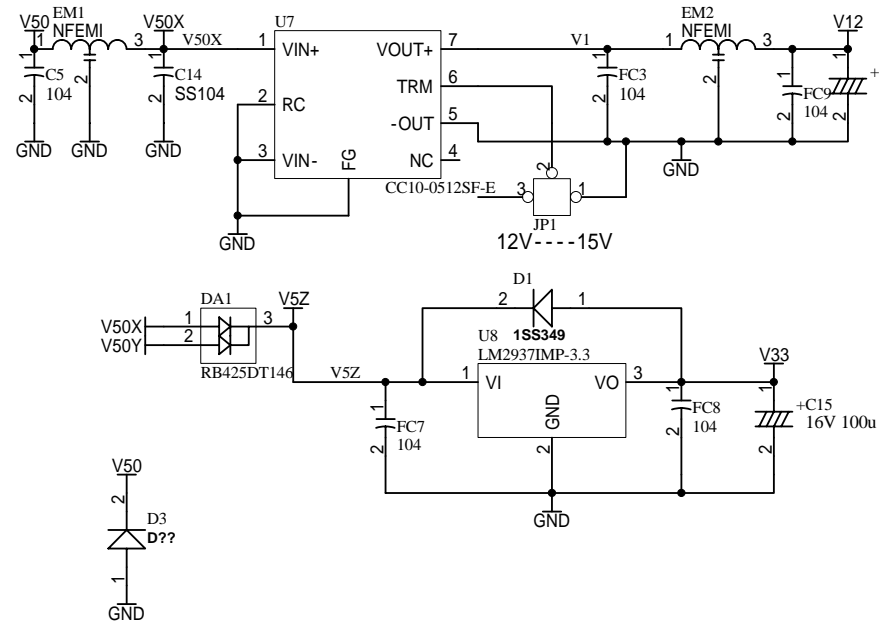


DC JACK(5V)



POWER INPUT



		2009/06/05	

HuMANDATA LTD. OSAKA JAPAN www.hdl.co.jp		OCXO BOARD	
		DOC. No.	UTL-014
Date:	5-Jun-2009 15:43:33	File:	UTL014B.sch
		Sheet	1 of 1