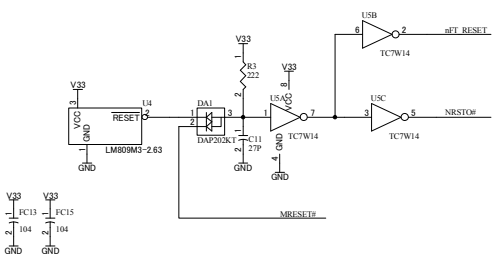
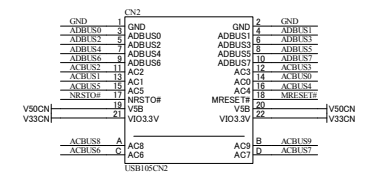
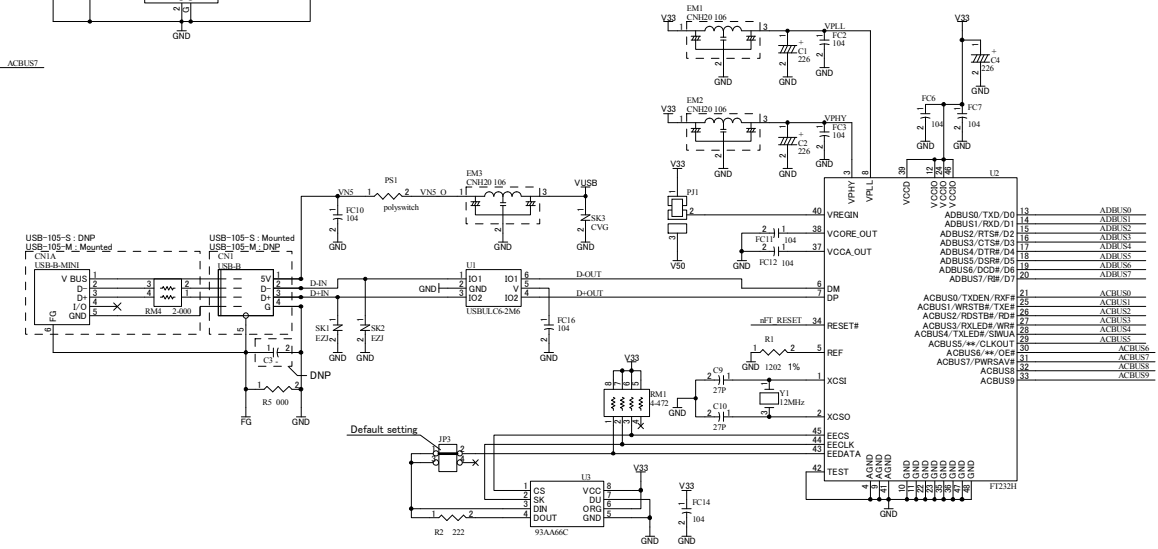
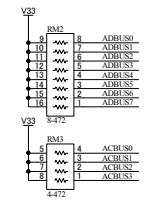
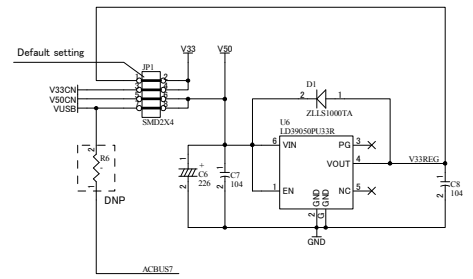
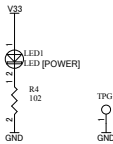


V50
V33
V33CN
V50CN
VUSB



USB105R1-SCH-B5.pdf



DSN	TITLE	FTDI FT232H Evaluation Board	
DOC No:	USB-105	B5	
FILE: USB105B.sch	DATE: 30-Jan-2018 15:35:02	Sheet	1 / 1