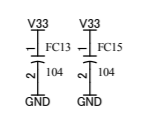
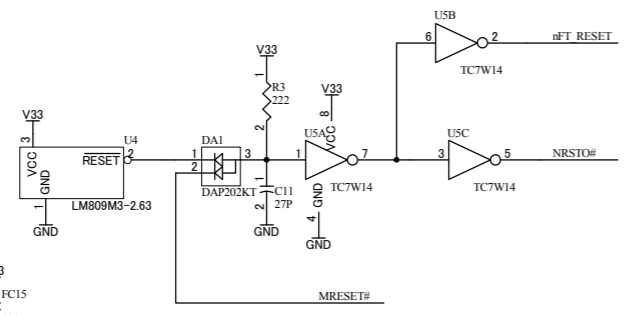
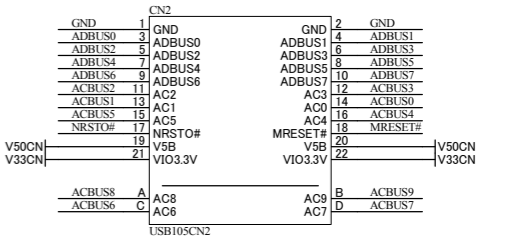
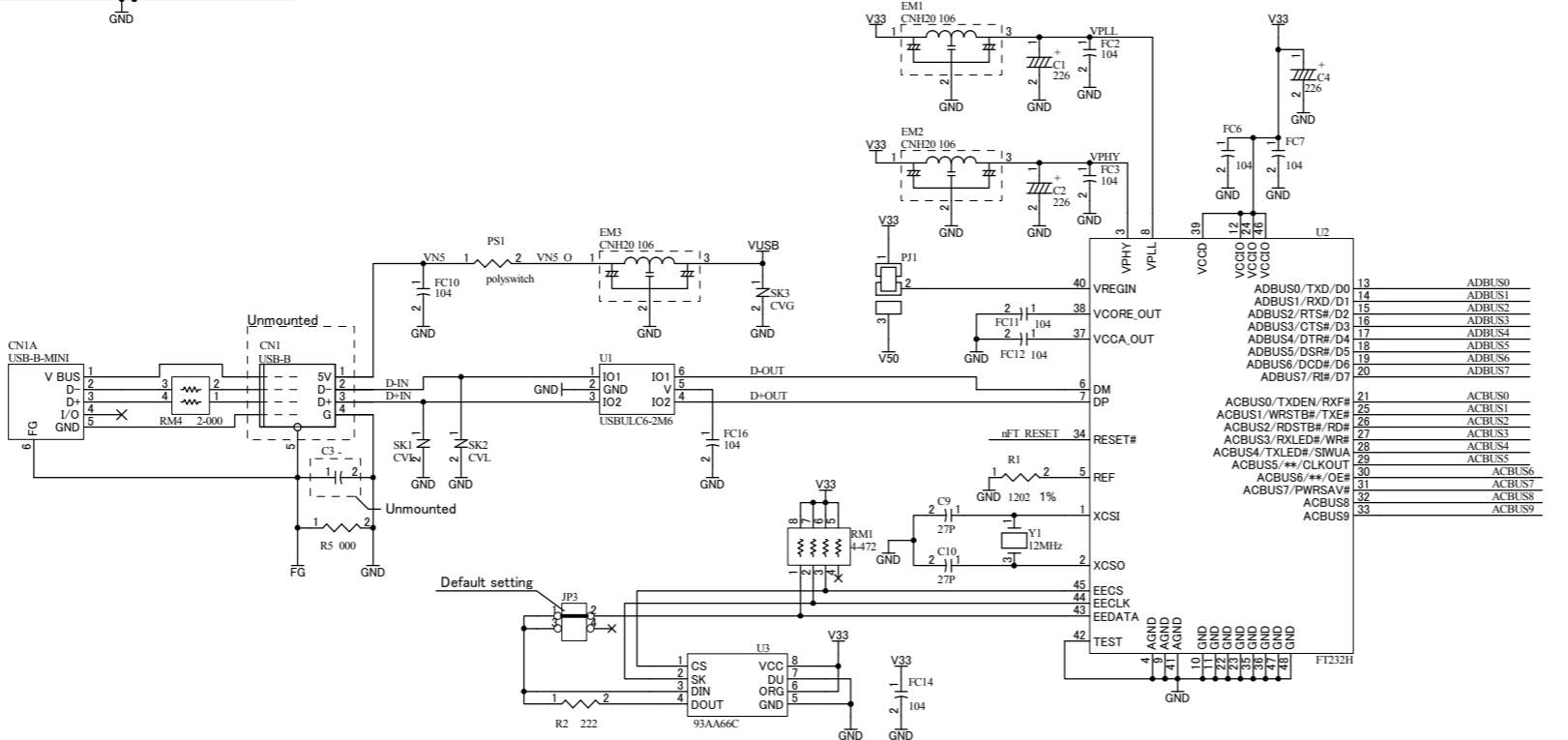
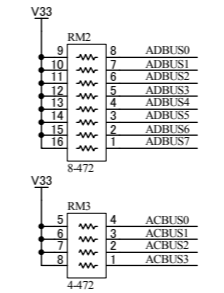
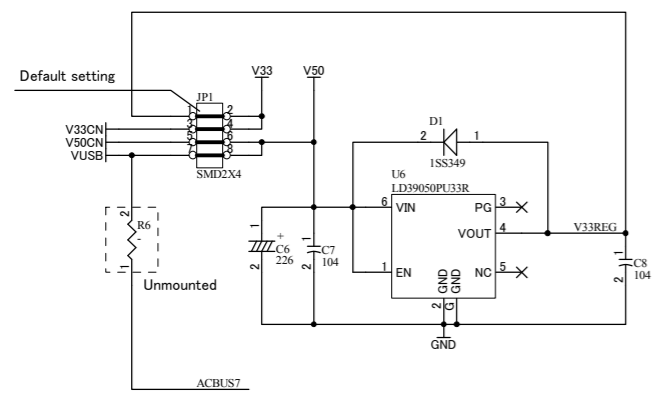
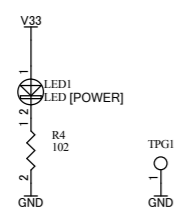


V50 V50  
 V33 V33  
 V33CN V33CN  
 V50CN V50CN  
 VUSB VUSB



USB105MR1-SCH-B3.pdf



HuMANDATA LTD.  
 OSAKA JAPAN  
[www.hdl.co.jp/en/\(Global\)](http://www.hdl.co.jp/en/(Global))  
[www.hdl.co.jp/\(Japan\)](http://www.hdl.co.jp/(Japan))

FTDI FT232H Evaluation Board

DOC. No. USB-105-M

B3

Date: 25-Nov-2011 16:58:41

File: USB105B-M.sch

Sheet 1 of 1