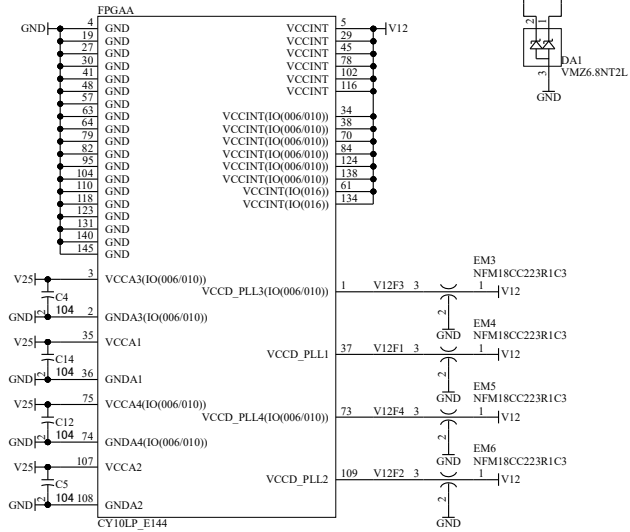
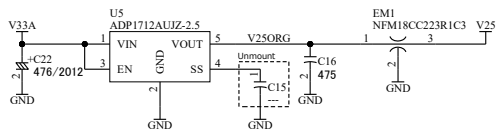
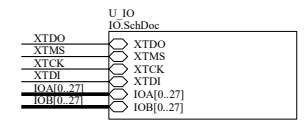
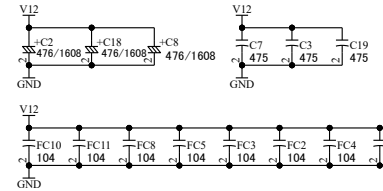
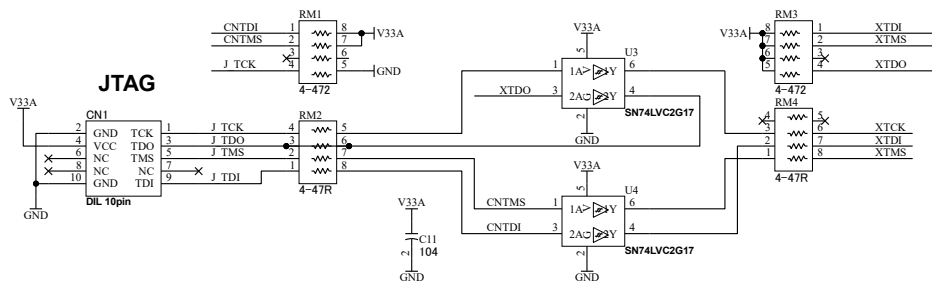


1.2V : 1-2 (FACTORY SETTING)  
1.0V : 2-3



CNA		CNB	
V33A	1	VIO(B)	1
V33	2	VIO(B)	2
V50	3	V50	3
V50	4	V50	4
GND	5	GND	5
GND	6	GND	6
IOA0	7	IOB0	7
IOA1	8	IOB1	8
IOA2	9	IOB2	9
IOA3	10	IOB3	10
IOA4	11	IOB4	11
IOA5	12	IOB5	12
IOA6	13	IOB6	13
IOA7	14	IOB7	14
GND	15	GND	15
GND	16	GND	16
IOA8	17	IOB8	17
IOA9	18	IOB9	18
IOA10	19	IOB10	19
IOA11	20	IOB11	20
IOA12	21	IOB12	21
IOA13	22	IOB13	22
IOA14	23	IOB14	23
IOA15	24	IOB15	24
GND	25	GND	25
GND	26	GND	26
IOA16	27	IOB16	27
IOA17	28	IOB17	28
IOA18	29	IOB18	29
IOA19	30	IOB19	30
IOA20	31	IOB20	31
IOA21	32	IOB21	32
IOA22	33	IOB22	33
IOA23	34	IOB23	34
GND	35	GND	35
GND	36	GND	36
IOA24	37	IOB24	37
IOA25	38	IOB25	38
IOA26	39	IOB26	39
IOA27	40	IOB27	40



ACM308R2-SCH-B2.pdf

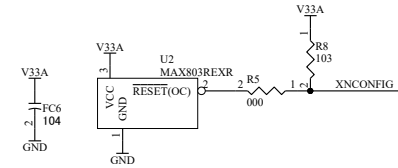
**HUMAN DATA**  
 HUMAN DATA LTD.  
[www.hdl.co.jp/ \(Japan\)](http://www.hdl.co.jp/)  
[www2.hdl.co.jp/en/ \(Global\)](http://www2.hdl.co.jp/en/)

DSN:	TITLE: Cyclone 10 LP E144 FPGA Board	<b>B2</b>
DOC. No:	<b>ACM-308</b>	
FILE: ACM308B_SchDoc	DATE: 2021/06/23 17:51:16	Sheet: 1 / 2

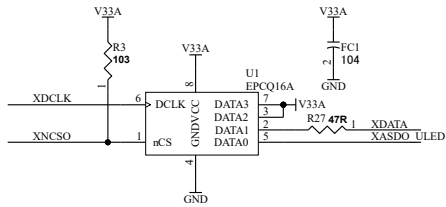
IOA[0..27]	IOA[0..27]
IOB[0..27]	IOB[0..27]
XTDO	XTMS
XTMS	XTCK
XTCK	XTDI
XTDI	

FPGA1	
GCLK30T	128
IOB1	143
IOB0	144
IOB8	132
IOB7	133
IOB6	135
IOB4	137
IOB2	142
IOB5	136
IOB3	141
VIO(B)	130
	139

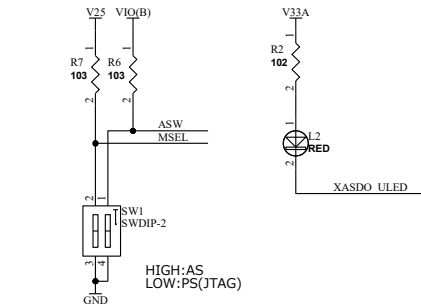
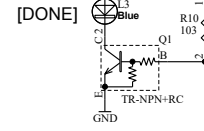
FPGA1	
IOB16	112
IOB15	113
IOB11	120
IOB10	121
IOB9	125
IOB14	114
IOB13	115
IOB17	111
IOB12	119
VIO(B)	117
	122



FPGA2	
GCLK30L	22
XASDO_ULED	6
XNCSCO	8
IOA0	10
XNSTATUS	9
XDCLK	12
XDATA	13
XNCONFIG	14
XTDI	15
XTCK	16
XTMS	18
XTDO	20
GND	21
IOA1	7
IOA2	11
V33A	17



FPGA3	
GCLK30R	90
IOA21	98
IOA20	99
IOA18	101
IOA17	103
IOA15	106
XCONFDONE	92
MSEL	94
GND	96
GND	97
IOA19	100
IOA16	105
V33A	93

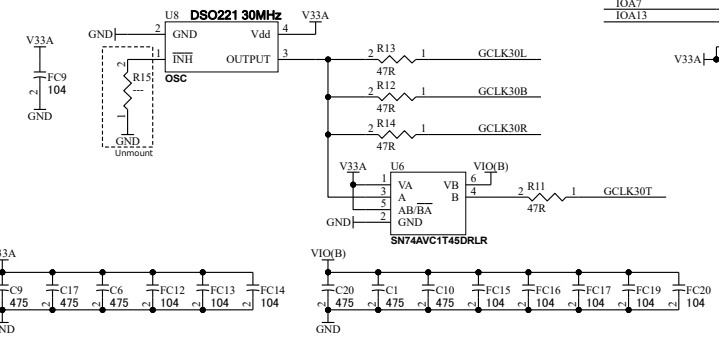


FPGA4	
IOA3	32
IOA4	33
IOA5	28
IOA6	31
V33A	26

FPGA4	
IOB18	86
IOB19	87
ASW	85
IOB21	80
IOB20	83
VIO(B)	81

FPGA5	
GCLK30B	52
IOA11	43
IOA10	44
IOA8	42
IOA9	49
IOA12	50
IOA14	51
IOA7	39
IOA13	46
V33A	40
	47

FPGA5	
IOA26	71
IOA27	72
IOB25	59
IOB24	60
IOA22	58
IOA24	68
IOA23	65
IOA25	69
VIO(B)	62
	56



ACM308R2-SCH-B2.pdf



DSN:	TITLE: Cyclone 10 LP E144 FPGA Board
DOC. No:	ACM-308
FILE: IO.SchDoc	DATE: 2021/06/23 17:51:16
Sheet: 2 / 2	B2