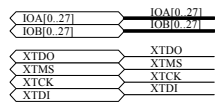


ACM308R1-SCH-B1.pdf

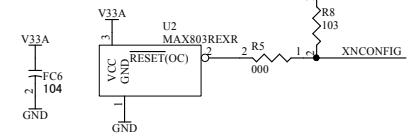


DSN:	TITLE: Cyclone 10 LP E144 FPGA Board
DOC. No:	ACM-308
FILE: ACM308B.SchDoc	DATE: 2019/09/30 9:03:51
Sheet:	1 / 2



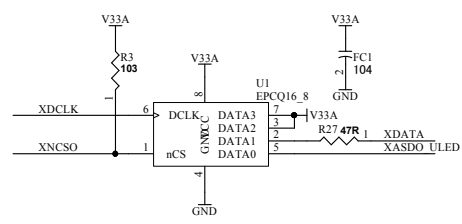
FPGA1	
GCLK30T	128
IOB1	143
IOB0	144
IOB8	132
IOB7	133
IOB6	135
IOB4	137
IOB2	142
IOB5	136
IOB3	141
VIO(B)	130
	139

FPGA1	
	126
	127
IOB16	112
IOB15	113
IOB11	120
IOB10	121
IOB9	125
IOB14	114
IOB13	115
IOB17	111
IOB12	119
VIO(B)	117
	122



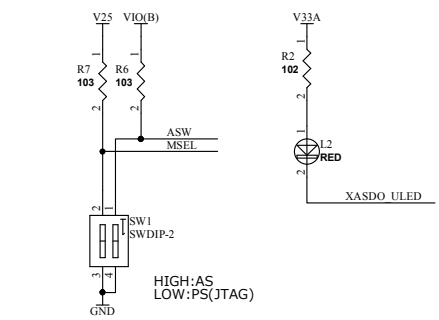
FPGA2	
GCLK30L	22
XASDO ULED	6
XNCSCO	8
IOA0	10
XNSTATUS	9
XDCLK	12
XDATA	13
XNCONFIG	14
XTDI	15
XTCK	16
XTMS	18
XTDO	20
GND	21
IOA1	7
IOA2	11
V33A	17

FPGA3	
GCLK30R	90
IOA21	98
IOA20	99
IOA18	101
IOA17	103
IOA15	106
XCONFDONE	92
MSEL	94
MSEL/B6	96
MSEL/B6	97
GND	97
IOA19	100
IOA16	105
V33A	93
VCCIO6	94



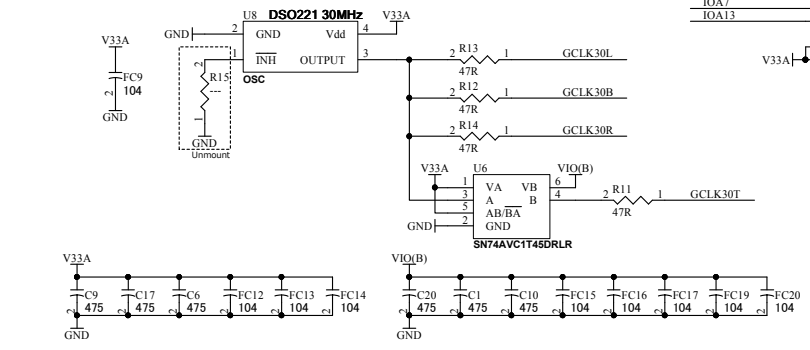
FPGA4	
GCLK30M	24
IOA3	32
IOA4	33
IOA5	28
IOA6	31
V33A	26

FPGA5	
IOB18	88
IOB19	89
ASW	85
IOB22	76
IOB23	77
IOB21	80
IOB20	83
VIO(B)	81



FPGA6	
GCLK30B	52
IOA11	43
IOA10	44
IOA8	42
IOA9	49
IOA12	50
IOA14	51
IOA7	39
IOA13	40
V33A	47

FPGA7	
IOA26	54
IOA27	55
IOB25	71
IOB24	72
IOA22	59
IOA24	60
IOA23	58
IOA25	68
VIO(B)	66
	67
IOA23	65
IOA25	69
VIO(B)	62
	56



DSN:		TITLE: Cyclone 10 LP E144 FPGA Board	
DOC. No:	ACM-308	B1	
FILE: IO_SchDoc	DATE: 2019/09/30 9:03:52	Sheet: 2 / 2	

ACM308R1-SCH-B1.pdf