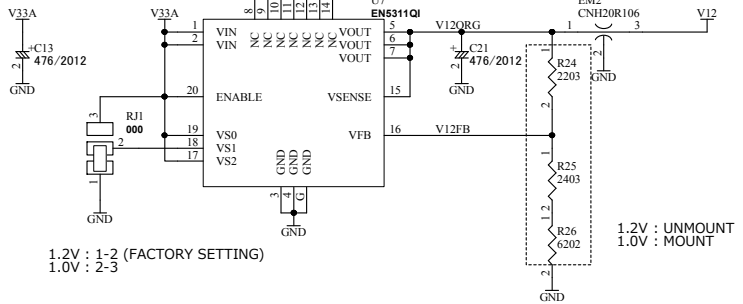
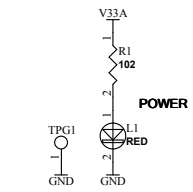
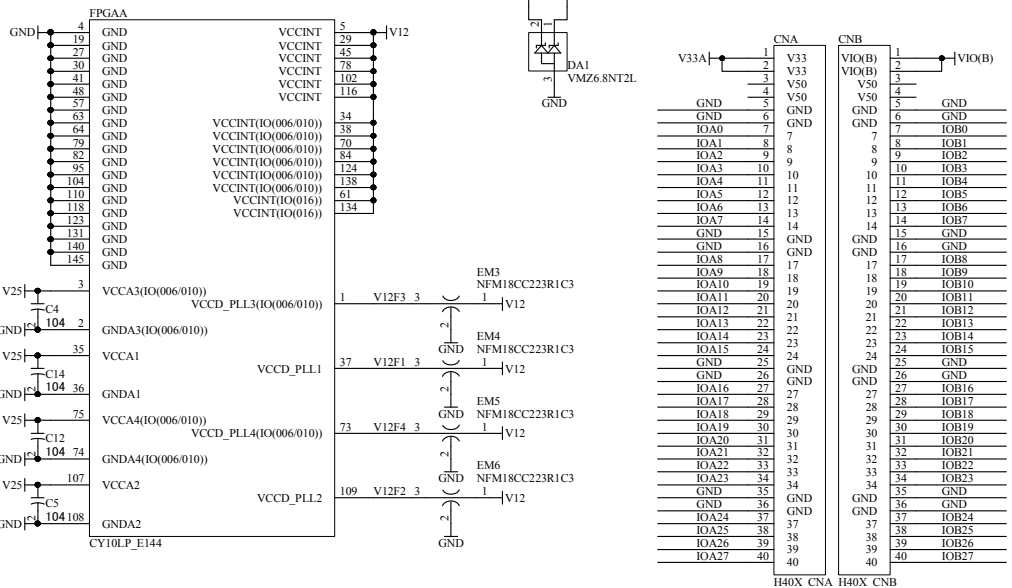
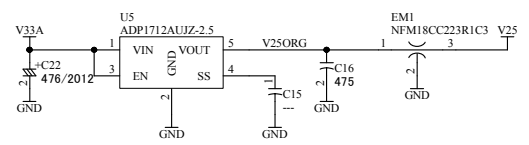


A



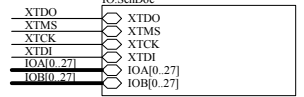
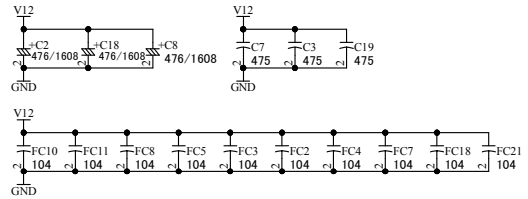
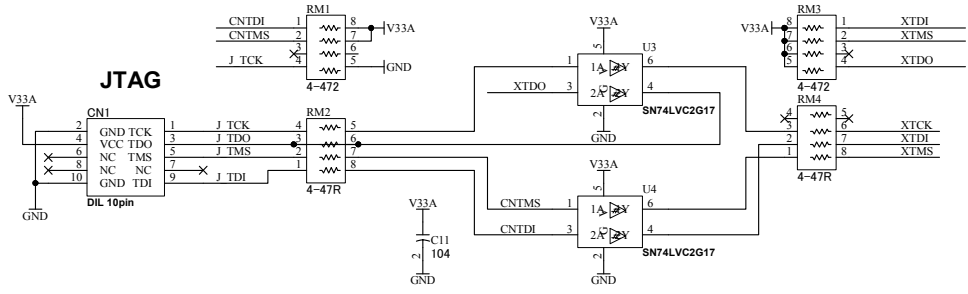
1.2V : 1-2 (FACTORY SETTING)  
1.0V : 2-3



H40X\_CNA H40X\_CNB

B

C



D

ACM308R1-SCH-B.pdf

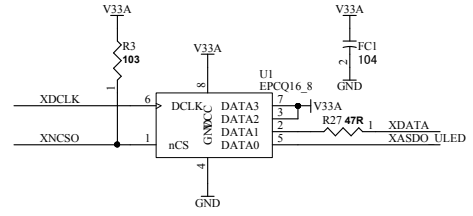
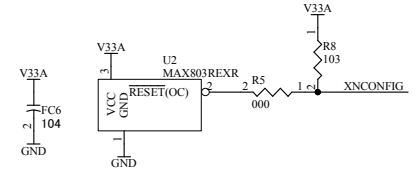


DSN:	TITLE: Cyclone 10 LP E144 FPGA Board
DOC. No: <b>ACM-308</b>	<b>B</b>
FILE: ACM308B.SchDoc	DATE: 2019/01/24 16:37:47
Sheet: 1 / 2	

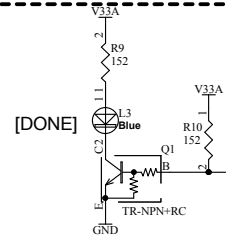
IOA[0..27]	IOB[0..27]
XTDO	XTDO
XTMS	XTMS
XTCK	XTCK
XTDI	XTDI

FPGA I	
GCLK30T	128 129
IOB1	143
IOB0	144
IOB8	132
IOB7	133
IOB6	135
IOB4	137
IOB2	142
IOB5	136
IOB3	141
VIO(B)	130 139

FPGA H	
IOB16	112
IOB15	113
IOB11	120
IOB10	121
IOB9	125
IOB14	114
IOB13	115
IOB17	111
IOB12	119
VIO(B)	117 122



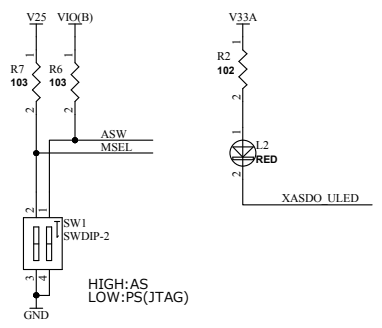
FPGA B	
GCLK30L	22 23
XASDO ULED	6
XNCSO	8
IOA0	10
XNSTATUS	9
XDCLK	12
XDATA	13
XNCONFIG	14
XTDI	15
XTCK	16
XTMS	18
XTDO	20
GND	21
IOA1	7
IOA2	11
V33A	17



FPGA G	
GCLK30R	90 91
IOA21	98
IOA20	99
IOA18	101
IOA17	103
IOA15	106
XCONFDONE	92
MSEL	GND
MSEL/B6	94
MSEL1/B6	97
MSEL2/B6	96
IOA19	100
IOA16	105
V33A	93
VCCIO6	96

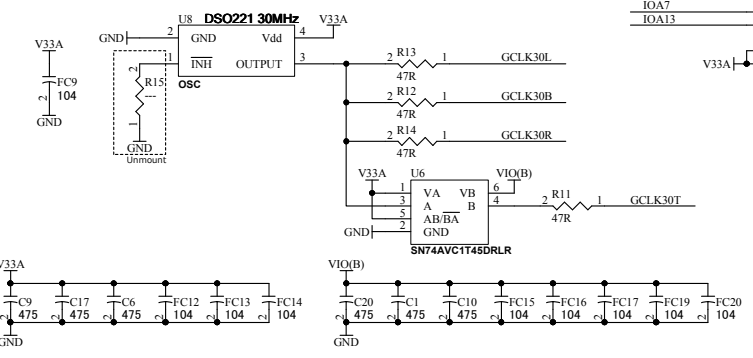
FPGA C	
IOA3	32
IOA4	33
IOA5	28
IOA6	31
V33A	26

FPGA F	
IOB18	88
IOB19	89
ASW	85
IOB22	76
IOB23	77
IOB21	80
IOB20	83
VIO(B)	81



FPGA D	
GCLK30B	52 53
IOA11	43
IOA10	44
IOA8	42
IOA9	49
IOA12	50
IOA14	51
IOA7	39
IOA13	46
V33A	40

FPGA E	
IOA26	54
IOA27	55
IOB25	59
IOB24	60
IOA22	58
IOA24	68
IOA23	66
IOA25	67
IOA26	65
IOA25	69
VIO(B)	62 66



ACM308R1-SCH-B.pdf



DSN:		TITLE: Cyclone 10 LP E144 FPGA Board
DOC. No:		<b>ACM-308</b>
FILE: IO.Sch.Doc		DATE: 2019/01/24 16:37:48
Sheet:		<b>B</b>
V5.20150107		