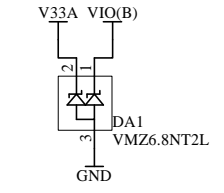
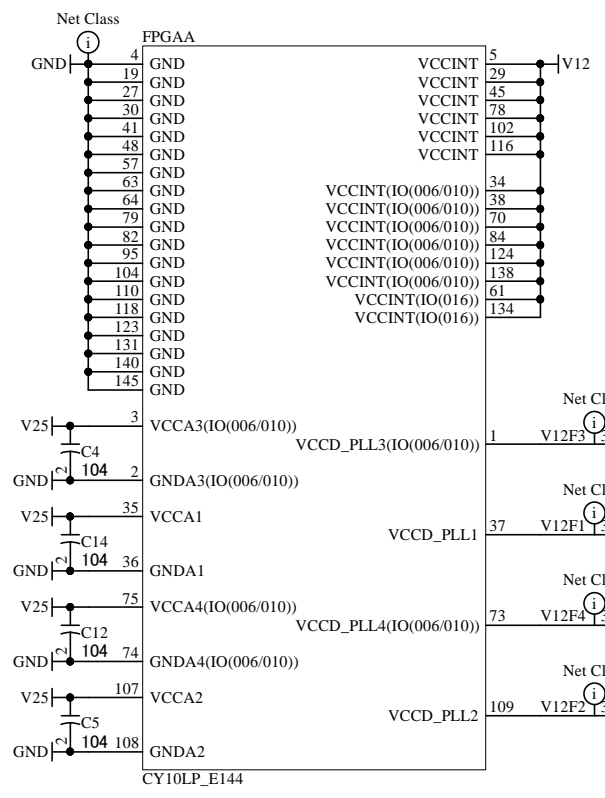
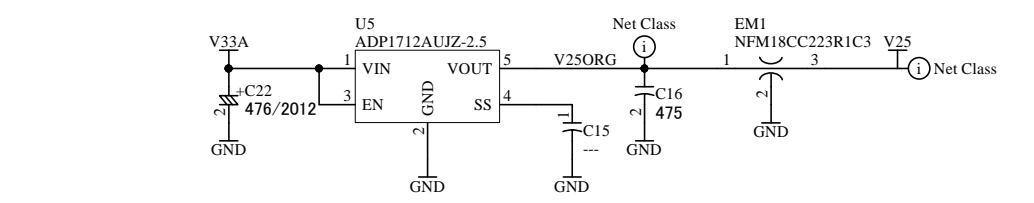
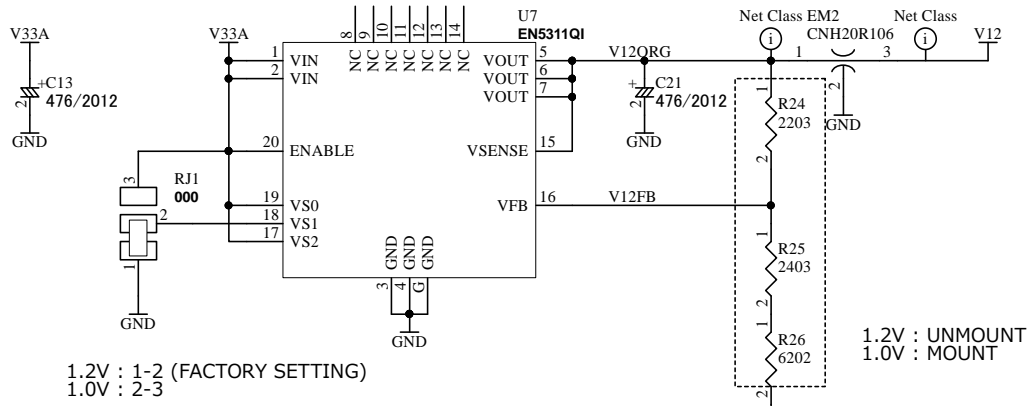
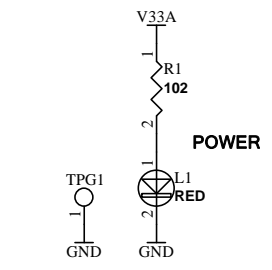
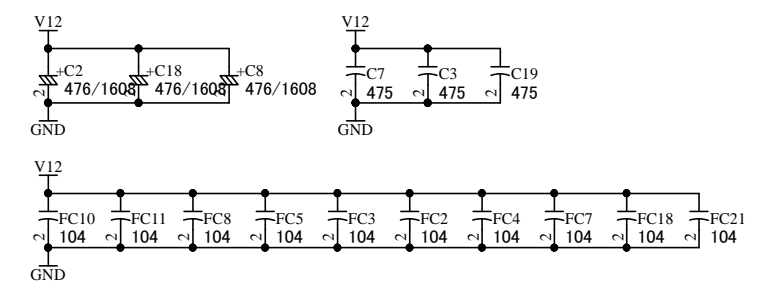
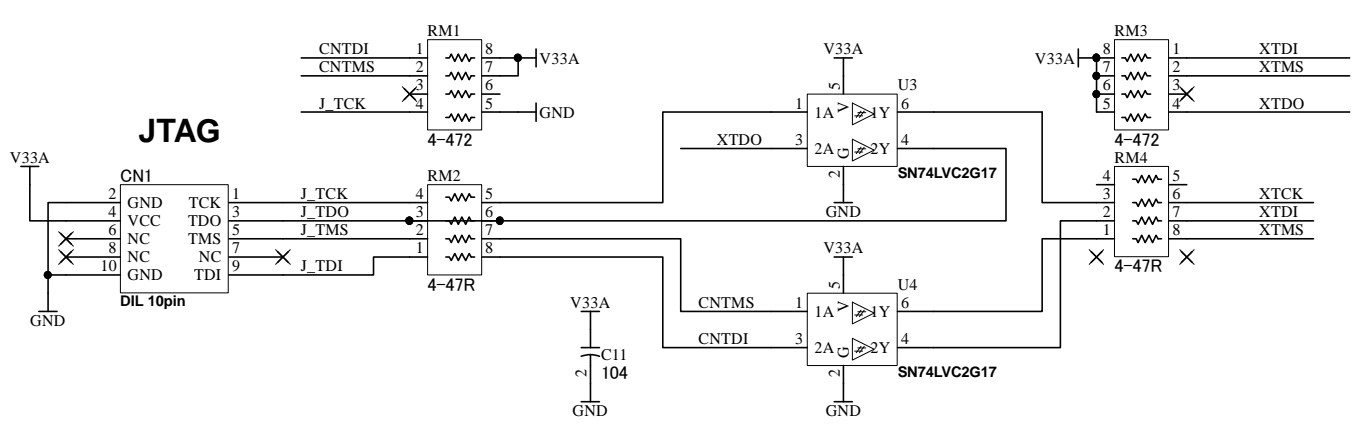


A



Net Class CNA		Net Class CNB	
V33A	1	VIO(B)	1
V33	2	VIO(B)	2
V50	3	VIO(B)	3
V50	4	GND	4
V50	5	GND	5
GND	6	GND	6
GND	7	GND	7
IOA0	8	IOB0	8
IOA1	9	IOB1	9
IOA2	10	IOB2	10
IOA3	11	IOB3	11
IOA4	12	IOB4	12
IOA5	13	IOB5	13
IOA6	14	IOB6	14
IOA7	15	IOB7	15
GND	16	GND	16
GND	17	GND	17
IOA8	18	IOB8	18
IOA9	19	IOB9	19
IOA10	20	IOB10	20
IOA11	21	IOB11	21
IOA12	22	IOB12	22
IOA13	23	IOB13	23
IOA14	24	IOB14	24
IOA15	25	IOB15	25
GND	26	GND	26
GND	27	GND	27
IOA16	28	IOB16	28
IOA17	29	IOB17	29
IOA18	30	IOB18	30
IOA19	31	IOB19	31
IOA20	32	IOB20	32
IOA21	33	IOB21	33
IOA22	34	IOB22	34
IOA23	35	IOB23	35
GND	36	GND	36
GND	37	GND	37
IOA24	38	IOB24	38
IOA25	39	IOB25	39
IOA26	40	IOB26	40
IOA27	41	IOB27	41

B



U_IO IO.SchDoc	
XTDO	XTDO
XTMS	XTMS
XTCK	XTCK
XTDI	XTDI
IOA[0..27]	IOA[0..27]
IOB[0..27]	IOB[0..27]

C

D

ACM308R1-SCH-A.pdf



DSN:	TITLE: Cyclone 10 LP E144 FPGA Board
DOC. No:	ACM-308
FILE: ACM308.SchDoc	DATE: 2017/10/18 10:19:27
Sheet:	A
V5.20150107	

IOA[0..27]	IOA[0..27]
IOB[0..27]	IOB[0..27]
XTDO	XTDO
XTMS	XTMS
XTCK	XTCK
XTDI	XTDI

FPGA I	
GCLK30T	128
	129
IOB1	143
IOB0	144
IOB8	132
IOB7	133
IOB6	135
IOB4	137
IOB2	142
IOB5	136
IOB3	141
VIO(B)	130
	139
	VCCIO8
	VCCIO8
	CY10LP_E144

FPGA H	
IOB16	112
IOB15	113
IOB11	120
IOB10	121
IOB9	125
IOB14	114
IOB13	115
IOB17	111
IOB12	119
VIO(B)	117
	122
	VCCIO7
	VCCIO7
	CY10LP_E144

FPGA B	
GCLK30L	22
	23
XASDO_ULED	6
XNCSCO	8
IOA0	10
XNSTATUS	9
XDCLK	12
XDATA	13
XNCONFIG	14
XTDI	15
XTCK	16
XTMS	18
XTDO	20
GND	21
IOA1	7
IOA2	11
VIO(B)	17
	VCCIO1
	VCCIO1
	CY10LP_E144

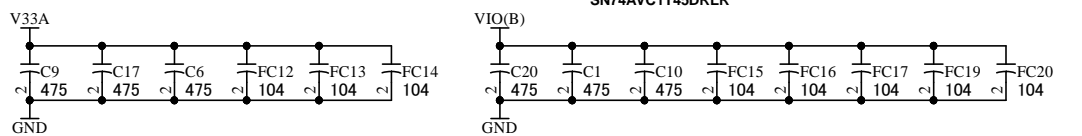
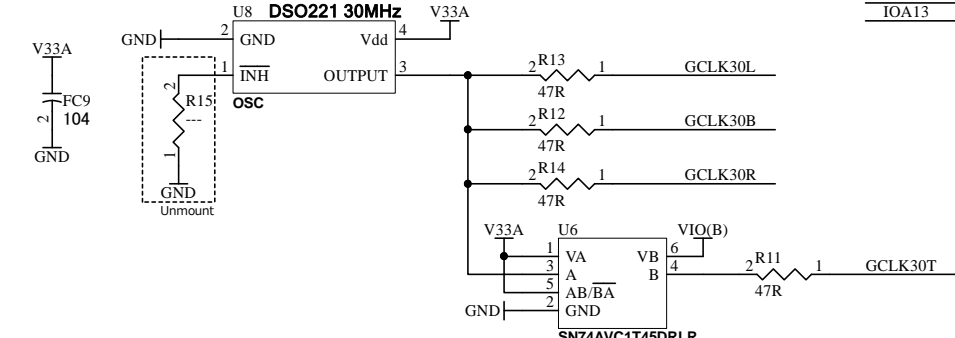
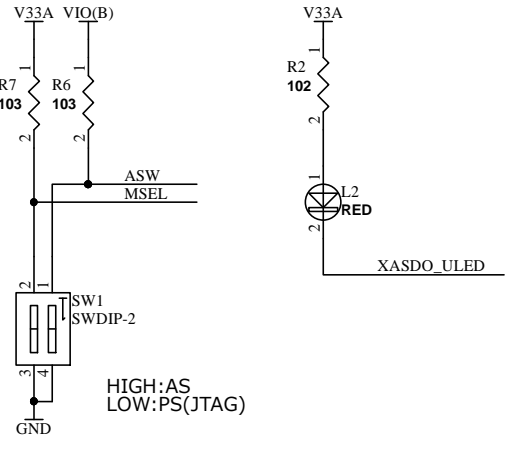
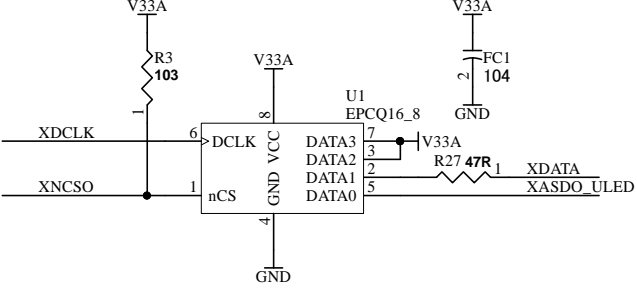
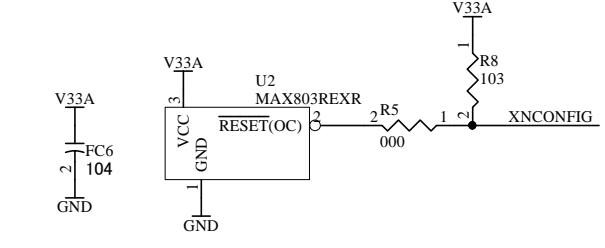
FPGA G	
GCLK30R	90
	91
IOA21	98
IOA20	99
IOA18	101
IOA17	103
IOA15	106
XCONFDONE	92
MSEL	94
	96
	97
IOA19	100
IOA16	105
VIO(B)	93
	VCCIO6
	VCCIO6
	CY10LP_E144

FPGA C	
GCLK30B	24
	25
IOA3	32
IOA4	33
IOA5	28
IOA6	31
VIO(B)	26
	VCCIO2
	VCCIO2
	CY10LP_E144

FPGA F	
IOB18	86
IOB19	87
ASW	85
IOB22	76
IOB23	77
IOB21	80
IOB20	83
VIO(B)	81
	VCCIO5
	VCCIO5
	CY10LP_E144

FPGA D	
GCLK30B	52
	53
IOA11	43
IOA10	44
IOA8	42
IOA9	49
IOA12	50
IOA14	51
IOA7	39
IOA13	46
VIO(B)	40
	47
	VCCIO3
	VCCIO3
	CY10LP_E144

FPGA E	
IOA26	71
IOA27	72
IOB25	59
IOB24	60
IOA22	58
IOA24	68
IOA23	65
IOA25	69
VIO(B)	62
	56
	VCCIO4
	VCCIO4
	CY10LP_E144



DSN:	TITLE: Cyclone 10 LP E144 FPGA Board
DOC. No:	ACM-308
FILE: IO.SchDoc	DATE: 2017/10/18 10:19:28
Sheet: 2 / 2	A