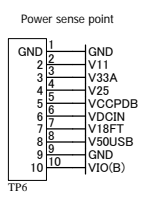
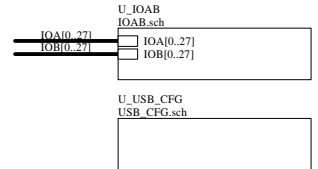
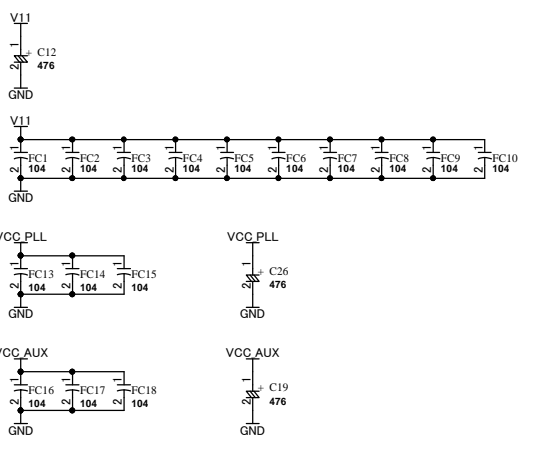
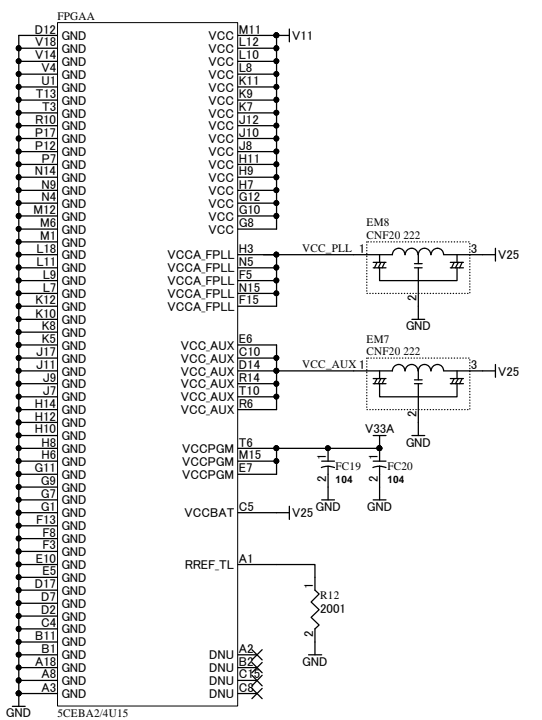
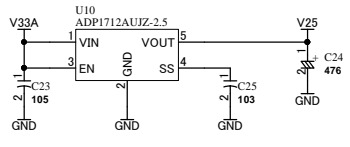
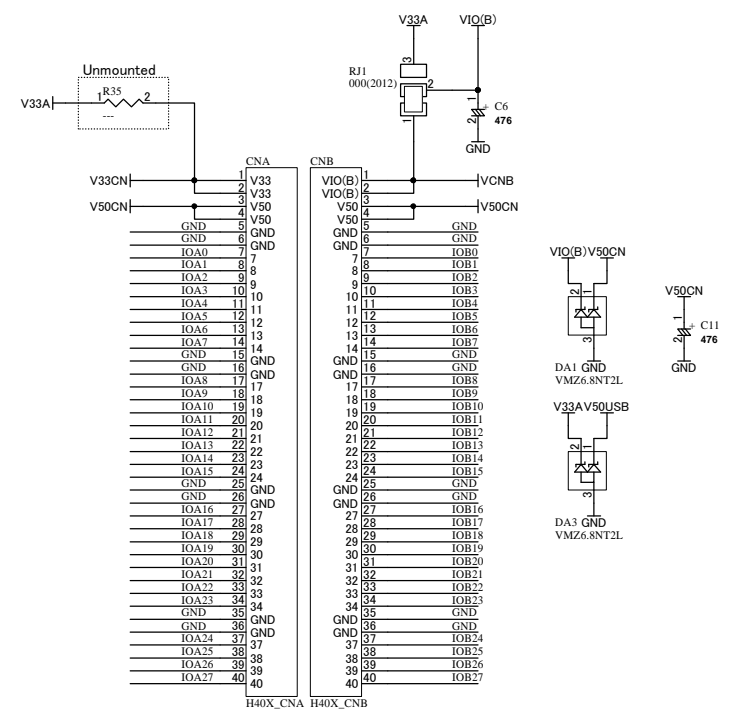
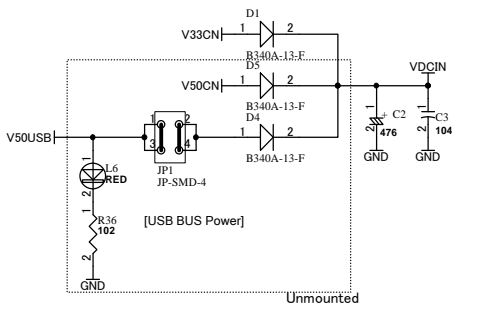
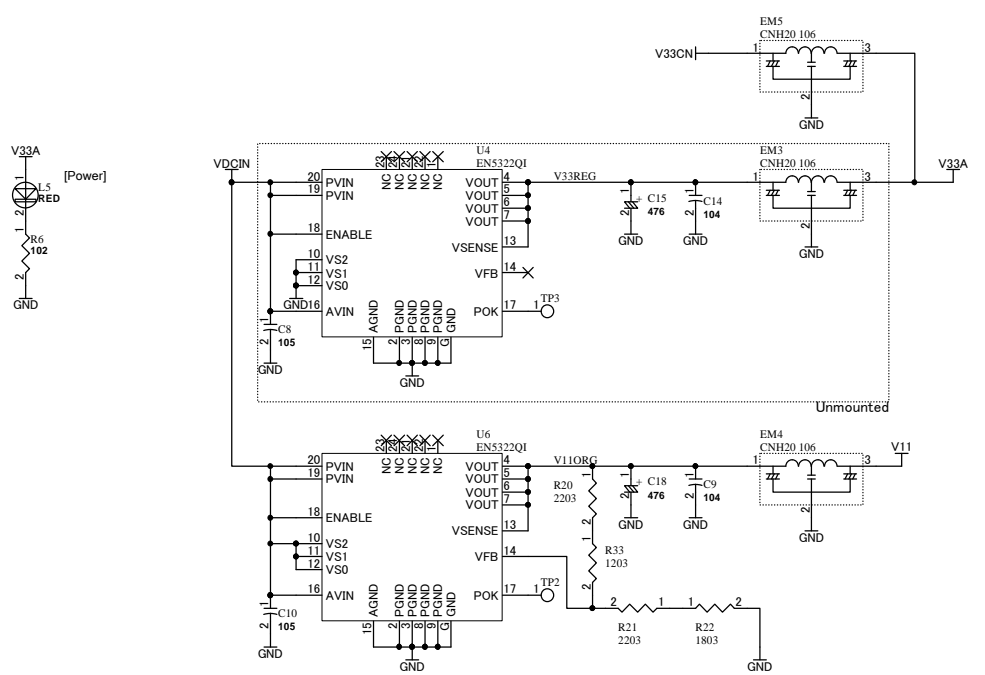
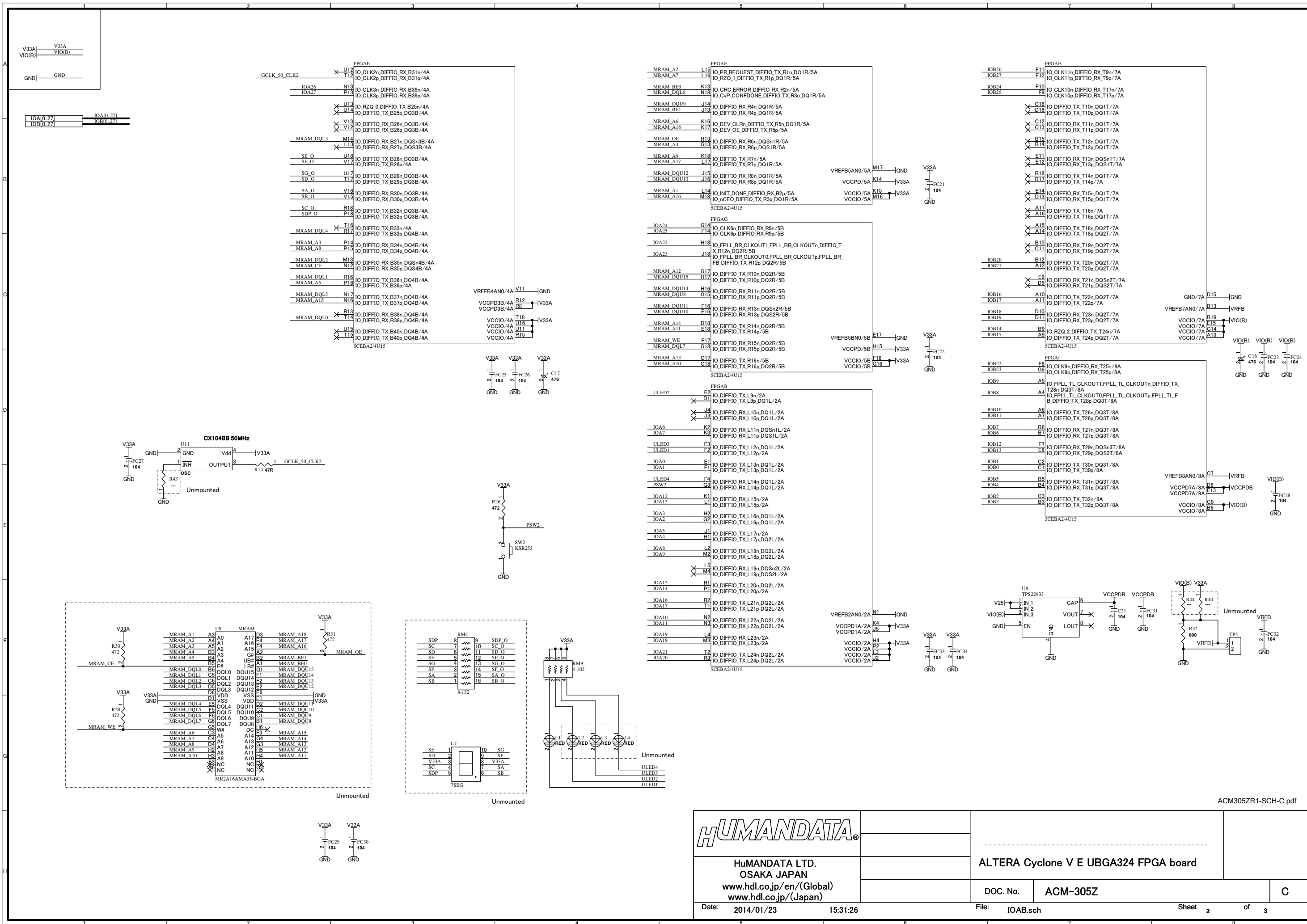


V50CN	V50CN
V33CN	V33CN
V50USB	V50USB
V33A	V33A
VIO(B)	VIO(B)
V25	V25
V11	V11
GND	GND



ACM305ZR1-SCH-C.pdf

		ALTERA Cyclone V E UBGA324 FPGA board	
Date: 2014/01/23 15:31:26	File: ACM305C.sch	Sheet 1 of 3	C



ACM305ZR1-SCH-C.pdf



HuMANDATA LTD.
OSAKA JAPAN
www.hdl.co.jp/en/(Global)
www.hdl.co.jp/(Japan)

ALTERA Cyclone V E UBG324 FPGA board

DOC. No.	ACM-305Z	C
----------	----------	---

Date:	2014/01/23	15:31:26	File:	IOAB.sch	Sheet	2	of	3
-------	------------	----------	-------	----------	-------	---	----	---

