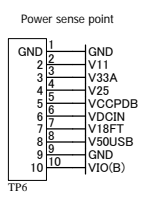
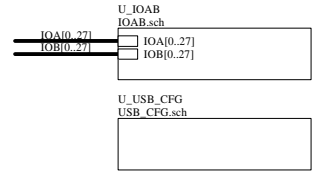
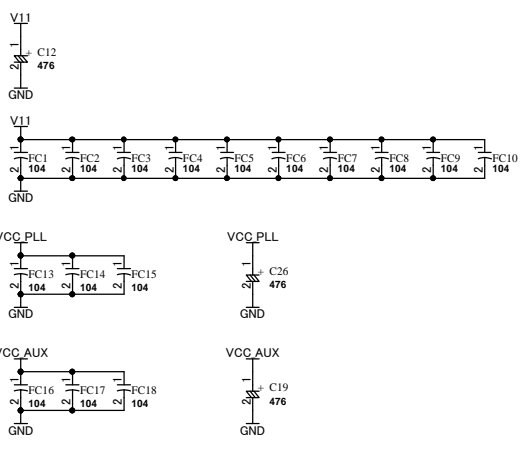
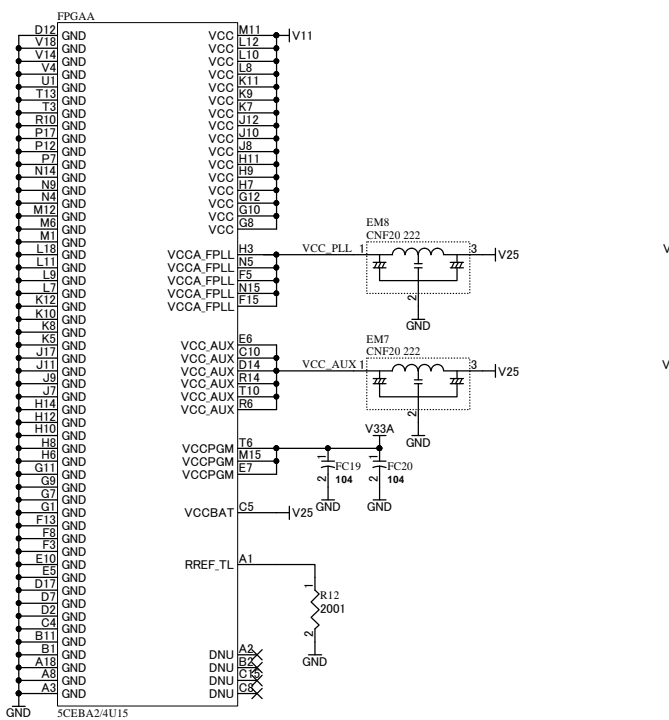
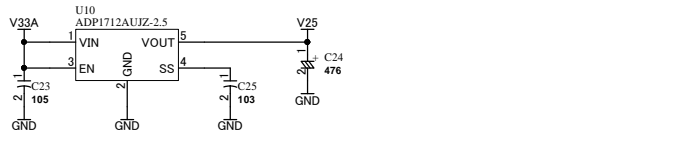
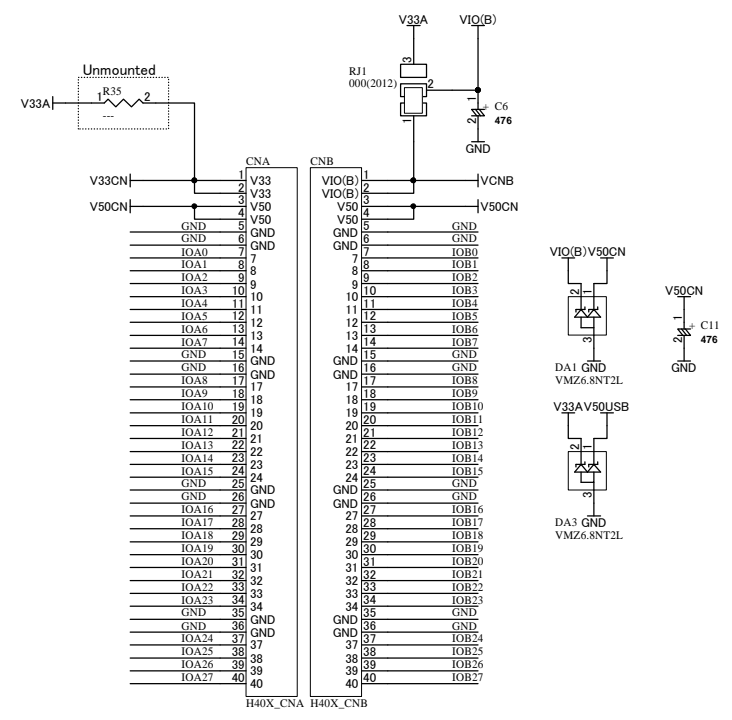
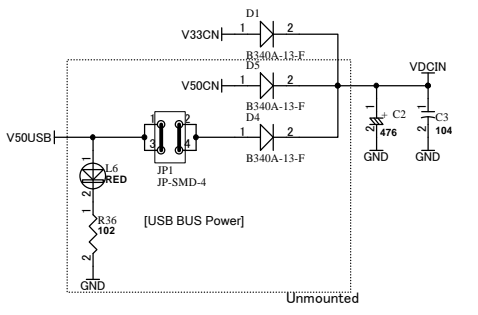
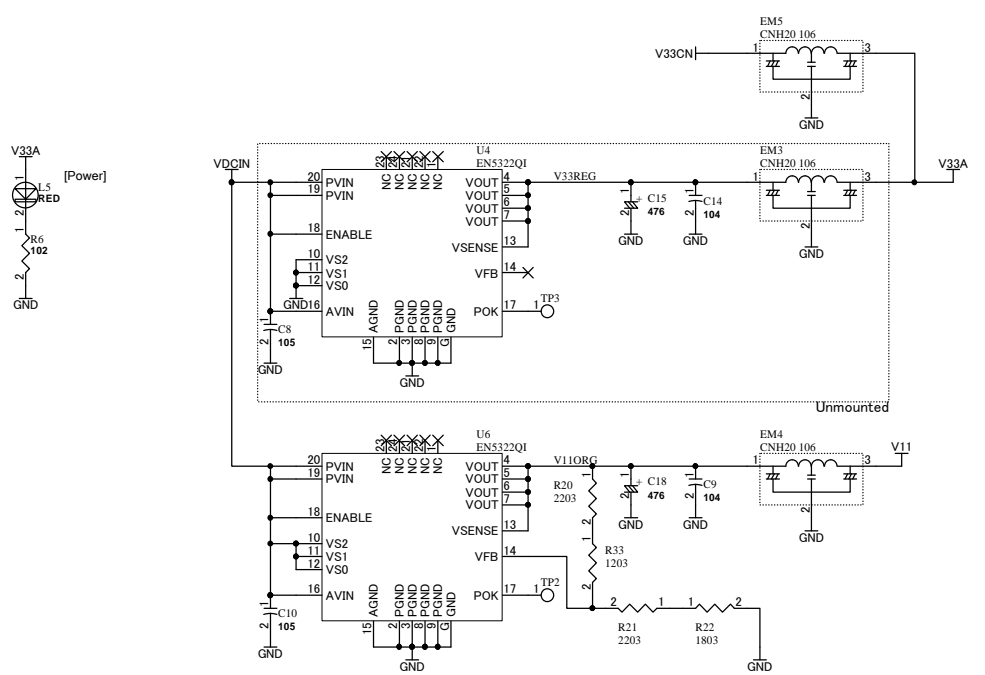
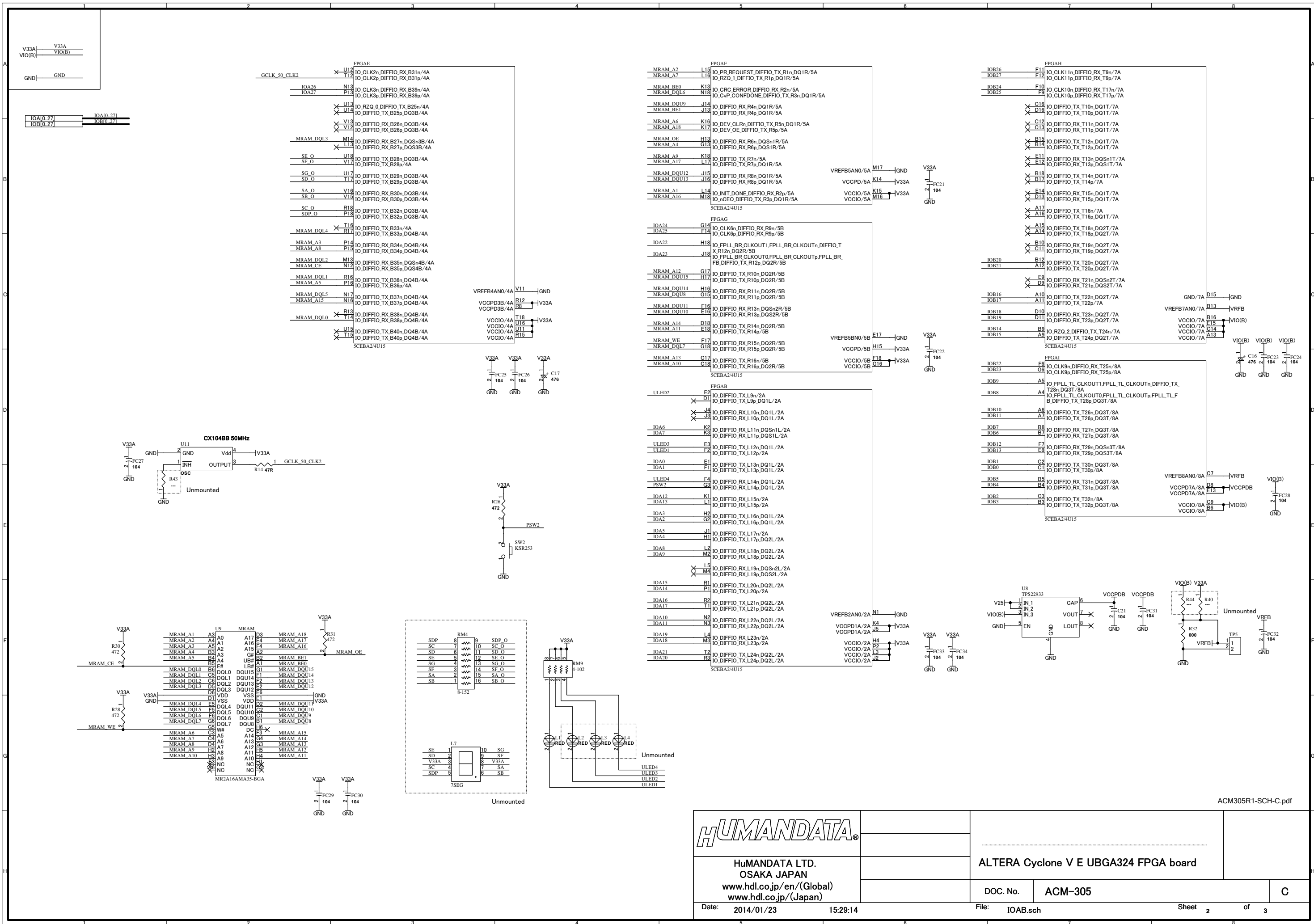


V50CN	V50CN
V33CN	V33CN
V50USB	V50USB
V33A	V33A
VIO(B)	VIO(B)
V25	V25
V11	V11
GND	GND



ACM305R1-SCH-C.pdf

		<b>ALTERA Cyclone V E UBGA324 FPGA board</b>	
Date: 2014/01/23 15:29:13	File: ACM305C.sch	Sheet 1 of 3	<b>C</b>



ACM305R1-SCH-C.pdf



HuMANDATA LTD.  
OSAKA JAPAN  
www.hdl.co.jp/en/(Global)  
www.hdl.co.jp/(Japan)

ALTERA Cyclone V E UBG324 FPGA board

DOC. No. ACM-305

C

Date: 2014/01/23 15:29:14 File: IOAB.sch Sheet 2 of 3

