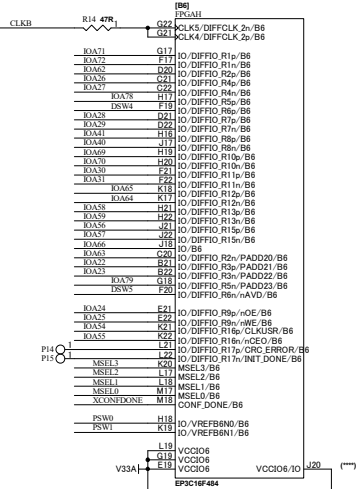
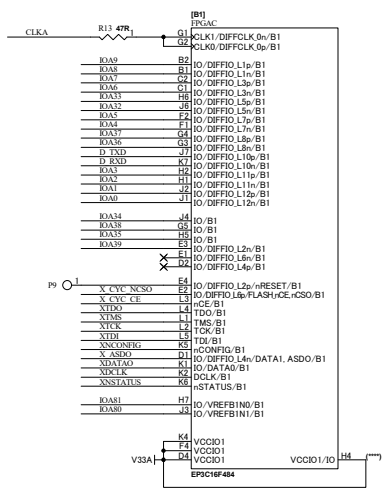


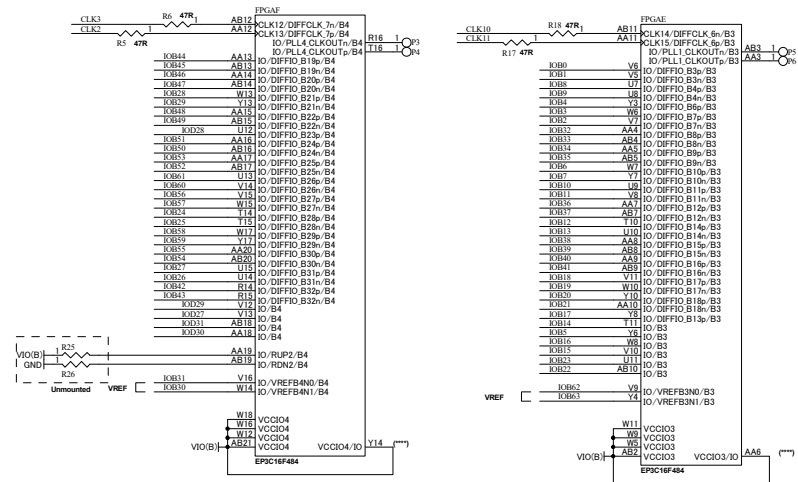


V12	V12
V12D	V12D
V25	V25
V33A	V33A
W0(B)	VIR(B)
W0(C)	VIR(C)
W0(D)	GND

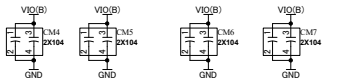


VIO(B) VIO(B)  
VIO(C) VIO(C)  
GND GND

IOB0_63	IOB0_63
IOB0_64	IOB0_64
IOB0_65	IOB0_65
IOB0_66	IOB0_66
IOB0_67	IOB0_67
IOB0_68	IOB0_68
IOB0_69	IOB0_69
IOB0_70	IOB0_70
IOB0_71	IOB0_71
IOB0_72	IOB0_72
IOB0_73	IOB0_73
IOB0_74	IOB0_74
IOB0_75	IOB0_75
IOB0_76	IOB0_76
IOB0_77	IOB0_77
IOB0_78	IOB0_78
IOB0_79	IOB0_79
IOB0_80	IOB0_80
IOB0_81	IOB0_81
IOB0_82	IOB0_82
IOB0_83	IOB0_83
IOB0_84	IOB0_84
IOB0_85	IOB0_85
IOB0_86	IOB0_86
IOB0_87	IOB0_87
IOB0_88	IOB0_88
IOB0_89	IOB0_89
IOB0_90	IOB0_90
IOB0_91	IOB0_91
IOB0_92	IOB0_92
IOB0_93	IOB0_93
IOB0_94	IOB0_94
IOB0_95	IOB0_95
IOB0_96	IOB0_96
IOB0_97	IOB0_97
IOB0_98	IOB0_98
IOB0_99	IOB0_99
IOB0_100	IOB0_100



These pins are connected to VCCIO. You need to set them as INFLUT.



**BANK Group-B**  
**BANK Group-C**

