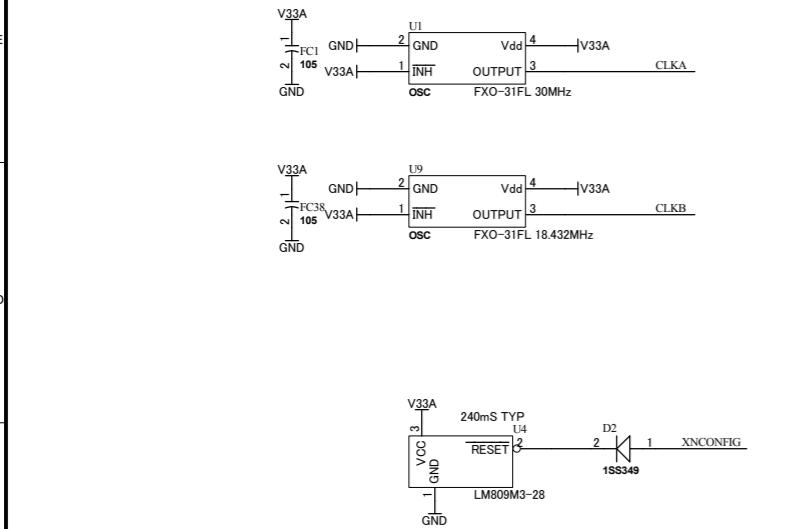
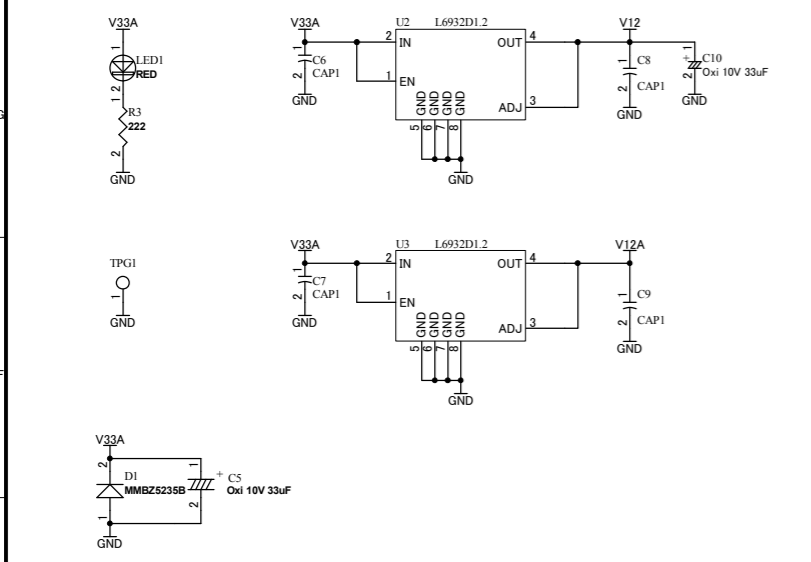


V12	V12
V12A	V12A
V33A	V33A
VIO(B)	VIO(B)
VIO(C)	VIO(C)
GND	GND



A12	GND	VCCINT	K10
A15	GND	VCCINT	K11
A2	GND	VCCINT	K12
A25	GND	VCCINT	K13
AB11	GND	VCCINT	K14
AB16	GND	VCCINT	K15
AB19	GND	VCCINT	L11
AB7	GND	VCCINT	L16
AC4	GND	VCCINT	L17
AD14	GND	VCCINT	L18
AD18	GND	VCCINT	M10
AE9	GND	VCCINT	M11
AE1	GND	VCCINT	M16
AE26	GND	VCCINT	M17
AF12	GND	VCCINT	N10
AF15	GND	VCCINT	N17
AF2	GND	VCCINT	P10
AF25	GND	VCCINT	R10
B1	GND	VCCINT	R11
B26	GND	VCCINT	R16
C14	GND	VCCINT	T11
C18	GND	VCCINT	T16
D4	GND	VCCINT	U11
E11	GND	VCCINT	U13
E16	GND	VCCINT	U14
E19	GND	VCCINT	U16
E7	GND	VCCINT	V16
H12	GND	VCCINT/IO	H10
H13	GND	VCCINT/IO	H11
H22	GND	VCCINT/IO	H15
H5	GND	VCCINT/IO	H19
K20	GND	VCCINT/IO	H19
L12	GND	VCCINT/IO	H19
L13	GND	VCCINT/IO	J18
L14	GND	VCCINT/IO	J18
L15	GND	VCCINT/IO	K18
L22	GND	VCCINT/IO	K9
L5	GND	VCCINT/IO	L9
M1	GND	VCCINT/IO	P17
M12	GND	VCCINT/IO	R19
M13	GND	VCCINT/IO	R8
M14	GND	VCCINT/IO	T18
M26	GND	VCCINT/IO	T8
N11	GND	VCCINT/IO	T9
N12	GND	VCCINT/IO	U18
N13	GND	VCCINT/IO	U9
N14	GND	VCCINT/IO	V10
N15	GND	VCCINT/IO	V18
N16	GND	VCCINT/IO	V9
N19	GND	VCCINT/IO	W10
N8	GND	VCCINT/IO	W15
P11	GND	VCCINT/IO	W15
P12	GND	VCCINT/IO	W16
P13	GND	VCCINT/IO	W17
P14	GND	VCCINT/IO	W17
P15	GND	VCCINT/IO	W17
P16	GND	VCCINT/IO	W17
P19	GND	VCCINT/IO	W17
R1	GND	VCCINT/IO	Y7
R12	GND	VCCINT/IO	Y7
R13	GND	VCCINT/IO	Y7
R14	GND	VCCINT/IO	Y7
R15	GND	VCCINT/IO	Y7
R21	GND	VCCINT/IO	Y7
R26	GND	VCCINT/IO	Y7
T12	GND	VCCINT/IO	Y7
T13	GND	VCCINT/IO	Y7
T14	GND	VCCINT/IO	Y7
T15	GND	VCCINT/IO	Y7
T5	GND	VCCINT/IO	Y7
U13	GND	VCCINT/IO	Y7
U14	GND	VCCINT/IO	Y7
U19	GND	VCCINT/IO	Y7
W13	GND	VCCINT/IO	Y7
W14	GND	VCCINT/IO	Y7
W22	GND	VCCINT/IO	Y7
W5	GND	VCCINT/IO	Y7
Y17	GND	VCCINT/IO	Y7
Y9	GND	VCCINT/IO	Y7
J10	GND/IO	GND/IO	V13
J11	GND/IO	GND/IO	V11
J13	GND/IO	GND/IO	V11
J14	GND/IO	GND/IO	U17
J16	GND/IO	GND/IO	U16
J17	GND/IO	GND/IO	U16
K16	GND/IO	GND/IO	T17
K17	GND/IO	GND/IO	V14
L10	GND/IO	GND/IO	W12
N18	GND/IO	GND/IO	W12
N19	GND/IO	GND/IO	W19
P18	GND/IO	GND/IO	W8
P9	GND/IO	GND/IO	R17
T10	GND/IO	GND/IO	H8

These pins are connected to V12. Smaller FPGAs use them as general-purpose I/Os, but larger FPGAs use them as GND or Power. Therefore, they must be set as "As input tri-stated". If you forget to set the pins properly, large current will flow and damage FPGA and peripheral circuit.

These pins are connected to GND. Smaller FPGAs use them as general-purpose I/Os, but larger FPGAs use them as GND or Power. Therefore, they must be set as "As input tri-stated". If you forget to set the pins properly, large current will flow and damage FPGA and peripheral circuit.

BANK Group A

1	3.3V	3.3V	2	
3	3.3V	3.3V	4	
5	5V	5V	6	
8	5V	5V	8	
9	5V	5V	10	
10	5V	5V	10	
11	CK0	CK1	12	CLK1
13	RSV	RSV	14	
17	IOA0	IOA1	18	IOA32
19	IOA1	IOA2	20	IOA33
21	IOA2	IOA3	22	IOA34
23	IOA3	IOA4	24	IOA35
25	IOA4	IOA5	26	IOA36
27	IOA5	IOA6	28	IOA37
29	IOA6	IOA7	30	IOA38
31	IOA7	IOA8	32	IOA39
33	IOA8	IOA9	34	IOA40
35	IOA9	IOA10	36	IOA41
37	IOA10	IOA11	38	IOA42
39	IOA11	IOA12	40	IOA43
41	IOA12	IOA13	42	IOA44
43	IOA13	IOA14	44	IOA45
45	IOA14	IOA15	46	IOA46
47	IOA15	IOA16	48	IOA47
49	IOA16	IOA17	50	IOA48
51	IOA17	IOA18	52	IOA49
53	IOA18	IOA19	54	IOA50
55	IOA19	IOA20	56	IOA51
57	IOA20	IOA21	58	IOA52
59	IOA21	IOA22	60	IOA53
61	IOA22	IOA23	62	IOA54
63	IOA23	IOA24	64	IOA55
65	IOA24	IOA25	66	IOA56
67	IOA25	IOA26	68	IOA57
69	IOA26	IOA27	70	IOA58
71	IOA27	IOA28	72	IOA59
73	IOA28	IOA29	74	IOA60
75	IOA29	IOA30	76	IOA61
77	IOA30	IOA31	78	IOA62
79	IOA31	IOA32	80	IOA63

BANK Group B

1	3.3V	3.3V	2	
3	3.3V	3.3V	4	
5	5V	5V	6	
8	5V	5V	8	
9	5V	5V	10	
10	5V	5V	10	
11	CK0	CK1	12	CLK1
13	RSV	RSV	14	
17	IOB0	IOB1	18	IOB32
19	IOB1	IOB2	20	IOB33
21	IOB2	IOB3	22	IOB34
23	IOB3	IOB4	24	IOB35
25	IOB4	IOB5	26	IOB36
27	IOB5	IOB6	28	IOB37
29	IOB6	IOB7	30	IOB38
31	IOB7	IOB8	32	IOB39
33	IOB8	IOB9	34	IOB40
35	IOB9	IOB10	36	IOB41
37	IOB10	IOB11	38	IOB42
39	IOB11	IOB12	40	IOB43
41	IOB12	IOB13	42	IOB44
43	IOB13	IOB14	44	IOB45
45	IOB14	IOB15	46	IOB46
47	IOB15	IOB16	48	IOB47
49	IOB16	IOB17	50	IOB48
51	IOB17	IOB18	52	IOB49
53	IOB18	IOB19	54	IOB50
55	IOB19	IOB20	56	IOB51
57	IOB20	IOB21	58	IOB52
59	IOB21	IOB22	60	IOB53
61	IOB22	IOB23	62	IOB54
63	IOB23	IOB24	64	IOB55
65	IOB24	IOB25	66	IOB56
67	IOB25	IOB26	68	IOB57
69	IOB26	IOB27	70	IOB58
71	IOB27	IOB28	72	IOB59
73	IOB28	IOB29	74	IOB60
75	IOB29	IOB30	76	IOB61
77	IOB30	IOB31	78	IOB62
79	IOB31	IOB32	80	IOB63

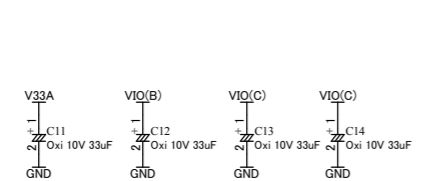
BANK Group C

1	3.3V	3.3V	2	
3	3.3V	3.3V	4	
5	5V	5V	6	
8	5V	5V	8	
9	5V	5V	10	
10	5V	5V	10	
11	CK0	CK1	12	CLK8
13	RSV	RSV	14	CLK9
17	IOC0	IOC1	18	IOC32
19	IOC1	IOC2	20	IOC33
21	IOC2	IOC3	22	IOC34
23	IOC3	IOC4	24	IOC35
25	IOC4	IOC5	26	IOC36
27	IOC5	IOC6	28	IOC37
29	IOC6	IOC7	30	IOC38
31	IOC7	IOC8	32	IOC39
33	IOC8	IOC9	34	IOC40
35	IOC9	IOC10	36	IOC41
37	IOC10	IOC11	38	IOC42
39	IOC11	IOC12	40	IOC43
41	IOC12	IOC13	42	IOC44
43	IOC13	IOC14	44	IOC45
45	IOC14	IOC15	46	IOC46
47	IOC15	IOC16	48	IOC47
49	IOC16	IOC17	50	IOC48
51	IOC17	IOC18	52	IOC49
53	IOC18	IOC19	54	IOC50
55	IOC19	IOC20	56	IOC51
57	IOC20	IOC21	58	IOC52
59	IOC21	IOC22	60	IOC53
61	IOC22	IOC23	62	IOC54
63	IOC23	IOC24	64	IOC55
65	IOC24	IOC25	66	IOC56
67	IOC25	IOC26	68	IOC57
69	IOC26	IOC27	70	IOC58
71	IOC27	IOC28	72	IOC59
73	IOC28	IOC29	74	IOC60
75	IOC29	IOC30	76	IOC61
77	IOC30	IOC31	78	IOC62
79	IOC31	IOC32	80	IOC63
81	IOE0	IOE1	82	IOE10
83	IOE1	IOE2	84	IOE11
85	IOE2	IOE3	86	IOE12
87	IOE3	IOE4	88	IOE13
89	IOE4	IOE5	90	IOE14
91	IOE5	IOE6	92	IOE15
93	IOE6	IOE7	94	IOE16
95	IOE7	IOE8	96	IOE17
97	IOE8	IOE9	98	IOE18
99	IOE9	IOE10	100	IOE19

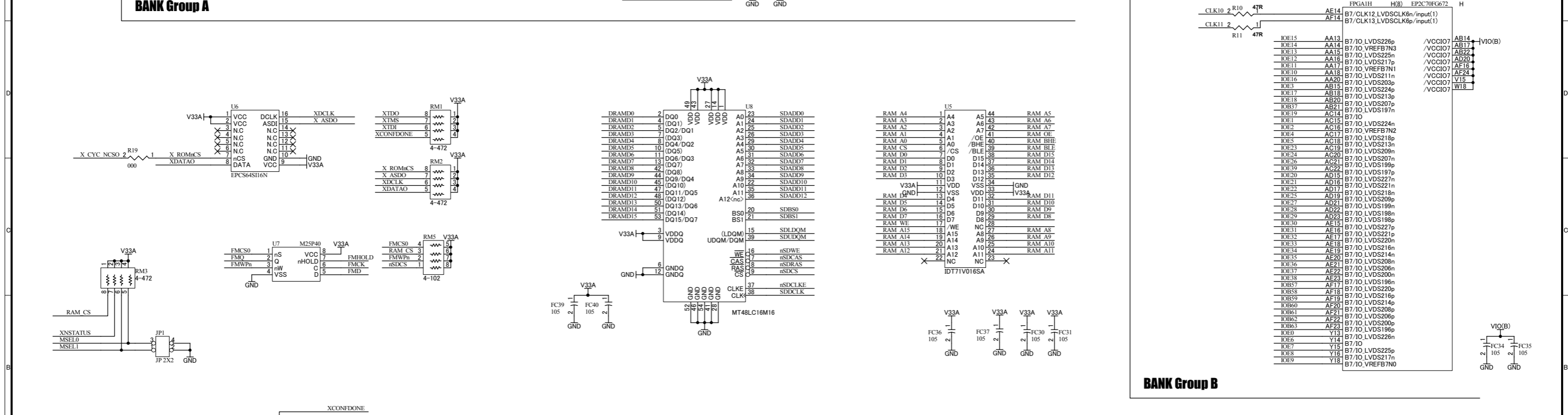
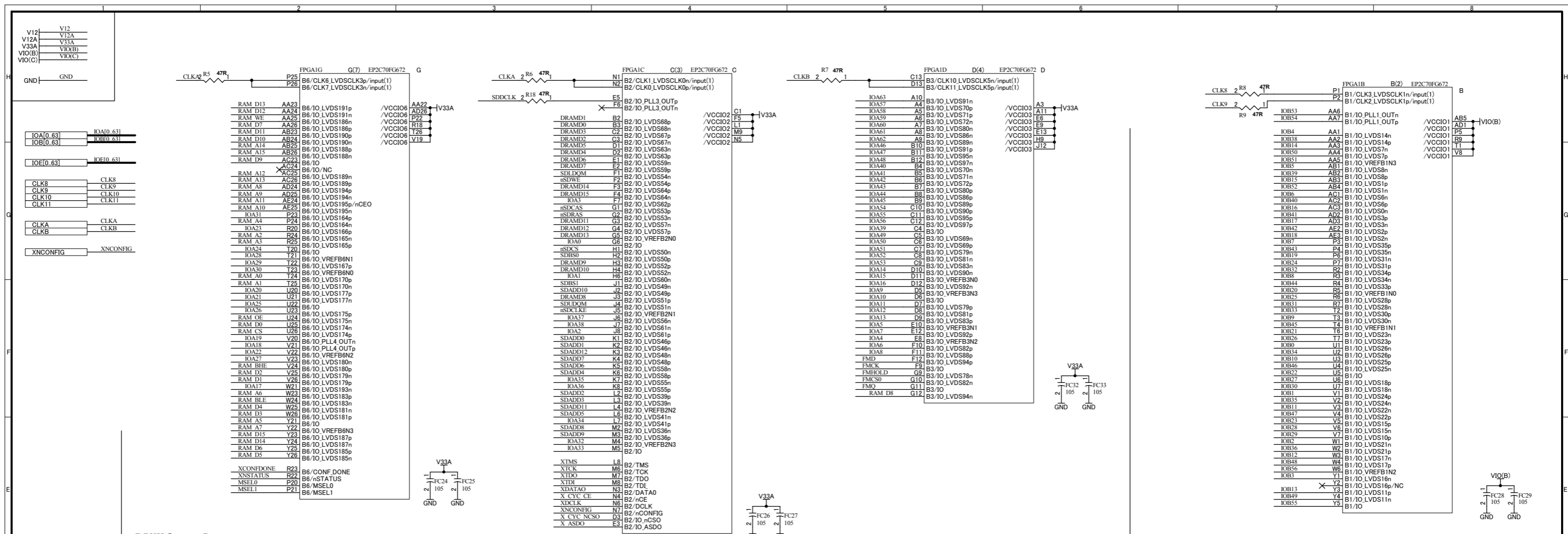
BANK Group D

1	3.3V	3.3V	2	
3	3.3V	3.3V	4	
5	5V	5V	6	
8	5V	5V	8	
9	5V	5V	10	
10	5V	5V	10	
11	CK0	CK1	12	CLK10
13	RSV	RSV	14	CLK11
17	IOD0	IOD1	18	IOD32
19	IOD1	IOD2	20	IOD33
21	IOD2	IOD3	22	IOD34
23	IOD3	IOD4	24	IOD35
25	IOD4	IOD5	26	IOD36
27	IOD5	IOD6	28	IOD37
29	IOD6	IOD7	30	IOD38
31	IOD7	IOD8	32	IOD39
33	IOD8	IOD9	34	IOD40
35	IOD9	IOD10	36	IOD41
37	IOD10	IOD11	38	IOD42
39	IOD11	IOD12	40	IOD43
41	IOD12	IOD13	42	IOD44
43	IOD13	IOD14	44	IOD45
45	IOD14	IOD15	46	IOD46
47	IOD15	IOD16	48	IOD47
49	IOD16	IOD17	50	IOD48
51	IOD17	IOD18	52	IOD49
53	IOD18	IOD19	54	IOD50
55	IOD19	IOD20	56	IOD51
57	IOD20	IOD21	58	IOD52
59	IOD21	IOD22	60	IOD53
61	IOD22	IOD23	62	IOD54
63	IOD23	IOD24	64	IOD55
65	IOD24	IOD25	66	IOD56
67	IOD25	IOD26	68	IOD57
69	IOD26	IOD27	70	IOD58
71	IOD27	IOD28	72	IOD59
73	IOD28	IOD29	74	IOD60
75	IOD29	IOD30	76	IOD61
77	IOD30	IOD31	78	IOD62
79	IOD31	IOD32	80	IOD63
81	IOE10	IOE11	82	IOE30
83	IOE11	IOE12	84	IOE31
85	IOE12	IOE13	86	IOE32
87	IOE13	IOE14	88	IOE33
89	IOE14	IOE15	90	IOE34
91	IOE15	IOE16	92	IOE35
93	IOE16	IOE17	94	IOE36
95	IOE17	IOE18	96	IOE37
97	IOE18	IOE19	98	IOE38
99	IOE19	IOE20	100	IOE39

(+) : BANK Group B



IOA10_631	IOA[0..63]
IOB10_631	IOB[0..63]
IOE10_631	IOE[0..63]
CLK8	CLK8
CLK9	CLK9
CLK10	CLK10
CLK11	CLK11
CLKA	CLKA
XNCONFIG	XNCONFIG
CLKB	CLKB
IOC10_631	IOC[0..63]
IOD10_631	IOD[0..63]



JTAG 10PIN

- 1 GND
- 2 VCC
- 3 TCK
- 4 TMS
- 5 TDI
- 6 nCEO
- 7 nCE
- 8 nCS
- 9 nCSO
- 10 GND

HEADER 5X2

- 1 GND
- 2 VCC
- 3 TCK
- 4 TMS
- 5 TDI
- 6 nCEO
- 7 nCE
- 8 nCS
- 9 nCSO
- 10 GND

JTAG 10PIN

- 1 GND
- 2 VCC
- 3 TCK
- 4 TMS
- 5 TDI
- 6 nCEO
- 7 nCE
- 8 nCS
- 9 nCSO
- 10 GND

HEADER 5X2

- 1 GND
- 2 VCC
- 3 TCK
- 4 TMS
- 5 TDI
- 6 nCEO
- 7 nCE
- 8 nCS
- 9 nCSO
- 10 GND

JTAG 10PIN

- 1 GND
- 2 VCC
- 3 TCK
- 4 TMS
- 5 TDI
- 6 nCEO
- 7 nCE
- 8 nCS
- 9 nCSO
- 10 GND

HEADER 5X2

- 1 GND
- 2 VCC
- 3 TCK
- 4 TMS
- 5 TDI
- 6 nCEO
- 7 nCE
- 8 nCS
- 9 nCSO
- 10 GND

