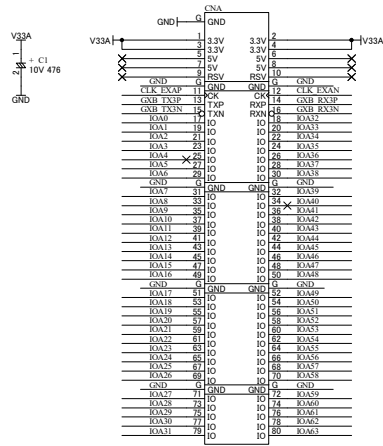
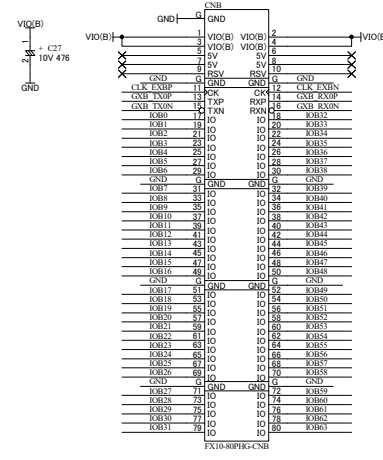


### Bank Group A



### Bank Group B



ACM108R3-SCH-C2.pdf

ALTERA Cyclone IV GX F484 FPGA board

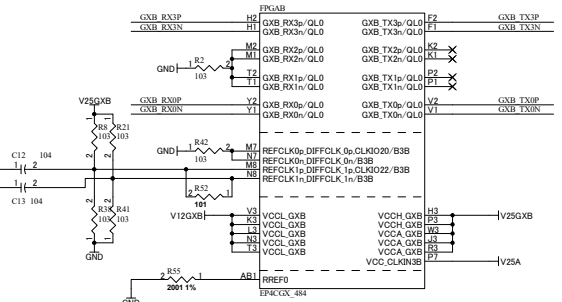
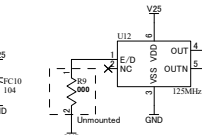
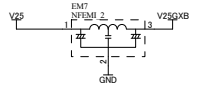
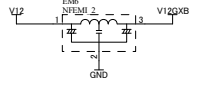
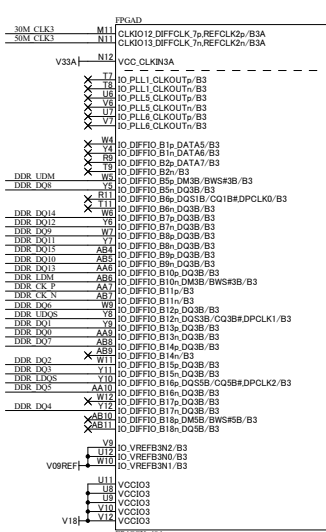
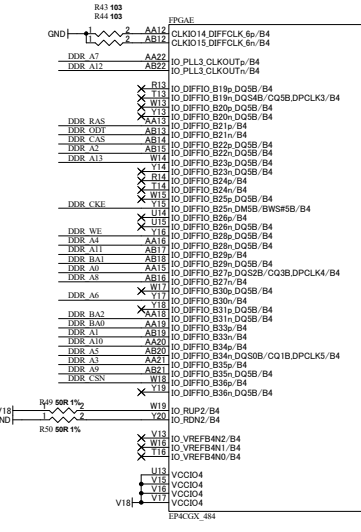
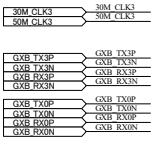
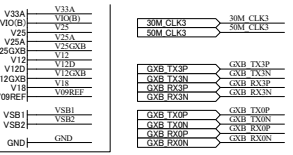
DOC No: **ACM-108**

FILE: ACM108C.sch DATE: 23-Mar-2020 10:21:05 Sheet: 1 / 3

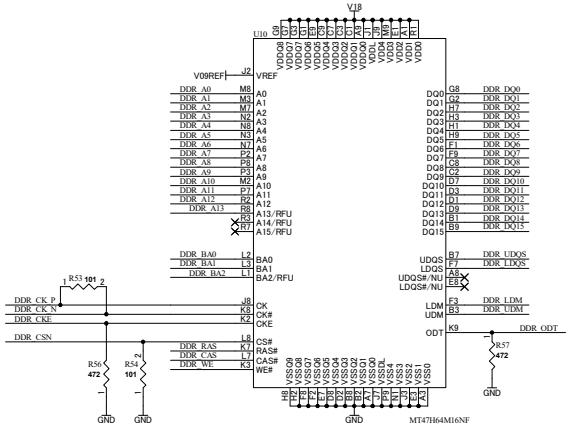
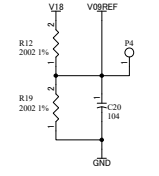
**C2**







LEFT EDGE for HI-SPEED TRASCEIVER



BOTTOM EDGE [BANK 3/4] for DDR2 SDRAM



ACM108R3-SCH-C2.pdf	
ALTERA Cyclone IV GX F484 FPGA board	
DOC No:	<b>ACM-108</b>
<b>C2</b>	
FILE: FPGA2.sch	DATE: 23-Mar-2020 10:21:07
Sheet	3 / 3