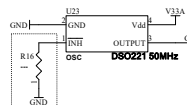
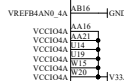


V33A

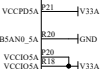
IOA10_491 IOA10_491



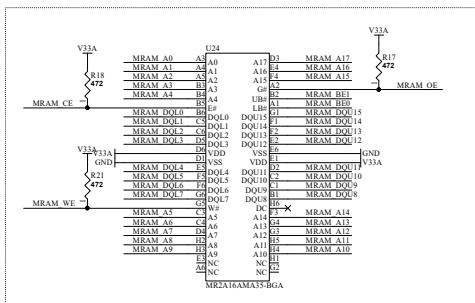
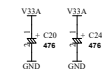
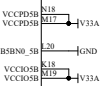
FPGA	
IOA14	AB13 DIFFIO_TX_B49wRZQ_0_4A
IOA15	AB15 DIFFIO_TX_B49wB_DQ_2_4A
IOA40	V13 DIFFIO_RX_B56wB_DQ_0_4A
IOA21	U13 DIFFIO_RX_B56wB_DQ_1_4A
X112	DIFFIO_RX_B51wB_DQ5_0_4A
X113	DIFFIO_RX_B51wB_DQ5_0_4A
IOA12	AA14 DIFFIO_TX_B52wB_DQ_3_4A
IOA13	AA13 DIFFIO_TX_B52wB_ODT_0_4A
IOA21	AB15 DIFFIO_TX_B53wB_ODT_1_4A
IOA20	AA15 DIFFIO_TX_B53wB_DQ_6_4A
IOA30	V14 DIFFIO_RX_B54wB_DQ_4_4A
IOA31	V15 DIFFIO_RX_B54wB_DQ_5_4A
X114	DIFFIO_RX_B55wCLK2w_4A
X115	DIFFIO_RX_B55wCLK2w_4A
IOA19	AB17 DIFFIO_TX_B56wB_DQ_7_4A
IOA18	AB18 DIFFIO_TX_B56wB_DM_0_4A
IOA25	AB20 DIFFIO_TX_B57wGND_4A
IOA24	AA20 DIFFIO_TX_B57wB_DQ_10_4A
IOA39	V16 DIFFIO_RX_B58wB_DQ_8_4A
IOA18	V17 DIFFIO_RX_B58wB_DQ_9_4A
IOA17	T14 DIFFIO_RX_B59wB_DQ5_1_4A
IOA16	U15 DIFFIO_RX_B59wB_DQ5_1_4A
IOA42	AA17 DIFFIO_TX_B60wB_DQ_11_4A
IOA43	AA18 DIFFIO_TX_B60wB_CKE_1_4A
IOA27	AA19 DIFFIO_TX_B61wB_CKE_0_4A
IOA26	AA20 DIFFIO_TX_B61wB_DQ_14_4A
IOA47	V20 DIFFIO_RX_B62wB_DQ_12_4A
IOA46	W19 DIFFIO_RX_B62wB_DQ_13_4A
IOA48	V18 DIFFIO_RX_B63wCLK3w_4A
IOA49	W18 DIFFIO_RX_B63wCLK3w_4A
MRAM_BEO	AB22 DIFFIO_TX_B64wB_DQ_15_4A
MRAM_OE	AA22 DIFFIO_TX_B64wB_DM_1_4A
MRAM_A1	V22 DIFFIO_TX_B65wGND_4A
MRAM_CE	W22 DIFFIO_TX_B65wB_DQ_16_4A
IOA45	V20 DIFFIO_RX_B66wB_DQ_16_4A
IOA44	V19 DIFFIO_RX_B66wB_DQ_17_4A
X114	DIFFIO_RX_B67wB_DQ5_2_4A
X115	DIFFIO_RX_B67wB_DQ5_2_4A
MRAM_A0	V21 DIFFIO_TX_B68wB_DQ_19_4A
MRAM_A1	W21 DIFFIO_TX_B68wB_BESTDEV_4A
MRAM_DQ12	U22 DIFFIO_TX_B69wB_DQ_4A
MRAM_DQ10	V21 DIFFIO_TX_B69wB_DQ_22_4A
X119	DIFFIO_RX_B70wB_DQ_20_4A
X118	DIFFIO_RX_B70wB_DQ_21_4A
MRAM_DQ18	U16 DIFFIO_RX_B71wGND_4A
MRAM_DQ18	U17 DIFFIO_RX_B71wGND_4A
MRAM_DQ1	U21 DIFFIO_TX_B72wB_DQ_23_4A
MRAM_A4	U20 DIFFIO_TX_B72wB_DM_2_4A



FPGA	
MRAM_DQ19	T20 DIFFIO_TX_R10wPR_REQUEST_5A
MRAM_DQ10	U19 DIFFIO_TX_R10wRZQ_1_5A
MRAM_BE1	T17 DIFFIO_RX_R2wCRC_ERROR_5A
MRAM_A3	U15 DIFFIO_RX_R2wINIT_DONE_5A
MRAM_DQ5	R22 DIFFIO_TX_R3wCvP_CONF_DONE_5A
MRAM_DQ1	U22 DIFFIO_TX_R3wCvP_CONF_DONE_5A
X119	DIFFIO_RX_R4w_5A
X118	DIFFIO_RX_R4w_5A
MRAM_DQ6	P22 DIFFIO_TX_R5wDEV_CLKw_5A
MRAM_DQ4	R21 DIFFIO_TX_R5wDEV_OE_5A
MRAM_A6	R17 DIFFIO_RX_R6wSPERSTL1_5A
MRAM_A5	R16 DIFFIO_RX_R6wSPERSTL0_5A
MRAM_A7	P19 DIFFIO_TX_R7w_5A
MRAM_A16	P18 DIFFIO_TX_R7w_5A
MRAM_A17	P17 DIFFIO_RX_R8w_5A
MRAM_DQ11	P16 DIFFIO_RX_R8w_5A



FPGA	
MRAM_DQ112	X116 DIFFIO_RX_R41wCLK6w_5B
X117	DIFFIO_RX_R41wCLK6w_5B
MRAM_WE	N21 DIFFIO_TX_R42w_5B
MRAM_A14	N20 DIFFIO_TX_R42w_5B
MRAM_DQ13	M18 DIFFIO_RX_R43w_5B
X119	DIFFIO_RX_R43w_5B
MRAM_A11	L20 DIFFIO_TX_R44wFPLL_BR_CLKOUT1_FPLL_BR_CLKOUTw_5B
MRAM_A15	M20 DIFFIO_TX_R44wFPLL_BR_CLKOUT0_FPLL_BR_CLKOUTw_FPLL_BR_FB_5B
MRAM_DQ15	L17 DIFFIO_RX_R45w_5B
MRAM_A15	K21 DIFFIO_RX_R45w_5B
MRAM_DQ7	M21 DIFFIO_TX_R46w_5B
MRAM_DQ14	M20 DIFFIO_TX_R46w_5B
MRAM_A9	L18 DIFFIO_RX_R47w_5B
MRAM_A8	L19 DIFFIO_RX_R47w_5B
MRAM_A10	K22 DIFFIO_TX_R48w_5B
MRAM_A13	K21 DIFFIO_TX_R48w_5B



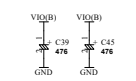
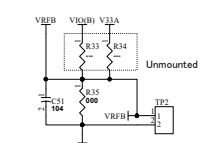
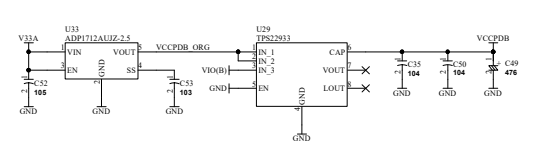
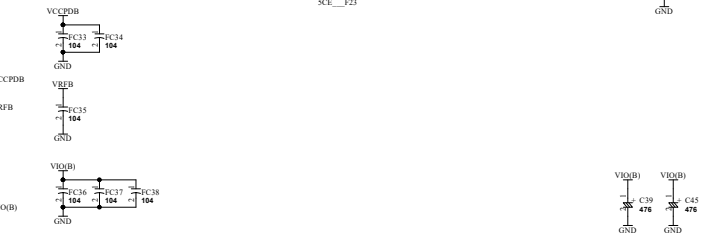
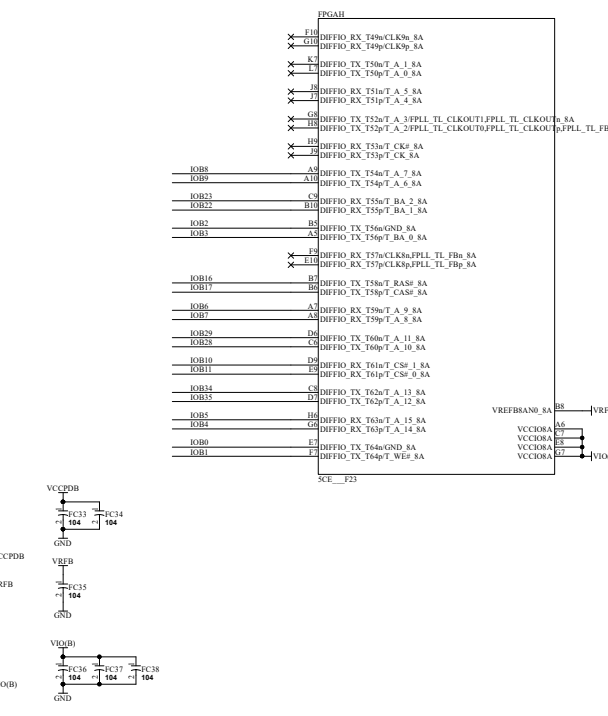
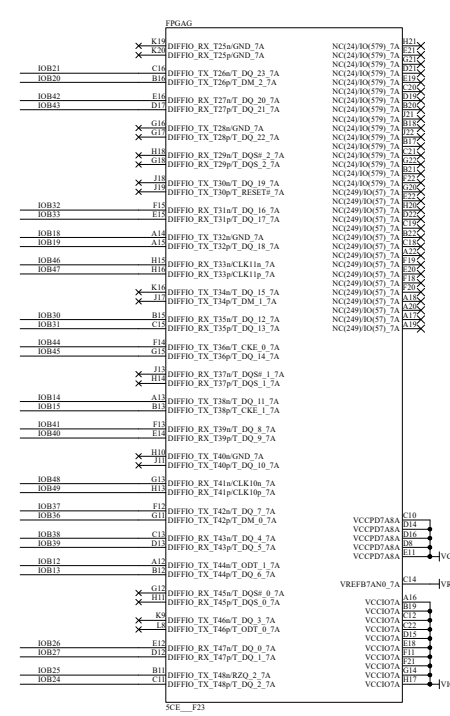
Unmounted

ACM027R2-SCH-A2.pdf



DSN	TITLE	Altera Cyclone V FPGA board
DOC No.	ACM-027Z	A2
FILE	IO_A_SchDoc	DATE: 2020/07/01 16:55:12 Sheet 2 / 4

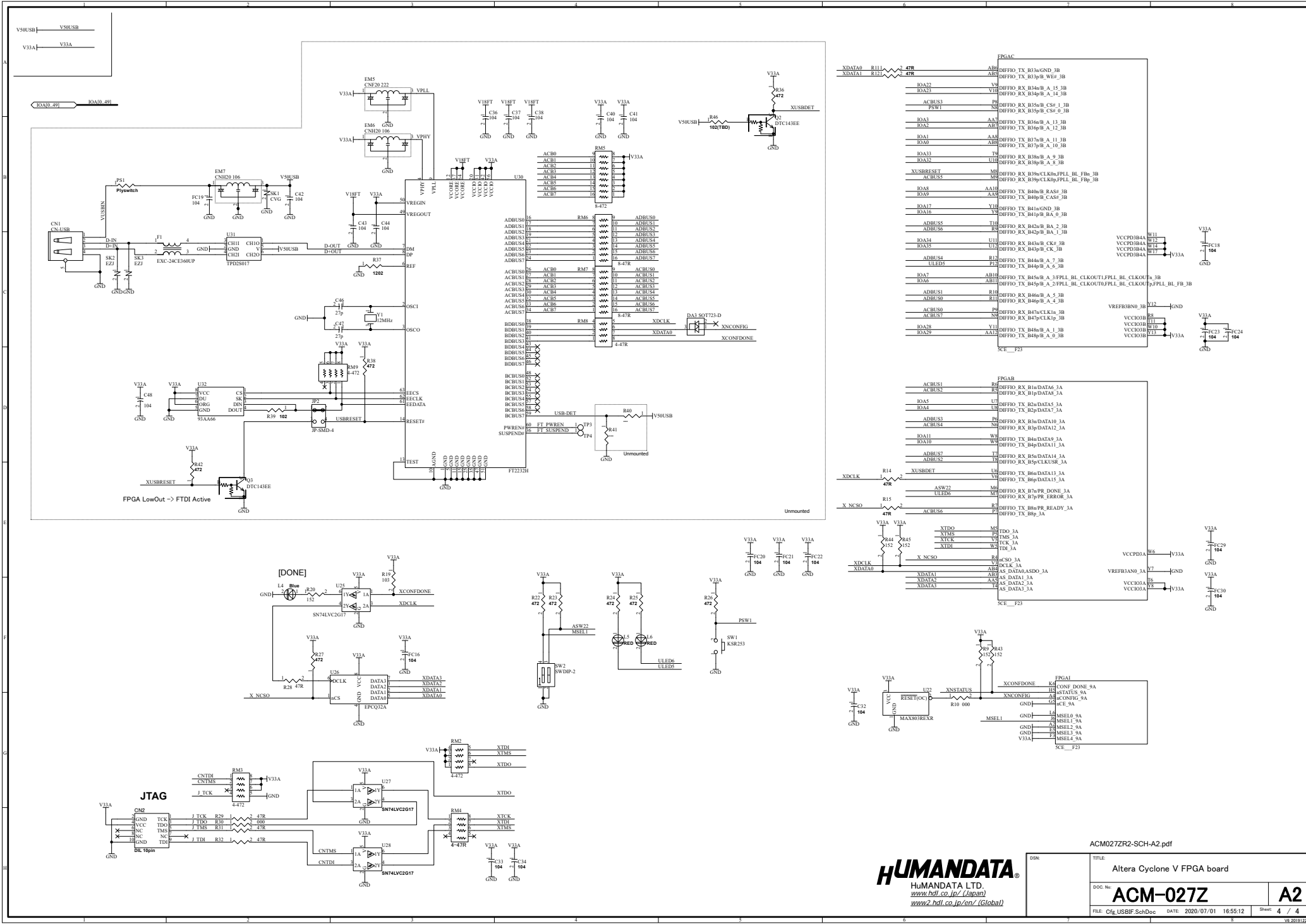
VS-20191222



ACM027ZR2-SCH-A2.pdf



DSN	TITLE	Altera Cyclone V FPGA board	
DOC No.	ACM-027Z		A2
FILE	IO_B.SchDoc	DATE	2020/07/01 16:55:12
Sheet	3 / 4		VB-20191222



FPGAAC

XDATA0	R11	2	47R	AB6	DIFFIO_TX_B3toGND_3B
XDATA1	R12	2	47R	AB5	DIFFIO_TX_B3toB_WE6_3B
IOA27	VM			AB6	DIFFIO_RX_B34toA_15_3B
IOA33	VM			AB5	DIFFIO_RX_B34toA_14_3B
ACBUS3	PSW1	PS		AB6	DIFFIO_RX_B35toCsr_1_3B
IOA3	IOA2	AA7		AB6	DIFFIO_RX_B35toCsr_3_3B
IOA1	IOA2	AA7		AB5	DIFFIO_TX_B36toA_13_3B
IOA1	IOA2	AA8		AB5	DIFFIO_TX_B36toA_12_3B
IOA1	IOA2	AA8		AB6	DIFFIO_TX_B37toA_11_3B
IOA33	IOA2	AA8		AB5	DIFFIO_TX_B37toA_10_3B
IOA32	IOA2	AA8		AB6	DIFFIO_RX_B38toA_9_3B
IOA32	IOA2	AA9		AB6	DIFFIO_RX_B38toA_8_3B
XUSBRESET	ACBUS5	MA9		AB6	DIFFIO_RX_B39toCLK0toFPLL_BL_FB_3B
IOA8	AA10	AA9		AB6	DIFFIO_RX_B39toCLK0toFPLL_BL_FB_3B
IOA9	AA9	AA9		AB6	DIFFIO_TX_B40toB_RAS8_3B
IOA17	VM			AB6	DIFFIO_TX_B40toB_CAS1_3B
IOA16	VM			AB5	DIFFIO_TX_B41toB_BA_0_3B
ADBUS0	U10			AB6	DIFFIO_RX_B42toB_BA_2_3B
ADBUS0	ADBUS0	BA9		AB6	DIFFIO_RX_B42toB_BA_1_3B
IOA34	U11			AB6	DIFFIO_RX_B44toB_CK_3B
IOA15	U11			AB5	DIFFIO_RX_B44toB_CK_3B
ADBUS4	R12			AB6	DIFFIO_TX_B44toA_7_3B
ULED5	PI2			AB6	DIFFIO_TX_B44toA_6_3B
IOA7	PI2			AB6	DIFFIO_TX_B45toA_3toFPLL_BL_CLKOUT_3B
IOA6	AB10			AB6	DIFFIO_TX_B45toA_2toFPLL_BL_CLKOUT_3B
ADBUS1	R10			AB6	DIFFIO_RX_B46toA_5_3B
ADBUS0	R10			AB5	DIFFIO_RX_B46toA_5_3B
ACBUS0	P9			AB6	DIFFIO_RX_B47toCLK_3B
ACBUS7	N9			AB6	DIFFIO_RX_B47toCLK_3B
IOA28	Y11			AB6	DIFFIO_TX_B48toB_1_3B
IOA29	AA12			AB6	DIFFIO_TX_B48toB_0_3B

FPGAAB

ACBUS1	R6			AB6	DIFFIO_RX_B1toDATA6_3A
ACBUS2	U7			AB6	DIFFIO_RX_B1toDATA3_3A
IOA5	U7			AB6	DIFFIO_TX_R2toDATA5_3A
IOA4	U8			AB6	DIFFIO_TX_R2toDATA7_3A
ADBUS3	PS			AB6	DIFFIO_RX_B3toDATA10_3A
ACBUS4	N6			AB6	DIFFIO_RX_B3toDATA12_3A
IOA11	WS			AB6	DIFFIO_TX_B4toDATA9_3A
IOA10	WS			AB6	DIFFIO_TX_B4toDATA11_3A
ADBUS7	U9			AB6	DIFFIO_RX_B5toDATA14_3A
ADBUS2	U9			AB6	DIFFIO_RX_B5toDATA13_3A
XUSBDET	U6			AB6	DIFFIO_TX_B6toDATA13_3A
ASW22	M6			AB6	DIFFIO_RX_B7toPR_DONE_3A
ULED6	M6			AB6	DIFFIO_RX_B7toPR_ERROR_3A
X_NCS0	R7			AB6	DIFFIO_TX_B8toPR_READY_3A
	P7			AB6	DIFFIO_TX_B8toPR_READY_3A

FPGA1

VCC	U22			AB6	CONF_DONE_9A
GND				AB6	STATUS_9A
GND				AB6	ACONFIG_9A
GND				AB6	ACE_9A
GND				AB6	MSEL0_9A
GND				AB6	MSEL1_9A
GND				AB6	MSEL2_9A
GND				AB6	MSEL3_9A
V33A				AB6	MSEL4_9A

