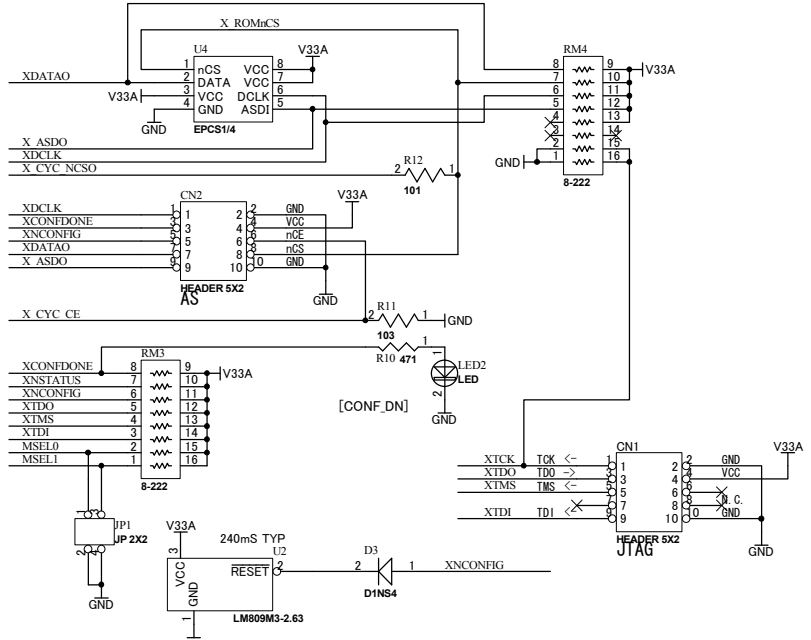
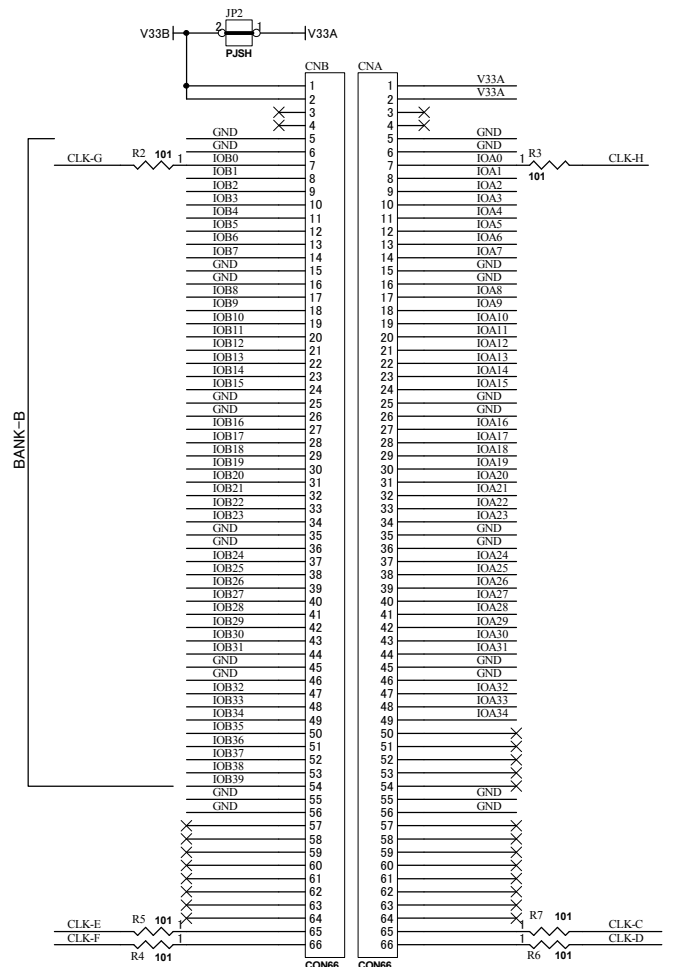
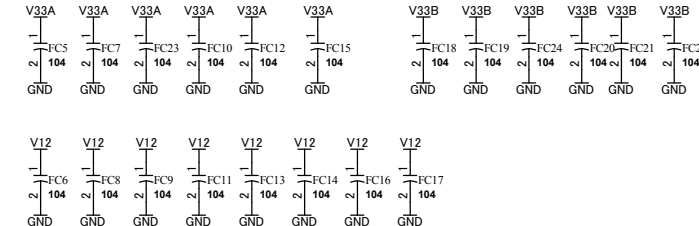


Signal Name	Pin	Signal Name	Pin	Signal Name	Pin	Signal Name	Pin
X_ASDO	1	IO/LVDS10n(LVDS18n)	144	IOB0	144	IOB0	144
X_CYC_NCSO	2	IO/nCSO	143	IOB1	143	IOB1	143
IOA0	3	IO/LVDS9p/CRC_ERROR(LVDS15p/CRC_ERROR)	142	IOB2	142	IOB2	142
IOA1	4	IO/LVDS9n/CLKUSR(LVDS15n/CLKUSR)	141	IOB3	141	IOB3	141
V33A	5	VCCIO4	140	IOB4	140	IOB4	140
	6	GND	139	IOB5	139	IOB5	139
IOA2	7	IO/VREFB1N0	138	IOB6	138	IOB6	138
IOA3	8	VCCIO2	137	IOB7	137	IOB7	137
IOA4	9	IO/LVDS5p/IO/LVDS8p	136	IOB8	136	IOB8	136
XTDO	10	IO/LVDS5n/IO/LVDS8n	135	IOB9	135	IOB9	135
XTMS	11	VCCIO1	134	IOB10	134	IOB10	134
XTDI	12	GND	133	IOB11	133	IOB11	133
XTDI	13	IO/VREFB2N1	132	IOB12	132	IOB12	132
XDATA0	14	IO/VREFB2N1	131	IOB13	131	IOB13	131
XDCLK	15	VCCINT	130	IOB14	130	IOB14	130
XTD	16	GND	129	IOB15	129	IOB15	129
XCLK	17	IO(LVDS26p)	128	IOB16	128	IOB16	128
XTD	18	GND	127	IOB17	127	IOB17	127
XTD	19	VCCIO2	126	IOB18	126	IOB18	126
XTD	20	IO/LVDS21p(LVDS29n)	125	IOB19	125	IOB19	125
XTD	21	GND	124	IOB20	124	IOB20	124
XTD	22	VCCINT	123	IOB21	123	IOB21	123
XTD	23	GND	122	IOB22	122	IOB22	122
XTD	24	IO/LVDS24p(LVDS32p)	121	IOB23	121	IOB23	121
XTD	25	IO/LVDS24n(LVDS32n)	120	IOB24	120	IOB24	120
XTD	26	IO/VREFB2N0	119	IOB25	119	IOB25	119
XTD	27	IO/LVDS3p(VCCINT)	118	IOB26	118	IOB26	118
XTD	28	IO/LVDS3n(GND)	117	IOB27	117	IOB27	117
XTD	29	IO/VREFB1N1	116	IOB28	116	IOB28	116
XTD	30	VCCIO1	115	IOB29	115	IOB29	115
XTD	31	IO	114	IOB30	114	IOB30	114
XTD	32	IO/PLL1_OUTp	113	IOB31	113	IOB31	113
XTD	33	IO/PLL1_OUTn	112	IOB32	112	IOB32	112
XTD	34	GND	111	IOB33	111	IOB33	111
XTD	35	VCCD_PLL1	110	IOB34	110	IOB34	110
XTD	36	GND	109	IOB35	109	IOB35	109
XTD	37	VCCA_PLL1	108	IOB36	108	IOB36	108
XTD	38	GND	107	IOB37	107	IOB37	107
XTD	39	VCCD_PLL2	106	IOB38	106	IOB38	106
XTD	40	GND	105	IOB39	105	IOB39	105
XTD	41	IO/LVDS58n/DEV_OE(LVDS77n/DEV_OE)	104	IOB40	104	IOB40	104
XTD	42	IO/LVDS58p(LVDS77p/C42)	103	IOB41	103	IOB41	103
XTD	43	IO/LVDS57p(LVDS76p)	102	IOB42	102	IOB42	102
XTD	44	IO/LVDS57n(LVDS76n)	101	IOB43	101	IOB43	101
XTD	45	IO/LVDS56p(LVDS75p)	100	IOB44	100	IOB44	100
XTD	46	IO/LVDS56n(LVDS75n)	99	IOB45	99	IOB45	99
XTD	47	VCCIO4	98	IOB46	98	IOB46	98
XTD	48	IO/LVDS55p(LVDS74p)	97	IOB47	97	IOB47	97
XTD	49	IO/LVDS55n(LVDS74n)	96	IOB48	96	IOB48	96
XTD	50	GND	95	IOB49	95	IOB49	95
XTD	51	VCCINT	94	IOB50	94	IOB50	94
XTD	52	IO/VREFB4N1	93	IOB51	93	IOB51	93
XTD	53	IO/LVDS49p(LVDS70p)	92	IOB52	92	IOB52	92
XTD	54	IO/LVDS49n(LVDS70n)	91	IOB53	91	IOB53	91
XTD	55	VCCIO4	90	IOB54	90	IOB54	90
XTD	56	IO/LVDS53p(LVDS68p)	89	IOB55	89	IOB55	89
XTD	57	GND	88	IOB56	88	IOB56	88
XTD	58	IO/LVDS52p(LVDS67p)	87	IOB57	87	IOB57	87
XTD	59	IO/LVDS52n(LVDS67n)	86	IOB58	86	IOB58	86
XTD	60	IO/LVDS51p(LVDS66p)	85	IOB59	85	IOB59	85
XTD	61	IO/LVDS51n(LVDS66n)	84	IOB60	84	IOB60	84
XTD	62	VCCINT	83	IOB61	83	IOB61	83
XTD	63	IO/VREFB4N0	82	IOB62	82	IOB62	82
XTD	64	IO/LVDS49p(LVDS60p)	81	IOB63	81	IOB63	81
XTD	65	IO/LVDS46n(LVDS60n)	80	IOB64	80	IOB64	80
XTD	66	VCCIO4	79	IOB65	79	IOB65	79
XTD	67	IO/LVDS45n(LVDS59n)	78	IOB66	78	IOB66	78
XTD	68	GND	77	IOB67	77	IOB67	77
XTD	69	IO/LVDS44p(LVDS58p)	76	IOB68	76	IOB68	76
XTD	70	IO/LVDS44n(LVDS58n)	75	IOB69	75	IOB69	75
XTD	71	IO/LVDS43p(LVDS57p)	74	IOB70	74	IOB70	74
XTD	72	IO/LVDS43n(LVDS57n)	73	IOB71	73	IOB71	73

IOA11	41	IO/LVDS58n/DEV_OE(LVDS77n/DEV_OE)	104	IOB23	104	IOB23	104
IOA12	42	IO/LVDS58p(LVDS77p/C42)	103	IOB24	103	IOB24	103
IOA13	43	IO/LVDS57p(LVDS76p)	102	IOB25	102	IOB25	102
IOA14	44	IO/LVDS57n(LVDS76n)	101	IOB26	101	IOB26	101
IOA15	45	IO/LVDS56p(LVDS75p)	100	IOB27	100	IOB27	100
IOA16	46	IO/LVDS56n(LVDS75n)	99	IOB28	99	IOB28	99
IOA17	47	VCCIO4	98	IOB29	98	IOB29	98
IOA18	48	IO/LVDS55p(LVDS74p)	97	IOB30	97	IOB30	97
IOA19	49	IO/LVDS55n(LVDS74n)	96	IOB31	96	IOB31	96
IOA20	50	GND	95	IOB32	95	IOB32	95
IOA21	51	VCCINT	94	IOB33	94	IOB33	94
IOA22	52	IO/VREFB4N1	93	IOB34	93	IOB34	93
IOA23	53	IO/LVDS49p(LVDS70p)	92	IOB35	92	IOB35	92
IOA24	54	IO/LVDS49n(LVDS70n)	91	IOB36	91	IOB36	91
IOA25	55	VCCIO4	90	IOB37	90	IOB37	90
IOA26	56	IO/LVDS53p(LVDS68p)	89	IOB38	89	IOB38	89
IOA27	57	GND	88	IOB39	88	IOB39	88
IOA28	58	IO/LVDS52p(LVDS67p)	87	IOB40	87	IOB40	87
IOA29	59	IO/LVDS52n(LVDS67n)	86	IOB41	86	IOB41	86
IOA30	60	IO/LVDS51p(LVDS66p)	85	IOB42	85	IOB42	85
IOA31	61	IO/LVDS51n(LVDS66n)	84	IOB43	84	IOB43	84
IOA32	62	VCCINT	83	IOB44	83	IOB44	83
IOA33	63	IO/VREFB4N0	82	IOB45	82	IOB45	82
IOA34	64	IO/LVDS49p(LVDS60p)	81	IOB46	81	IOB46	81
IOA35	65	IO/LVDS46n(LVDS60n)	80	IOB47	80	IOB47	80
IOA36	66	VCCIO4	79	IOB48	79	IOB48	79
IOA37	67	IO/LVDS45n(LVDS59n)	78	IOB49	78	IOB49	78
IOA38	68	GND	77	IOB50	77	IOB50	77
IOA39	69	IO/LVDS44p(LVDS58p)	76	IOB51	76	IOB51	76
IOA40	70	IO/LVDS44n(LVDS58n)	75	IOB52	75	IOB52	75
IOA41	71	IO/LVDS43p(LVDS57p)	74	IOB53	74	IOB53	74
IOA42	72	IO/LVDS43n(LVDS57n)	73	IOB54	73	IOB54	73



【重要】
 (*)
 EP2C5の時、これらのピンは、GNDまたはVCCINTに固定されています。
 設計データではダメージ入力としてください。



HUMAN DATA

2007/05/14

HUMAN DATA LTD.
 OSAKA JAPAN
 www.hdl.co.jp

CycloneII Bread Board(PQ144)

DOC. No. ACM-015

Date: 14-May-2007 11:39:18 File: ACM015A.sch Sheet 1 of 1